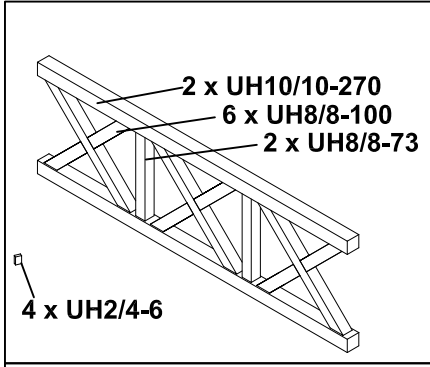



Brüstung aus Andreaskreuzen für 4-Eck Pavillon

Parapet with St Andrew's cross design for pavillion

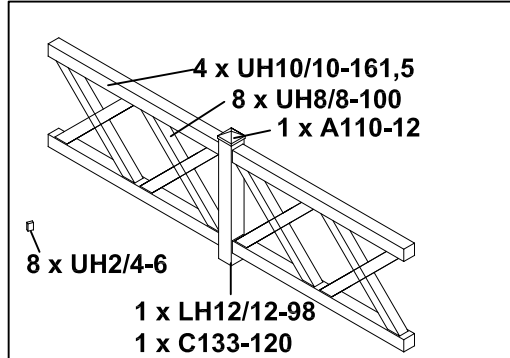


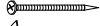






20938 5 (Gr. 1)

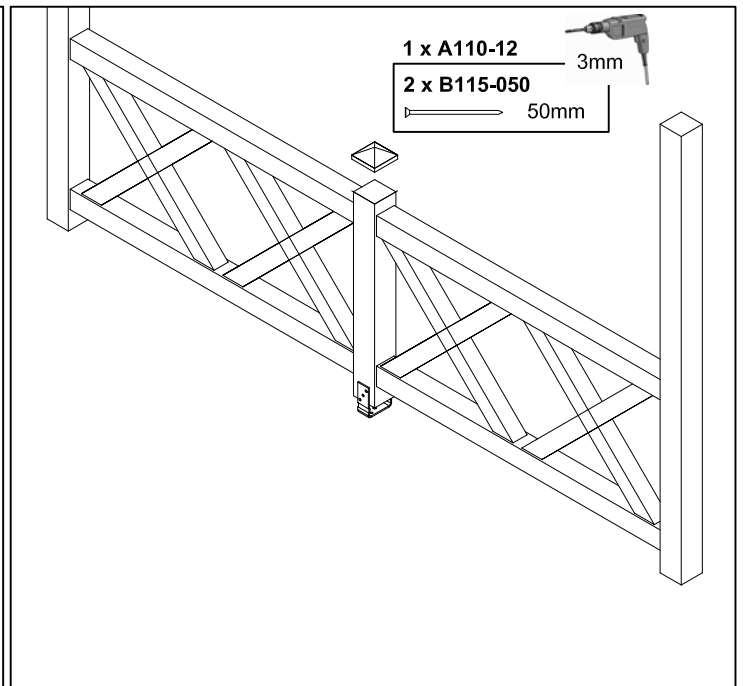
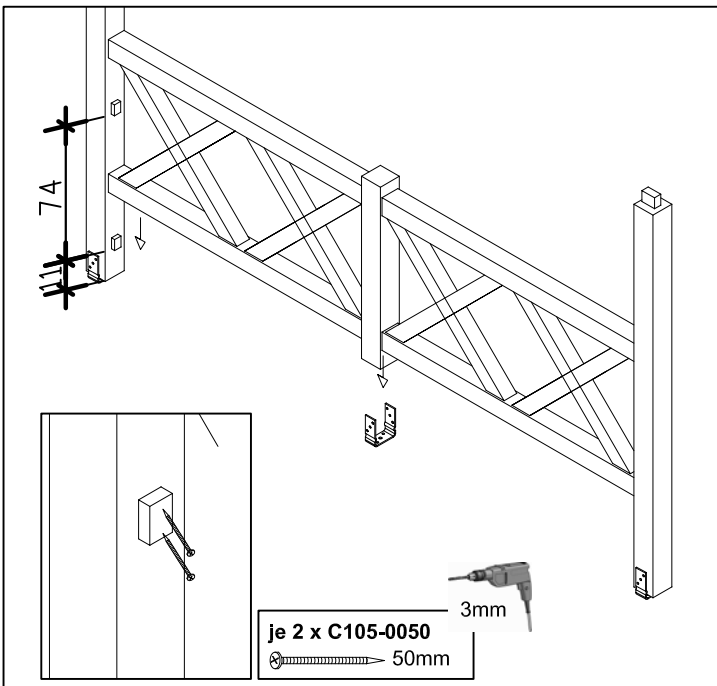
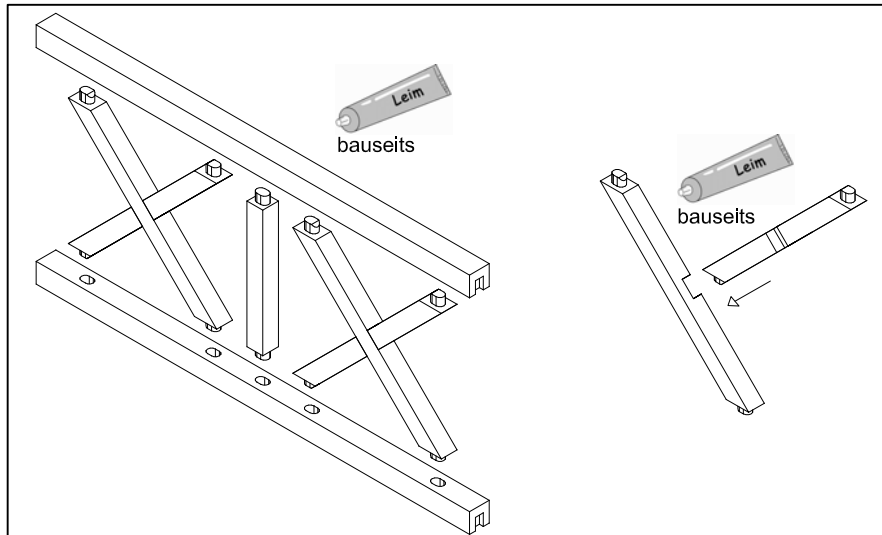


14 x C105-0050 

21005 3 (Gr. 2)



22 x C105-0050 
 1 x C110-014 
 5 x A108-16 
 1 x C110-M8 
 2 x B115-050 
 2 x C111-3 
 4 x L208-070 

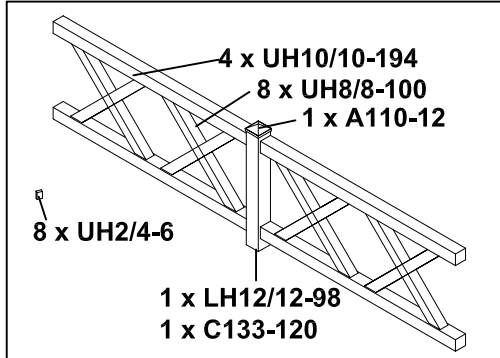


Brüstung aus Andreaskreuzen für 4-Eck Pavillon

Parapet with St Andrew's cross design for pavillion

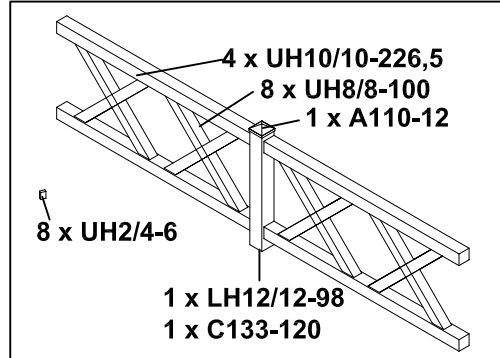


210060 (Gr. 3)

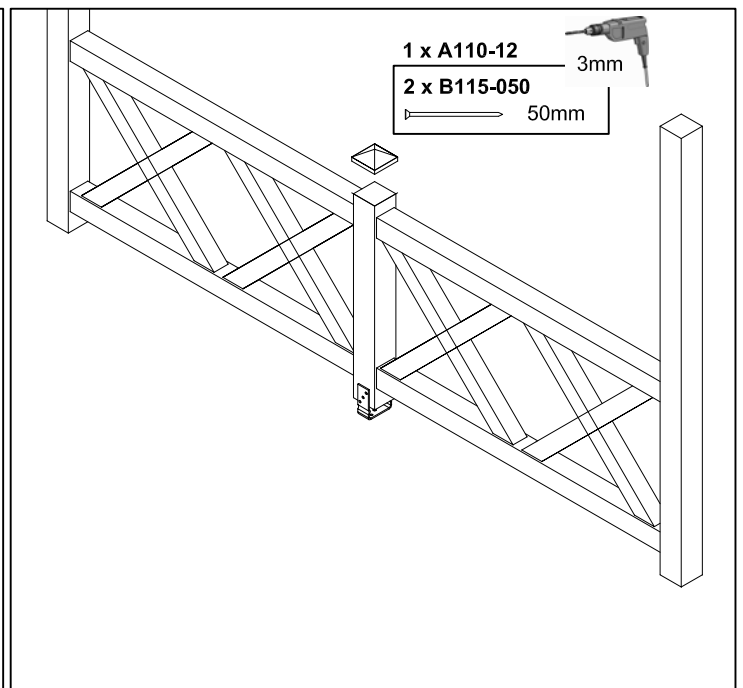
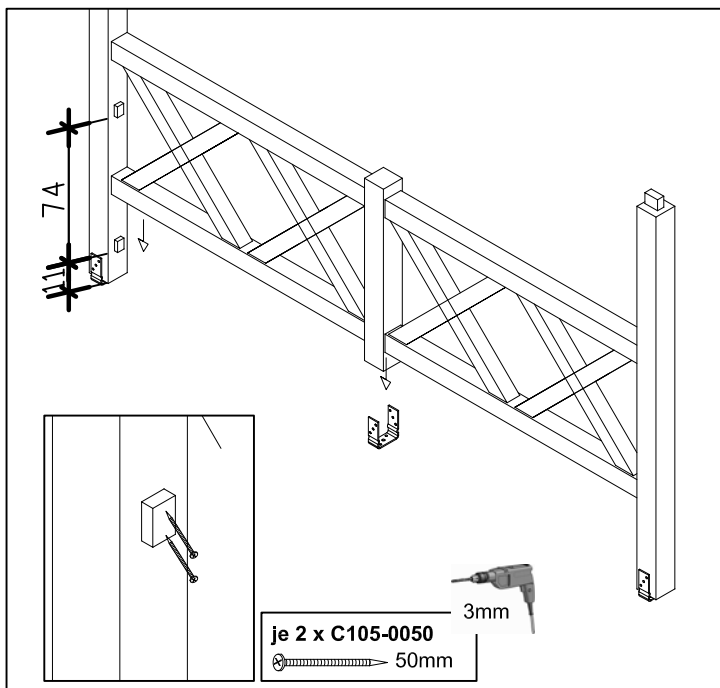
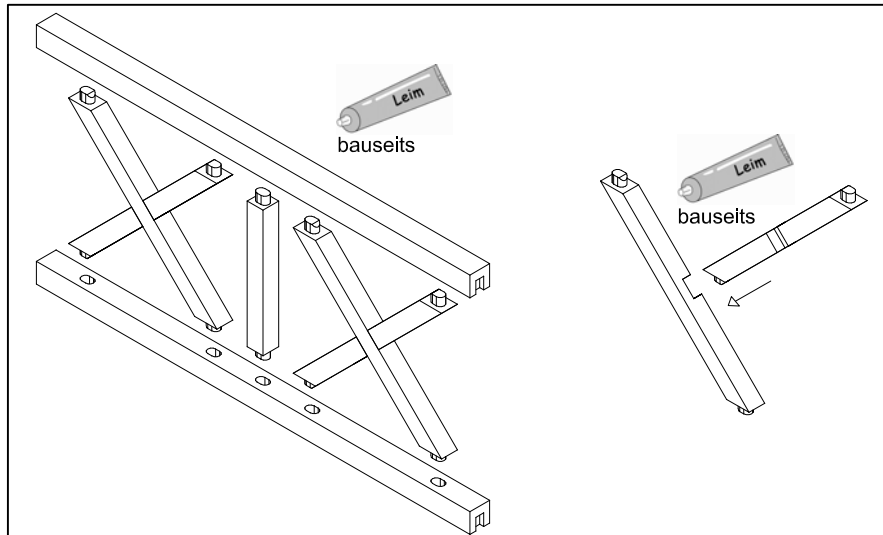


- 22 x C105-0050
- 1 x C110-014
- 5 x A108-16
- 1 x C110-M8
- 2 x B115-050
- 2 x C111-3
- 4 x L208-070

210077 (Gr. 4)



- 22 x C105-0050
- 1 x C110-014
- 5 x A108-16
- 1 x C110-M8
- 2 x B115-050
- 2 x C111-3
- 4 x L208-070



Brüstung aus Andreaskreuzen für 4-Eck Pavillon

Parapet with St Andrew's cross design for pavillion



210008

	<p>14 x C105-0050 50mm</p> <p>2 x B115-050 50mm</p>	<p>2 x C111-3 </p>
	<p>Pfostenplan / Postsplan</p>	<p>6mm </p> <p>1 x C110-014 </p> <p>4 x L208-070 </p> <p>5 x A108-16 </p> <p>1 x C110-M8 </p>

Leim
bauseits

Leim
bauseits

<p>je 2 x C105-0050 50mm 3mm</p>	<p>3mm 1 x A110-12</p> <p>2 x B115-050 50mm</p>
-----------------------------------	---

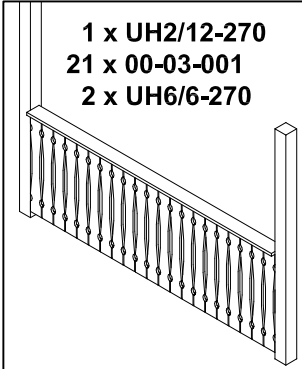
Brüstung aus Balkenschalung für 4-Eck-Pavillon

Parapet with ceiling boards for pavillion



21040 4 (Gr. 1)

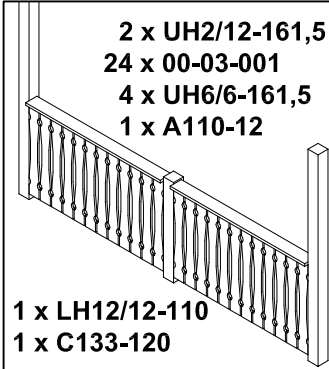
1 x UH2/12-270
21 x 00-03-001
2 x UH6/6-270



88 x C105-0040
4 x C105-0100

21041 1 (Gr. 2)

2 x UH2/12-161,5
24 x 00-03-001
4 x UH6/6-161,5
1 x A110-12

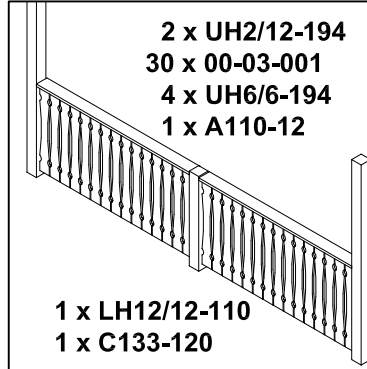


1 x LH12/12-110
1 x C133-120

108 x C105-0040
16 x C105-0100
2 x B115-050
1 x C110-014
4 x L208-070
5 x A108-16
1 x C110-M8

21042 8 (Gr. 3)

2 x UH2/12-194
30 x 00-03-001
4 x UH6/6-194
1 x A110-12

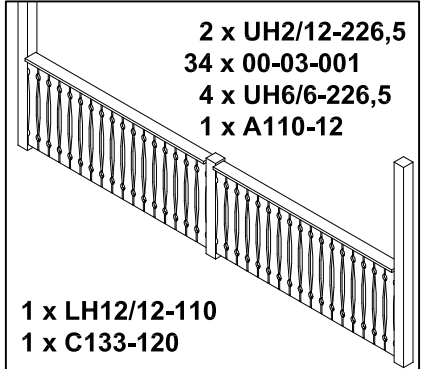


1 x LH12/12-110
1 x C133-120

136 x C105-0040
16 x C105-0100
2 x B115-050
1 x C110-014
4 x L208-070
5 x A108-16
1 x C110-M8

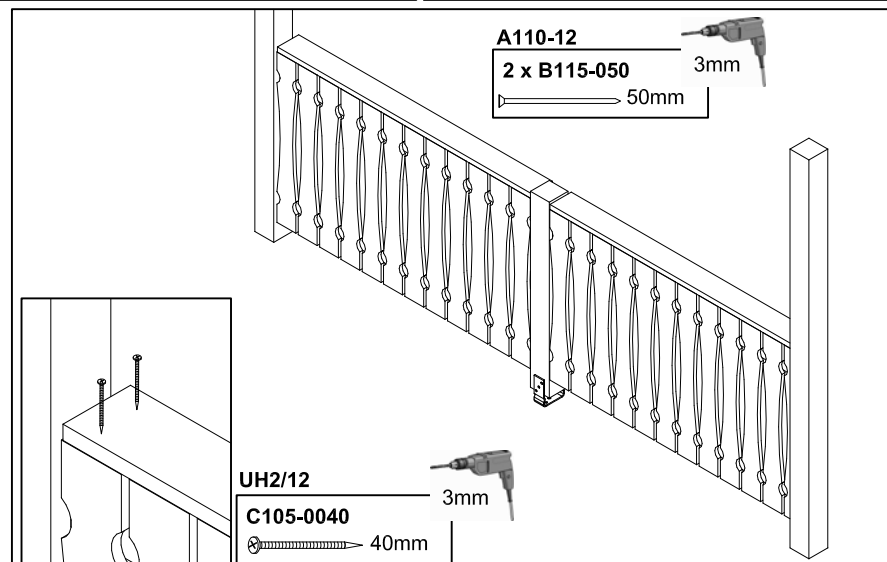
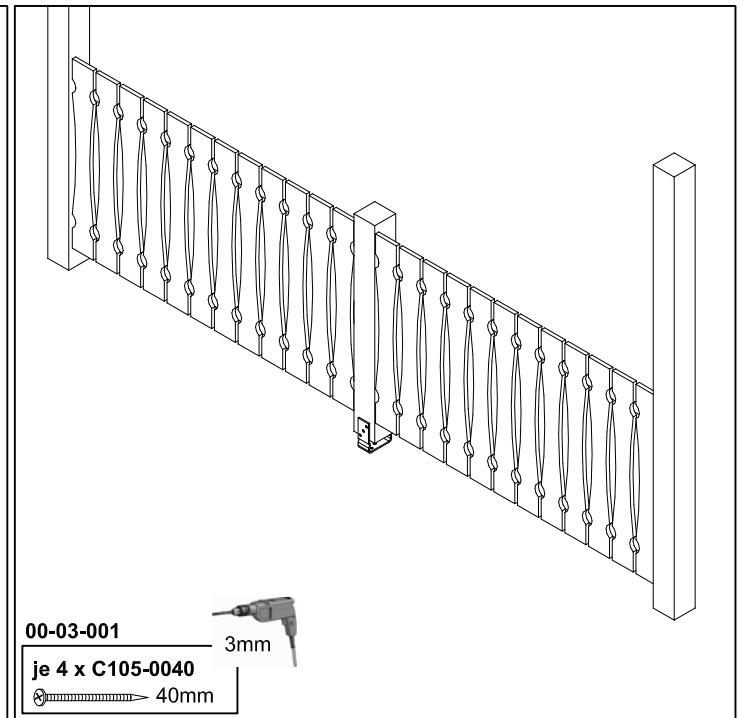
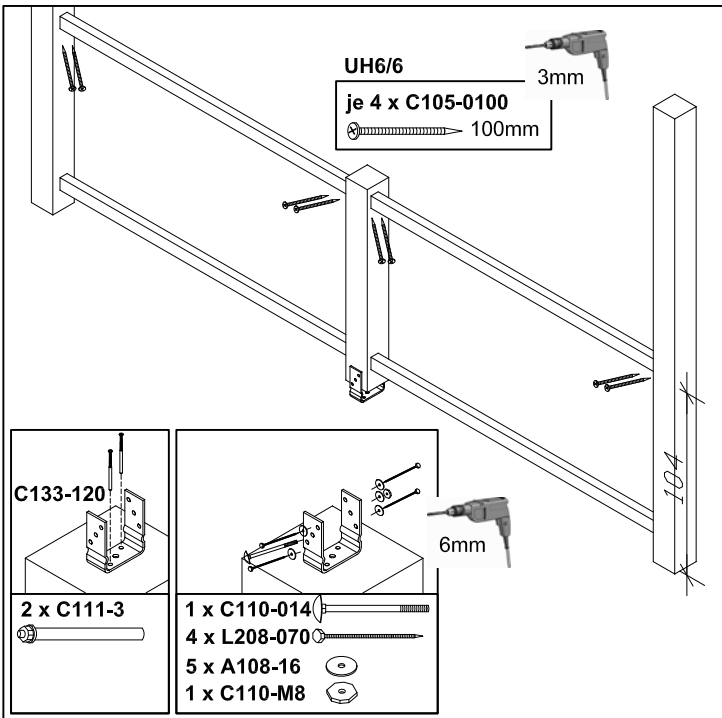
21043 5 (Gr. 4)

2 x UH2/12-226,5
34 x 00-03-001
4 x UH6/6-226,5
1 x A110-12



1 x LH12/12-110
1 x C133-120

156 x C105-0040
16 x C105-0100
2 x B115-050
1 x C110-014
4 x L208-070
5 x A108-16
1 x C110-M8



Brüstung aus Balkenschalung für 4-Eck Pavillon

Parapet with ceiling boards for pavillion



210442

8 x C105-0100 32 x C105-0040 2 x C105-0050 1 x C110-014 4 x L208-070 5 x A108-16 1 x C110-M8		2 x C111-3
--	--	----------------

Pfostenplan / Postsplan

1 x C110-014 4 x L208-070 5 x A108-16 1 x C110-M8	
--	--

UH6/6

je 4 x C105-0100

00-03-001

je 4 x C105-0040

C133-120

2 x C111-3
 1 x C110-014
 4 x L208-070
 5 x A108-16
 1 x C110-M8

A110-12

2 x B115-050

UH2/12

C105-0040

C133-120

2 x C111-3
 1 x C110-014
 4 x L208-070
 5 x A108-16
 1 x C110-M8