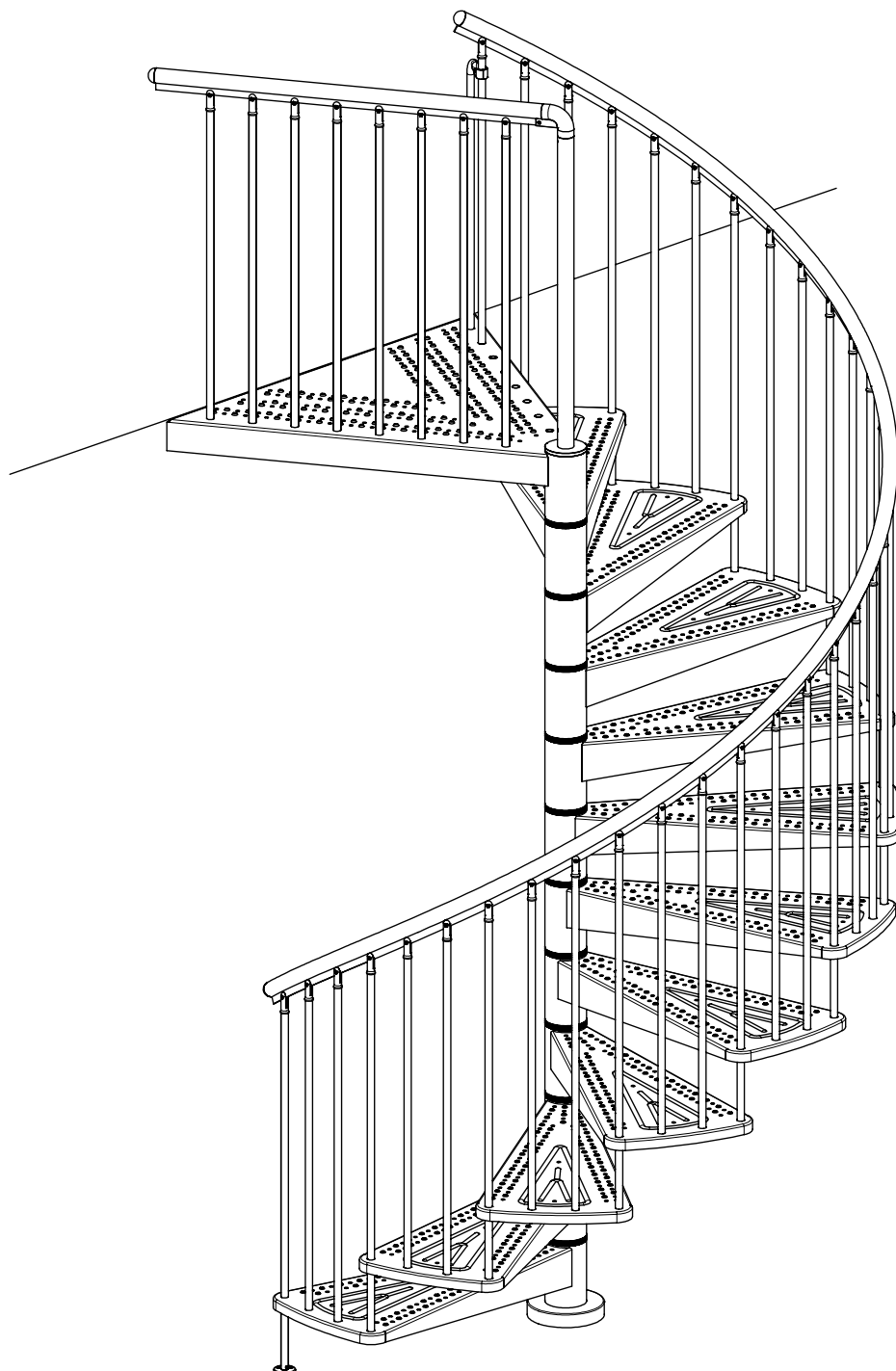


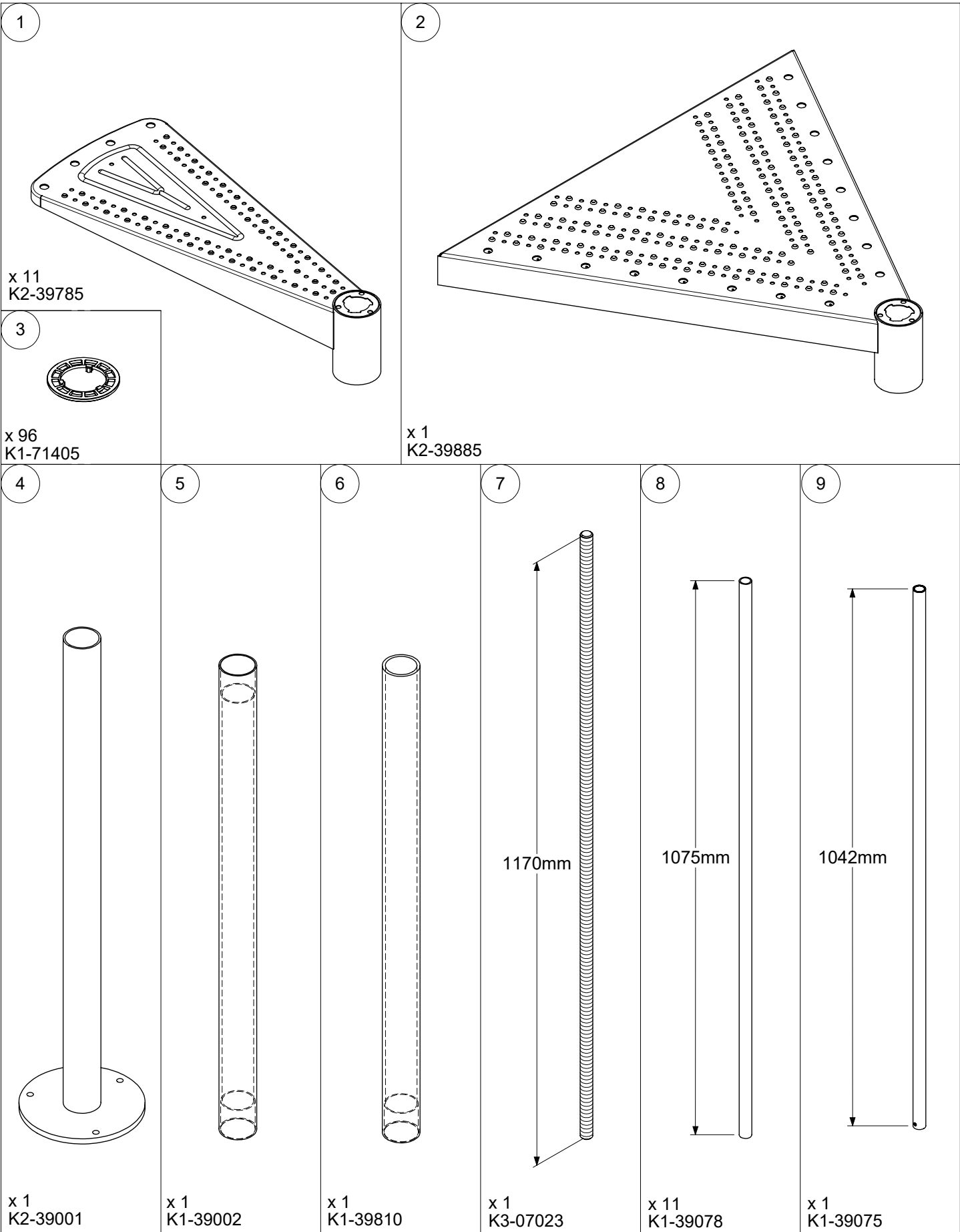
GARDENSPIN

Ø 185 cm






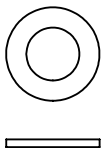


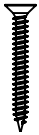



Installation instruction

Montageanleitung

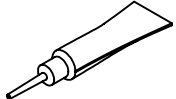




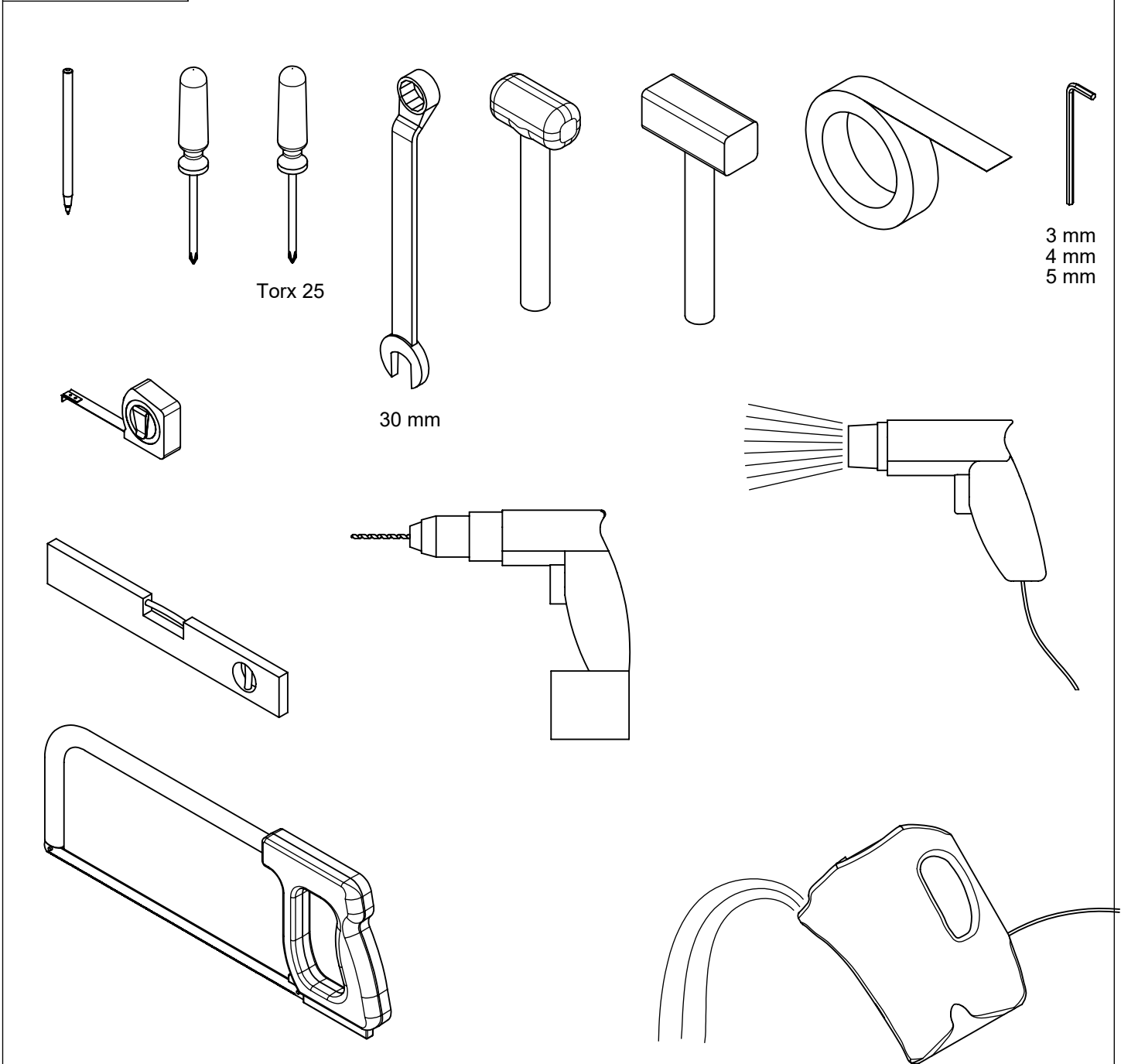
<p>10a</p> <p>940mm</p> <p>x 11 K1-39081</p>	<p>10b</p> <p>1010mm</p> <p>x 11 K1-39082</p>	<p>11</p> <p>931mm</p> <p>x 8 K1-39085</p>	<p>12</p> <p>x 1 K2-39090</p>	<p>13</p> <p>x 1 K1-39089</p>	<p>14</p> <p>x 2 K1-39004</p> <p>15</p> <p>x 1 K1-39816</p> <p>16</p> <p>x 1 K1-39807</p> <p>17</p> <p>x 1 K2-39805</p>
<p>18</p> <p>x 1 K1-19340</p>	<p>19</p> <p>x 42 K1-39050</p>	<p>20</p> <p>x 1 K1-30220</p>	<p>21</p> <p>x 3 K1-39010</p>	<p>22</p> <p>x 2 K1-39000</p>	<p>23</p> <p>x 3 K2-39190</p>
<p>24</p> <p>x 1 K1-71497 7 m</p>	<p>25</p> <p>x 1 K1-39210</p>	<p>26</p> <p>x 1 K1-39113 1,1 m</p>			
<p>27</p> <p>x 1 K1-39214</p>	<p>28</p> <p>x 2 K2-39010</p>	<p>33</p> <p>x 7 K1-39030</p>			

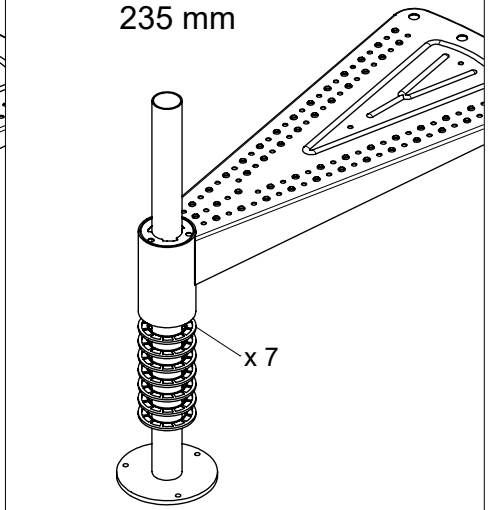
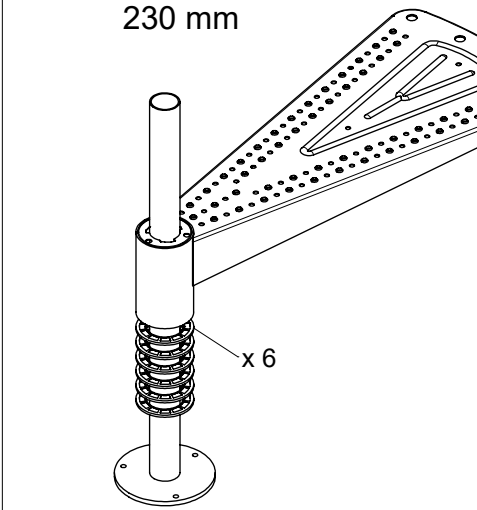
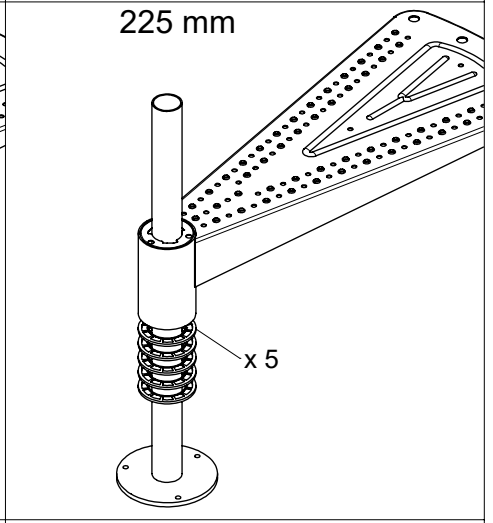
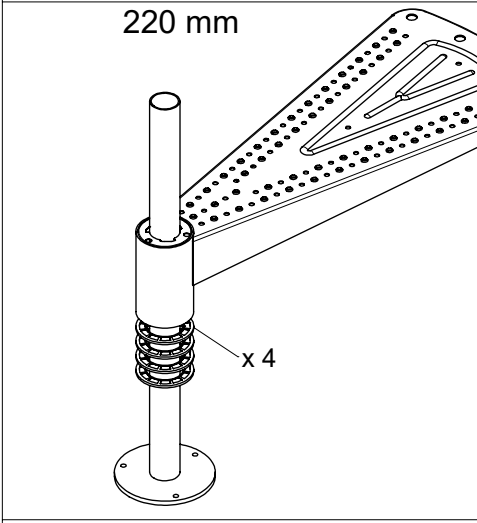
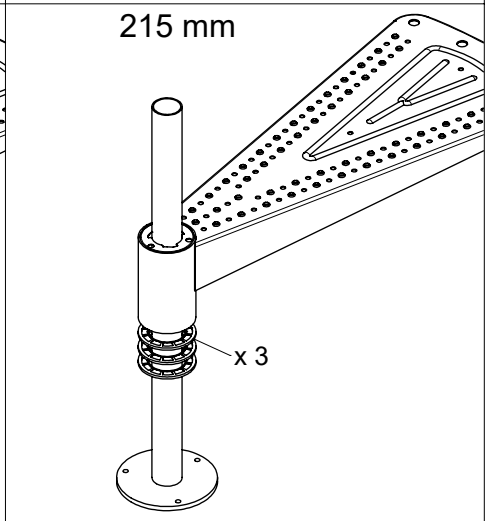
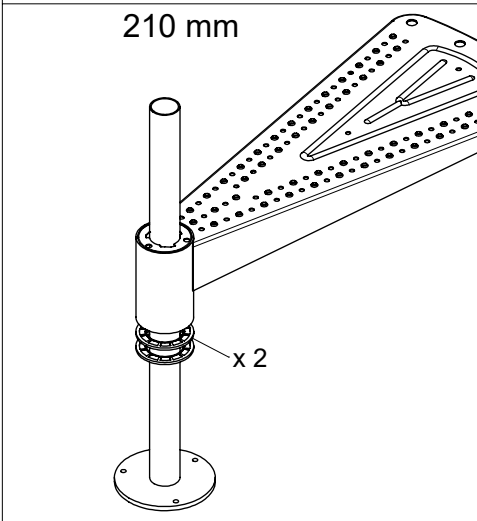
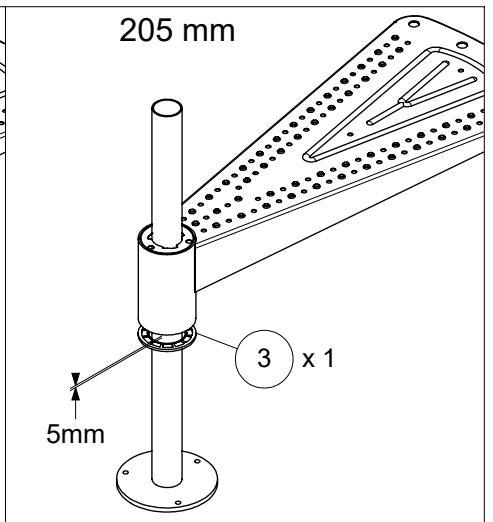
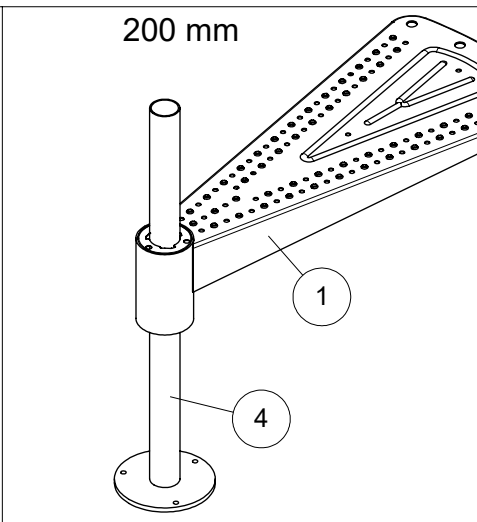
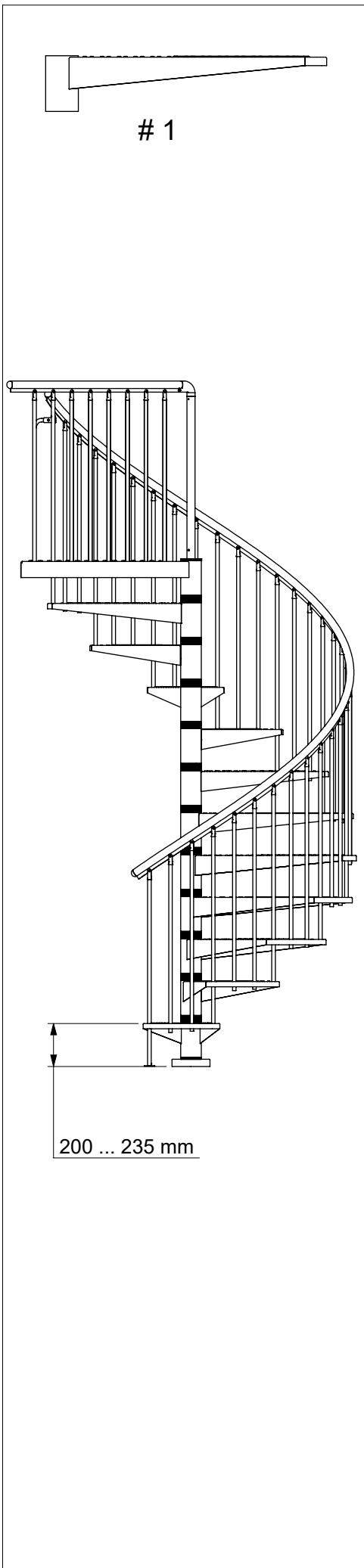
<p>50</p>  <p>× 7 K3-06070 Ø10 x 60</p>	<p>51</p>  <p>× 7 K3-04040 Ø10</p>	<p>52</p>  <p>× 7 K3-08001 Ø12 x 60</p>	<p>53</p>  <p>× 2 K3-05021 M8 x 10</p>	<p>54</p>  <p>× 2 K3-03054 M20</p>	<p>55</p>  <p>× 2 K3-04021 Ø20</p>
<p>56</p>  <p>× 120 K3-05055 M6 x 5</p>	<p>57</p>  <p>× 9 K3-08002 Ø8 x 40</p>	<p>58</p>  <p>× 9 K3-06275 Ø6 x 50</p>	<p>59</p>  <p>× 43 K3-03050 M5</p>	<p>60</p>  <p>× 43 K3-01201 M5 x 14</p>	<p>69</p>  <p>× 1 R1-63272 Ø6 x 25</p>

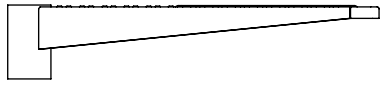
70



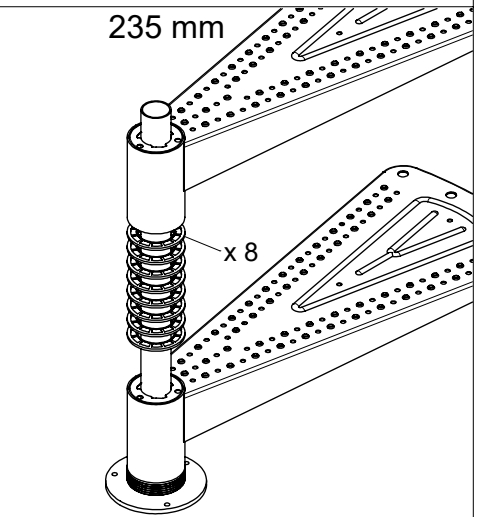
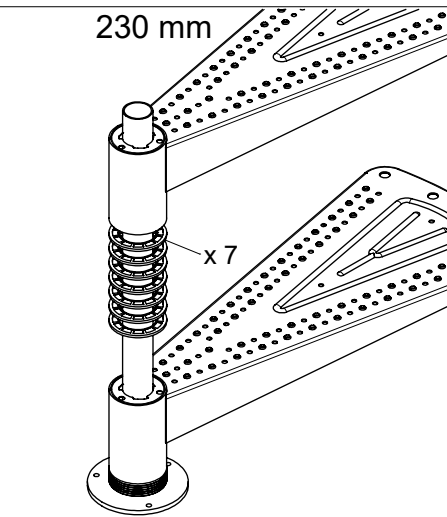
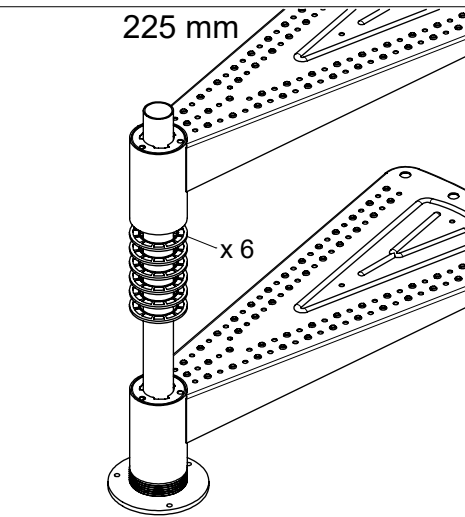
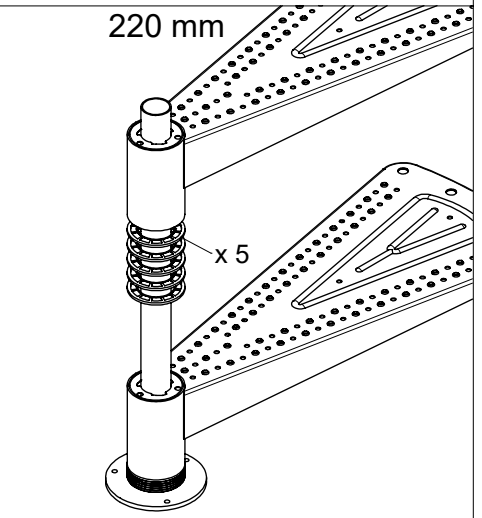
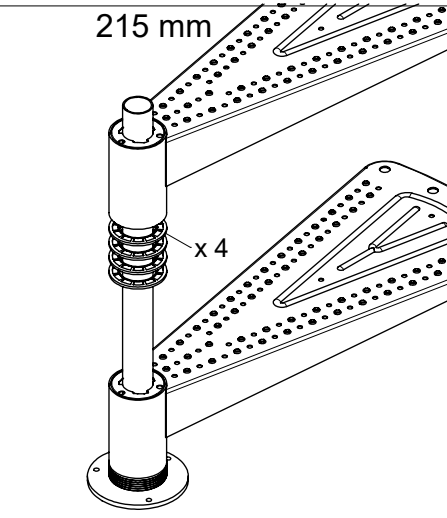
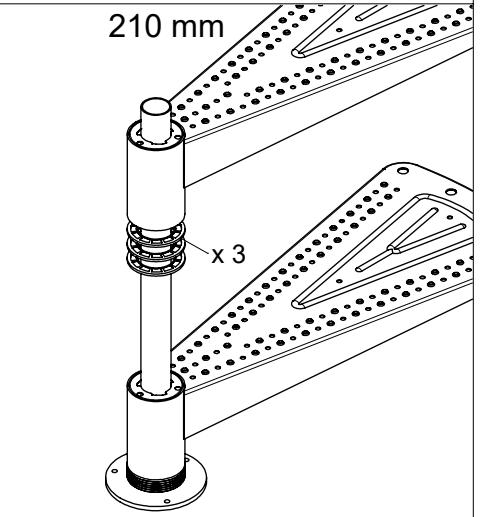
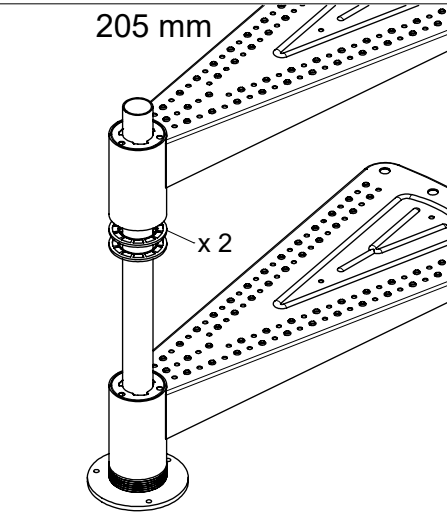
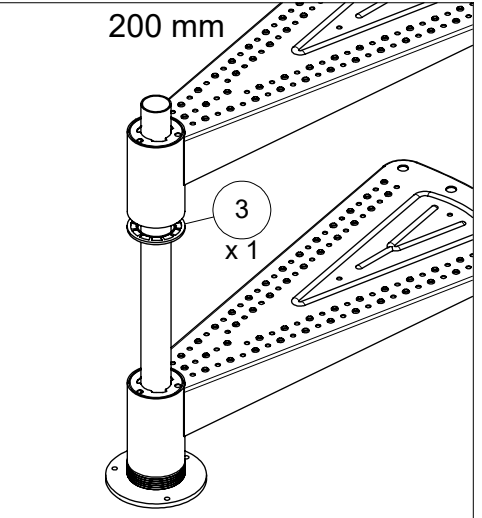
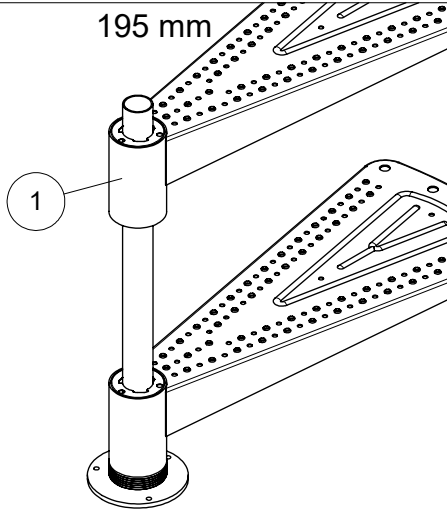
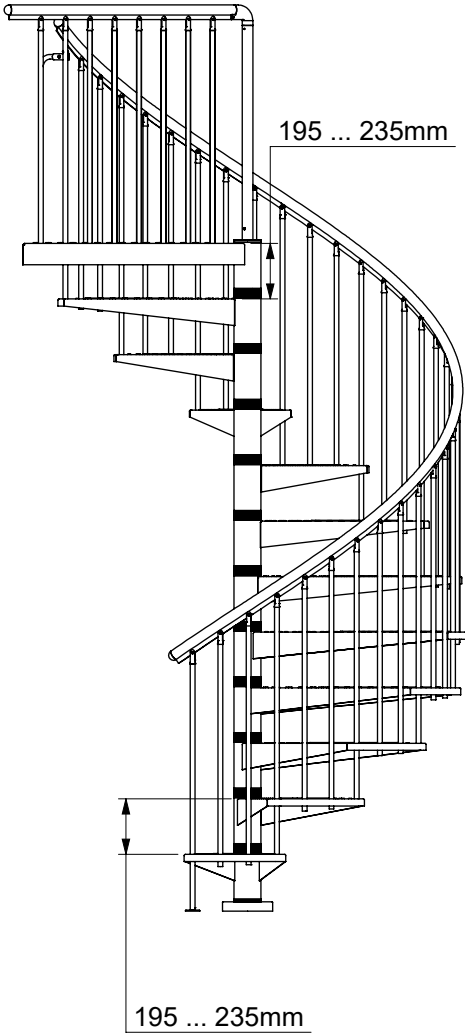
× 1
K3-90001

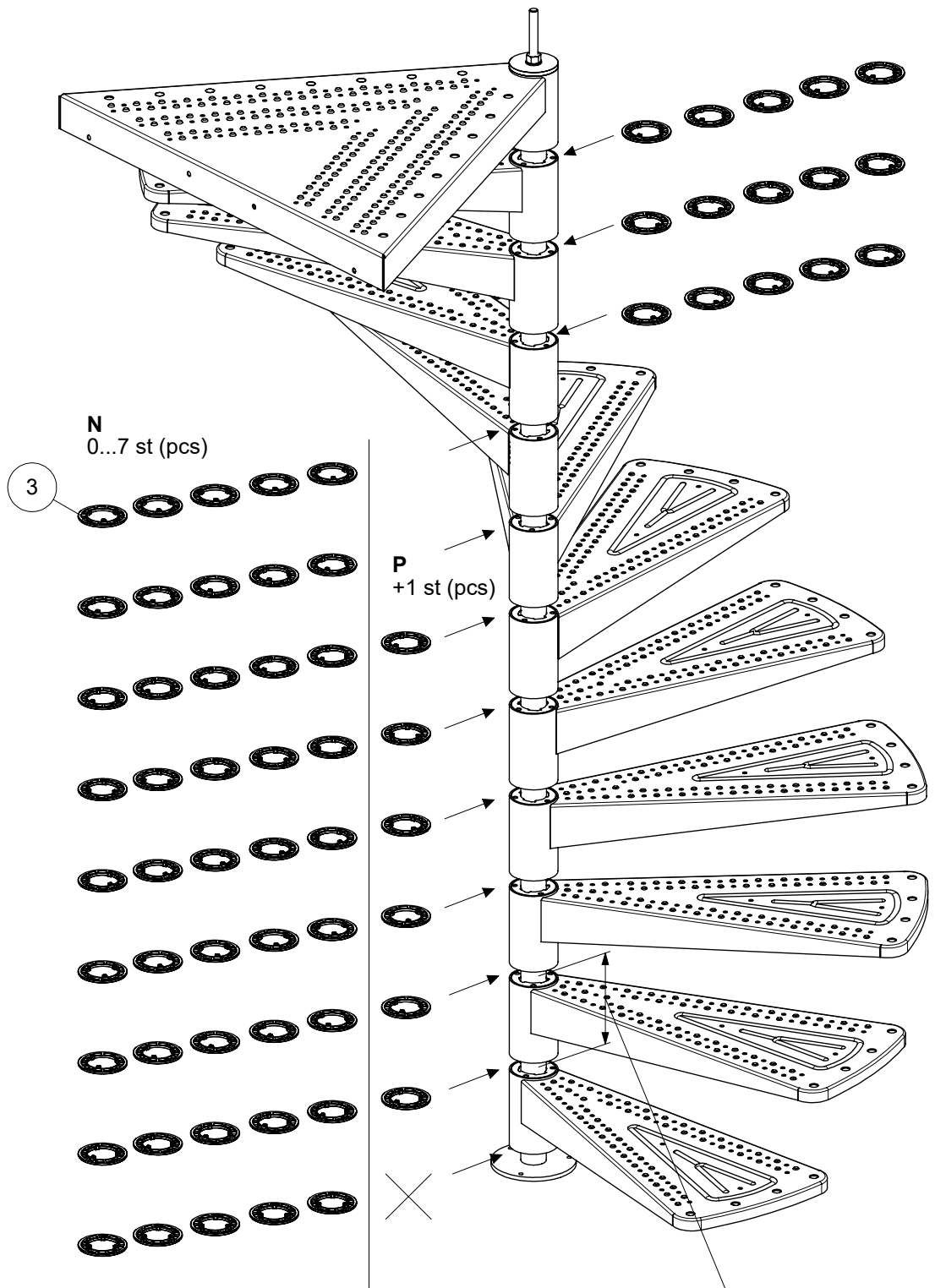






2, 3, ...

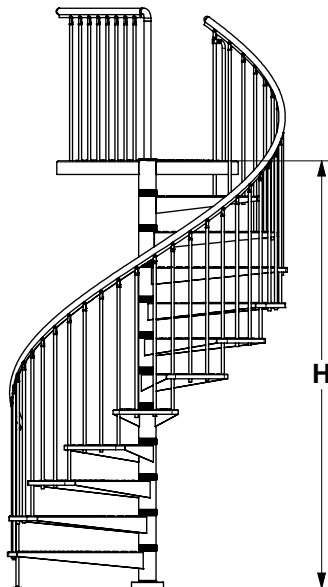




N × T 5 st (pcs) × 12 = 60 st (pcs)

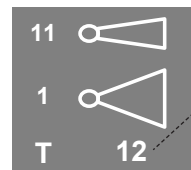
P + 6 st (pcs)











T 12



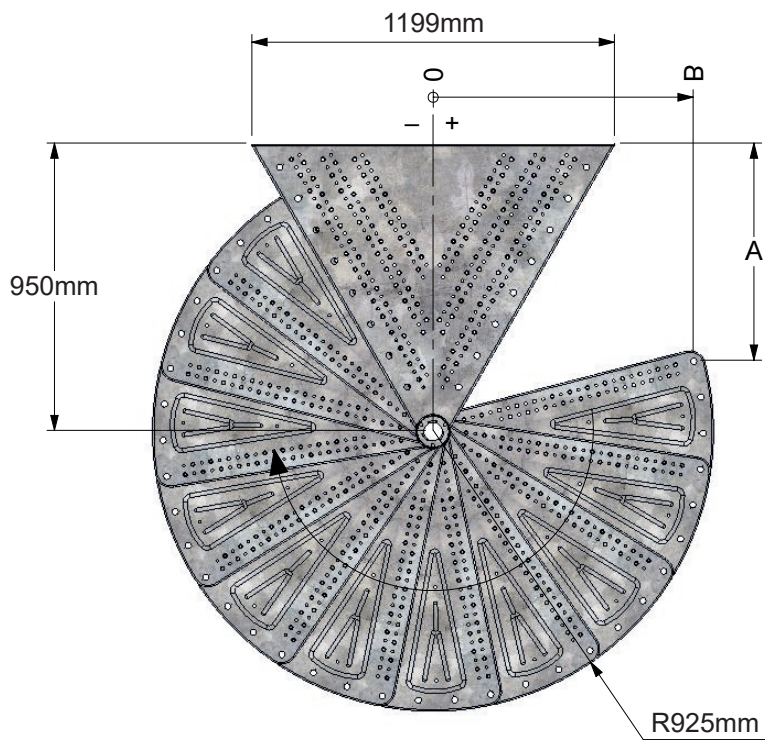
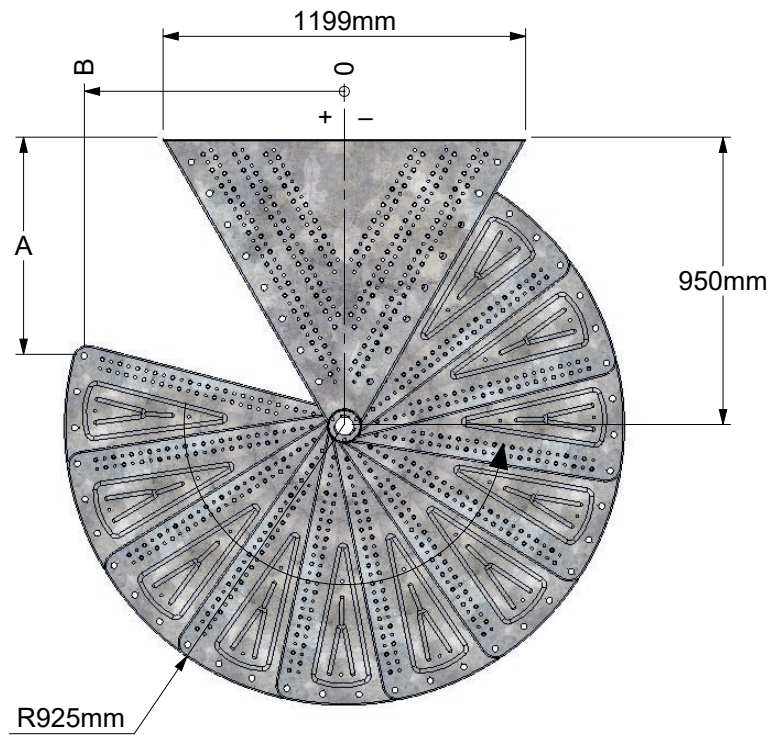
H 2675 mm

2000	5	1
2655	5	2
2660	5	3
2665	5	4
2670	5	5
2675	5	6
2680	5	7
2685	5	8
2690	5	9
2695	5	10
2700	5	11



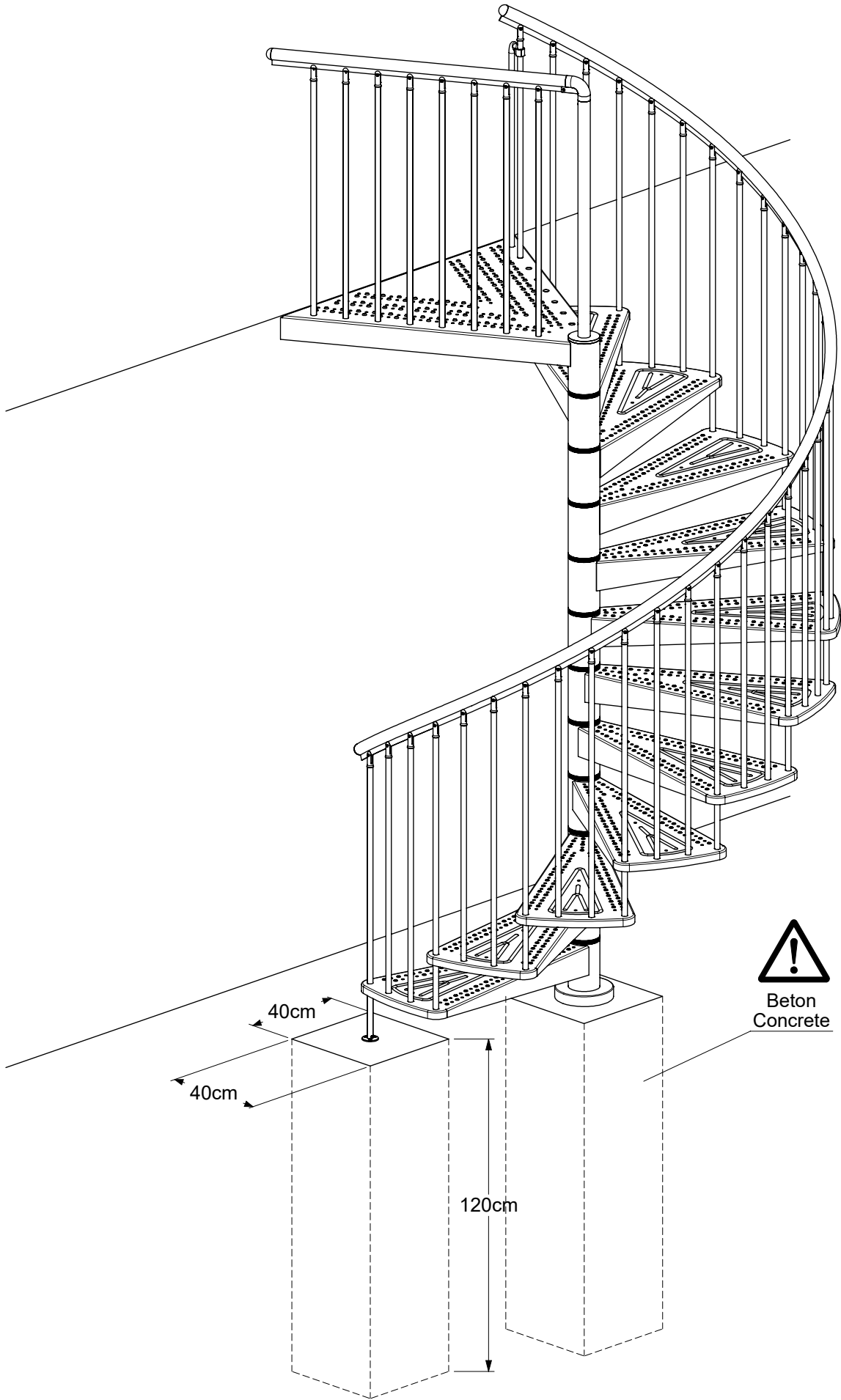
11 			12 			13 			14 			15 											
1 			1 			1 			1 			1 											
T	12		T	13		T	14		T	15		T	15										
H	N	P	H	N	P	H	N	P	H	N	P	H	N	P									
mm	st	st	mm	st	st	mm	st	st	mm	st	st	mm	st	st									
pcs	pcs		pcs	pcs		pcs	pcs		pcs	pcs		pcs	pcs										
2345	0	0	2590	4	1	2540	0	1	2805	4	1	2735	0	0	3020	4	1	2930	0	0	3235	4	1
2350	0	1	2595	4	2	2545	0	1	2810	4	2	2740	0	1	3025	4	2	2935	0	1	3240	4	2
2355	0	2	2600	4	3	2550	0	2	2815	4	3	2745	0	2	3030	4	3	2940	0	2	3245	4	3
2360	0	3	2605	4	4	2555	0	3	2820	4	4	2750	0	3	3035	4	4	2945	0	3	3250	4	4
2365	0	4	2610	4	5	2560	0	4	2825	4	5	2755	0	4	3040	4	5	2950	0	4	3255	4	5
2370	0	5	2615	4	6	2565	0	5	2830	4	6	2760	0	5	3045	4	6	2955	0	5	3260	4	6
2375	0	6	2620	4	7	2570	0	6	2835	4	7	2765	0	6	3050	4	7	2960	0	6	3265	4	7
2380	0	7	2625	4	8	2575	0	7	2840	4	8	2770	0	7	3055	4	8	2965	0	7	3270	4	8
2385	0	8	2630	4	9	2580	0	8	2845	4	9	2775	0	8	3060	4	9	2970	0	8	3275	4	9
2390	0	9	2635	4	10	2585	0	9	2850	4	10	2780	0	9	3065	4	10	2975	0	9	3280	4	10
2395	0	10	2640	4	11	2590	0	10	2855	4	11	2785	0	10	3070	4	11	2980	0	10	3285	4	11
2400	0	11	2645	5	0	2595	0	11	2860	4	12	2790	0	11	3075	4	12	2985	0	11	3290	4	12
2405	1	0	2650	5	1	2600	0	12	2865	5	0	2795	0	12	3080	4	13	2990	0	12	3295	4	13
2410	1	1	2655	5	2	2605	1	0	2870	5	1	2800	0	13	3085	5	0	2995	0	13	3300	4	14
2415	1	2	2660	5	3	2610	1	1	2875	5	2	2805	1	0	3090	5	1	3000	0	14	3305	5	0
2420	1	3	2665	5	4	2615	1	2	2880	5	3	2810	1	1	3095	5	2	3005	1	0	3310	5	1
2425	1	4	2670	5	5	2620	1	3	2885	5	4	2815	1	2	3100	5	3	3010	1	1	3315	5	2
2430	1	5	2675	5	6	2625	1	4	2890	5	5	2820	1	3	3105	5	4	3015	1	2	3320	5	3
2435	1	6	2680	5	7	2630	1	5	2895	5	6	2825	1	4	3110	5	5	3020	1	3	3325	5	4
2440	1	7	2685	5	8	2635	1	6	2900	5	7	2830	1	5	3115	5	6	3025	1	4	3330	5	5
2445	1	8	2690	5	9	2640	1	7	2905	5	8	2835	1	6	3120	5	7	3030	1	5	3335	5	6
2450	1	9	2695	5	10	2645	1	8	2910	5	9	2840	1	7	3125	5	8	3035	1	6	3340	5	7
2455	1	10	2700	5	11	2650	1	9	2915	5	10	2845	1	8	3130	5	9	3040	1	7	3345	5	8
2460	1	11	2705	6	0	2655	1	10	2920	5	11	2850	1	9	3135	5	10	3045	1	8	3350	5	9
2465	2	0	2710	6	1	2660	1	11	2925	5	12	2855	1	10	3140	5	11	3050	1	9	3355	5	10
2470	2	1	2715	6	2	2665	1	12	2930	6	0	2860	1	11	3145	5	12	3055	1	10	3360	5	11
2475	2	2	2720	6	3	2670	2	0	2935	6	1	2865	1	12	3150	5	13	3060	1	11	3365	5	12
2480	2	3	2725	6	4	2675	2	1	2940	6	2	2870	1	13	3155	6	0	3065	1	12	3370	5	13
2485	2	4	2730	6	5	2680	2	2	2945	6	3	2875	2	0	3160	6	1	3070	1	13	3375	5	14
2490	2	5	2735	6	6	2685	2	3	2950	6	4	2880	2	1	3165	6	2	3075	1	14	3380	6	0
2495	2	6	2740	6	7	2690	2	4	2955	6	5	2885	2	2	3170	6	3	3080	2	0	3385	6	1
2500	2	7	2745	6	8	2695	2	5	2960	6	6	2890	2	3	3175	6	4	3085	2	1	3390	6	2
2505	2	8	2750	6	9	2700	2	6	2965	6	7	2895	2	4	3180	6	5	3090	2	2	3395	6	3
2510	2	9	2755	6	10	2705	2	7	2970	6	8	2900	2	5	3185	6	6	3095	2	3	3400	6	4
2515	2	10	2760	6	11	2710	2	8	2975	6	9	2905	2	6	3190	6	7	3100	2	4	3405	6	5
2520	2	11	2765	7	0	2715	2	9	2980	6	10	2910	2	7	3195	6	8	3105	2	5	3410	6	6
2525	3	0	2770	7	1	2720	2	10	2985	6	11	2915	2	8	3200	6	9	3110	2	6	3415	6	7
2530	3	1	2775	7	2	2725	2	11	2990	6	12	2920	2	9	3205	6	10	3115	2	7	3420	6	8
2535	3	2	2780	7	3	2730	2	12	2995	7	0	2925	2	10	3210	6	11	3120	2	8	3425	6	9
2540	3	3	2785	7	4	2735	3	0	3000	7	1	2930	2	11	3215	6	12	3125	2	9	3430	6	10
2545	3	4	2790	7	5	2740	3	1	3005	7	2	2935	2	12	3220	6	13	3130	2	10	3435	6	11
2550	3	5	2795	7	6	2745	3	2	3010	7	3	2940	2	13	3225	7	0	3135	2	11	3440	6	12
2555	3	6	2800	7	7	2750	3	3	3015	7	4	2945	3	0	3230	7	1	3140	2	12	3445	6	13
2560	3	7	2805	7	8	2755	3	4	3020	7	5	2950	3	1	3235	7	2	3145	2	13	3450	6	14
2565	3	8	2810	7	9	2760	3	5	3025	7	6	2955	3	2	3240	7	3	3150	2	14	3455	7	0
2570	3	9	2815	7	10	2765	3	6	3030	7	7	2960	3	3	3245	7	4	3155	3	0	3460	7	1
2575	3	10	2820	7	11	2770	3	7	3035	7	8	2965	3	4	3250	7	5	3160	3	1	3465	7	2
2580	3	11				2775	3	8	3040	7	9	2970	3	5	3255	7	6	3165	3	2	3470	7	3
2585	4	0				2780	3	9	3045	7	10	2975	3	6	3260	7	7	3170	3	3	3475	7	4
						2785	3	10	3050	7	11	2980	3	7	3265	7	8	3175	3	4	3480	7	5
						2790	3	11	3055	7	12	2985	3	8	3270	7	9	3180	3	5	3485	7	6
						2795	3	12				2990	3	9	3275	7	10	3185	3	6	3490	7	7
						2800	4	0				2995	3	10	3280	7	11	3190	3	7	3495	7	8
												3000	3	11	3285	7	12	3195	3	8	3500	7	9
												3005	3	12	3290	7	13	3200	3	9	3505	7	10
												3010	3	13				3205	3	10	3510	7	11
												3015	4	0				3210	3	11	3515	7	12
																		3215	3	12	3520	7	13
																		3220	3	13	3525	7	14
																		3225	3	14			
																		3230	4	0			

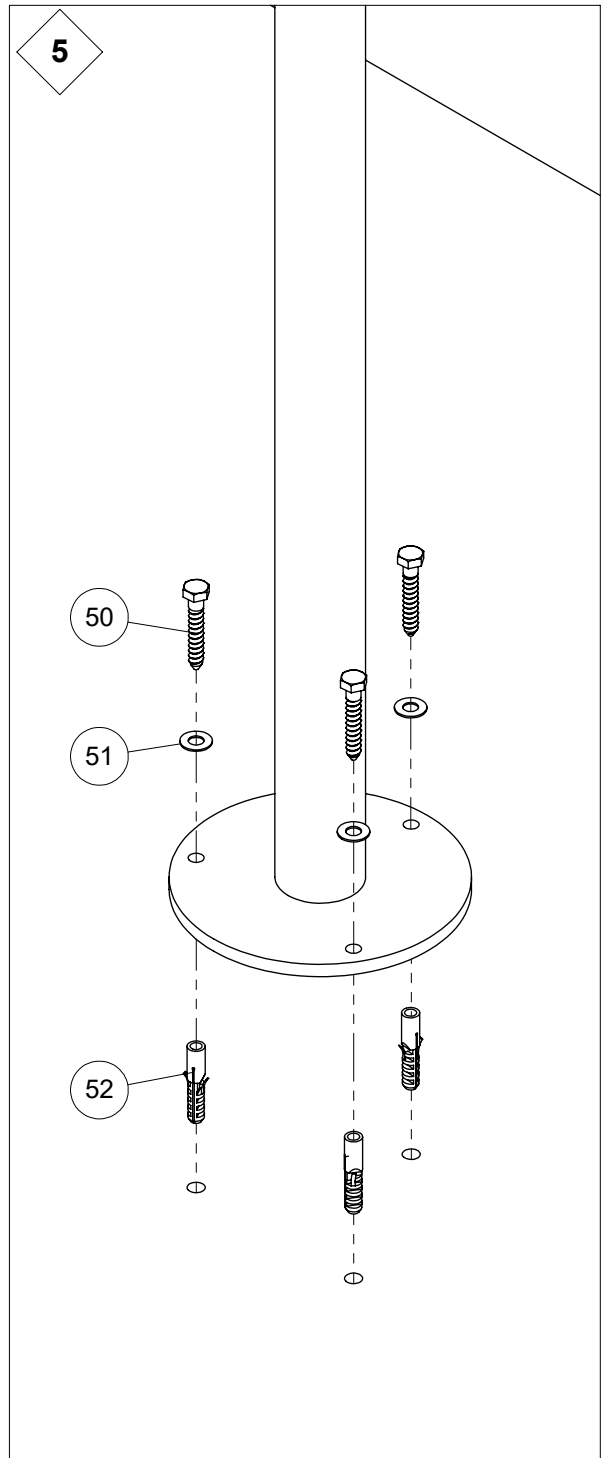
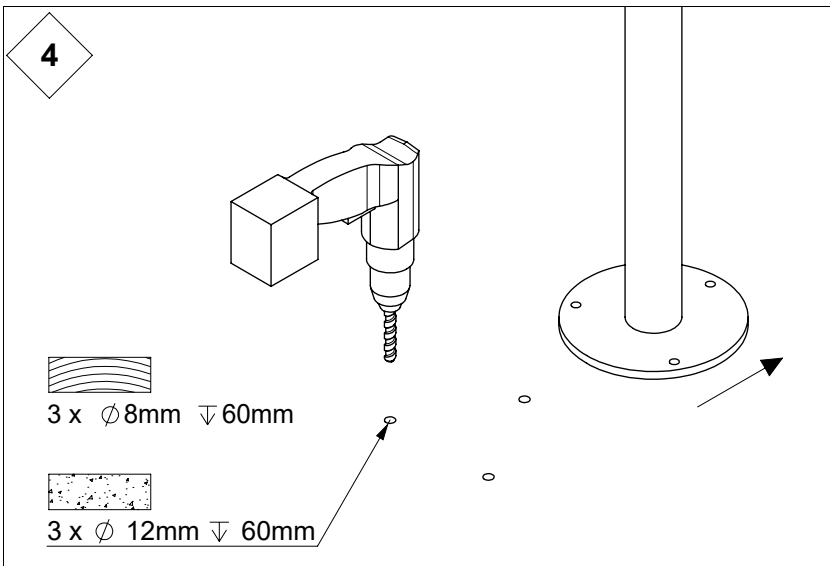
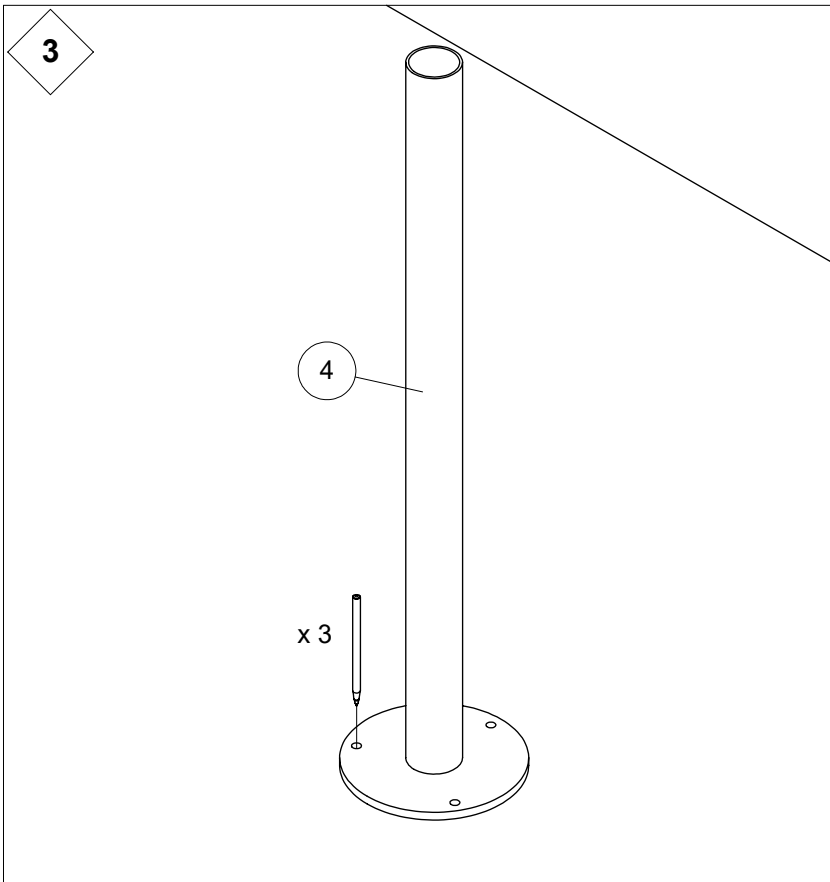
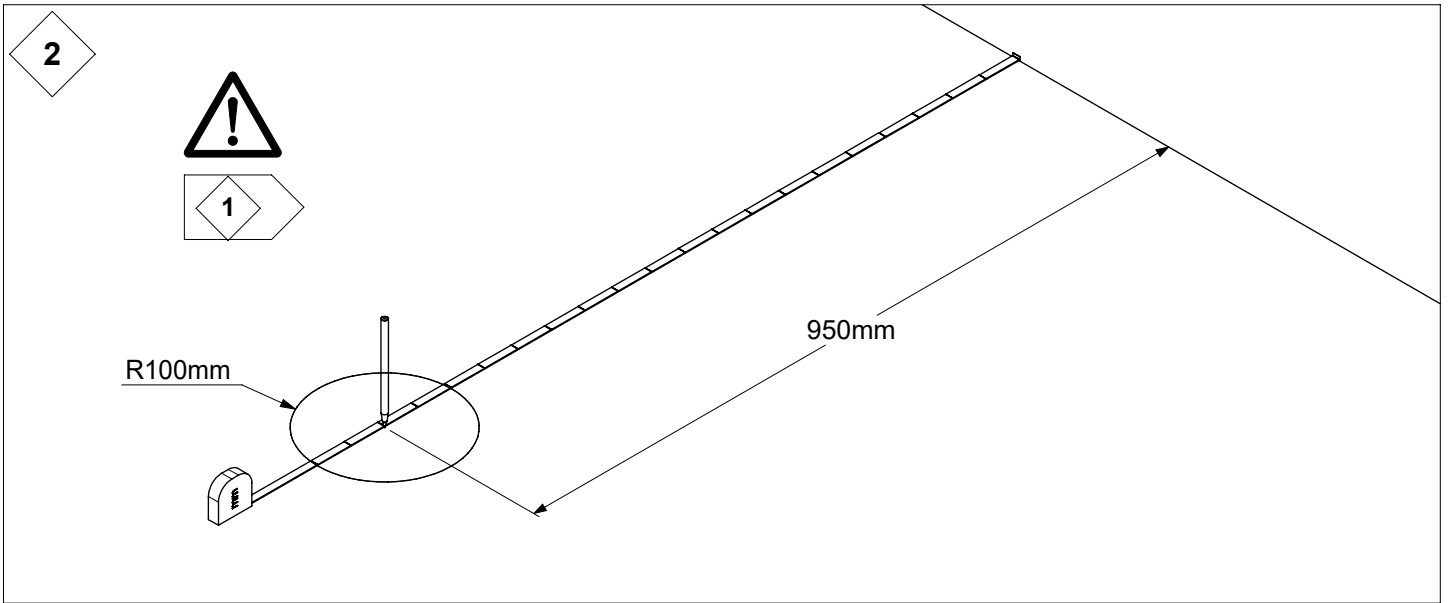
Ø 185 cm

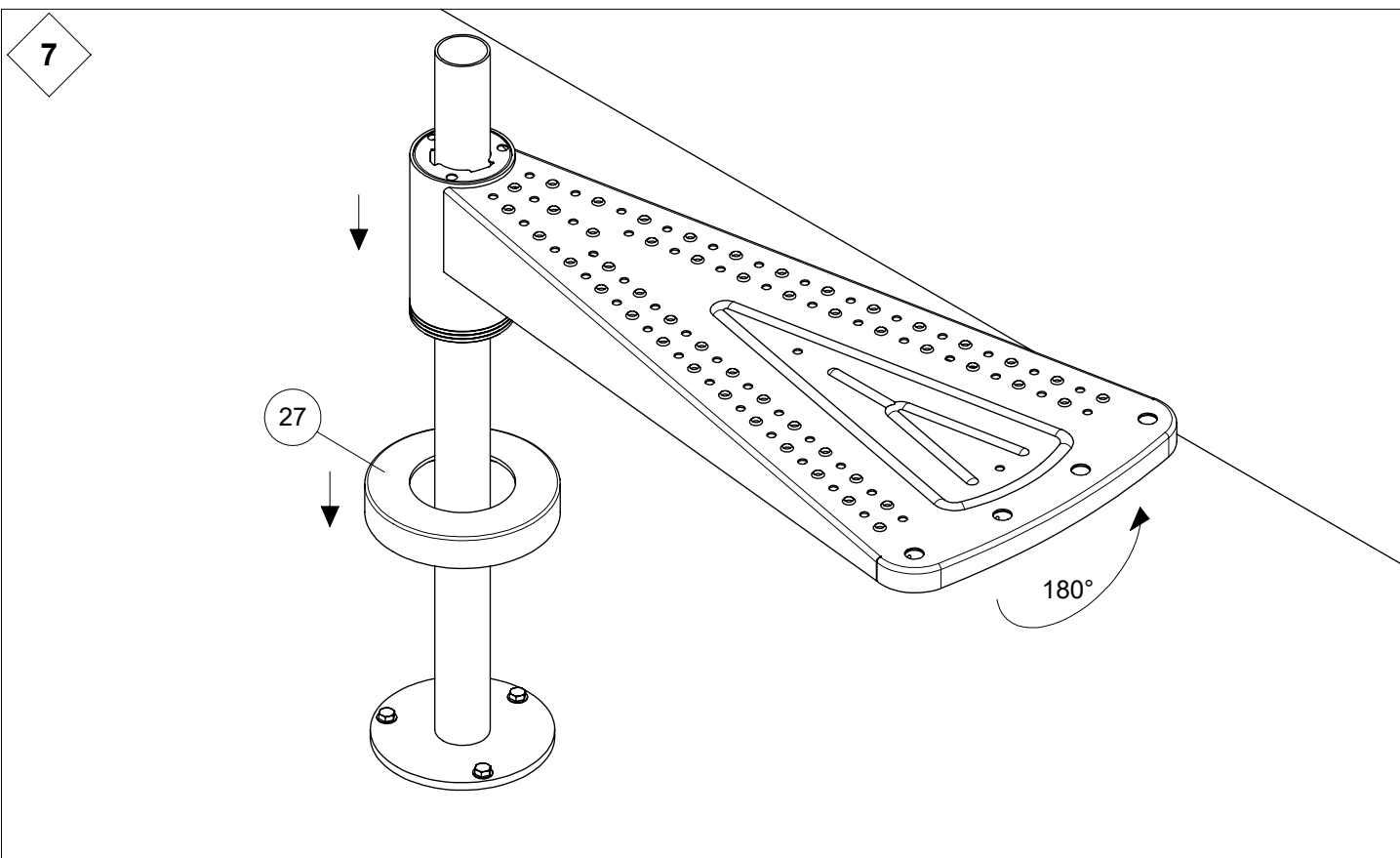
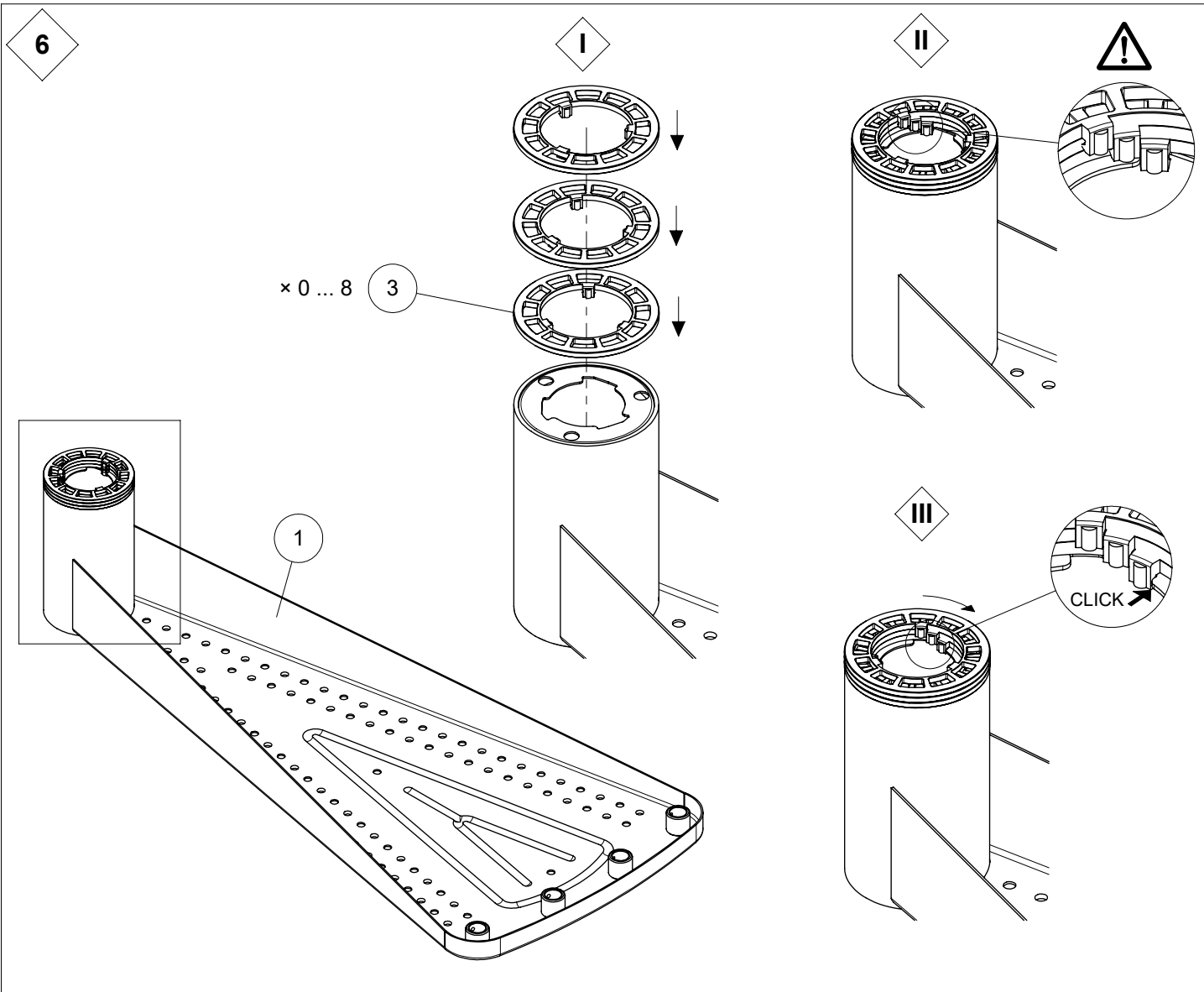


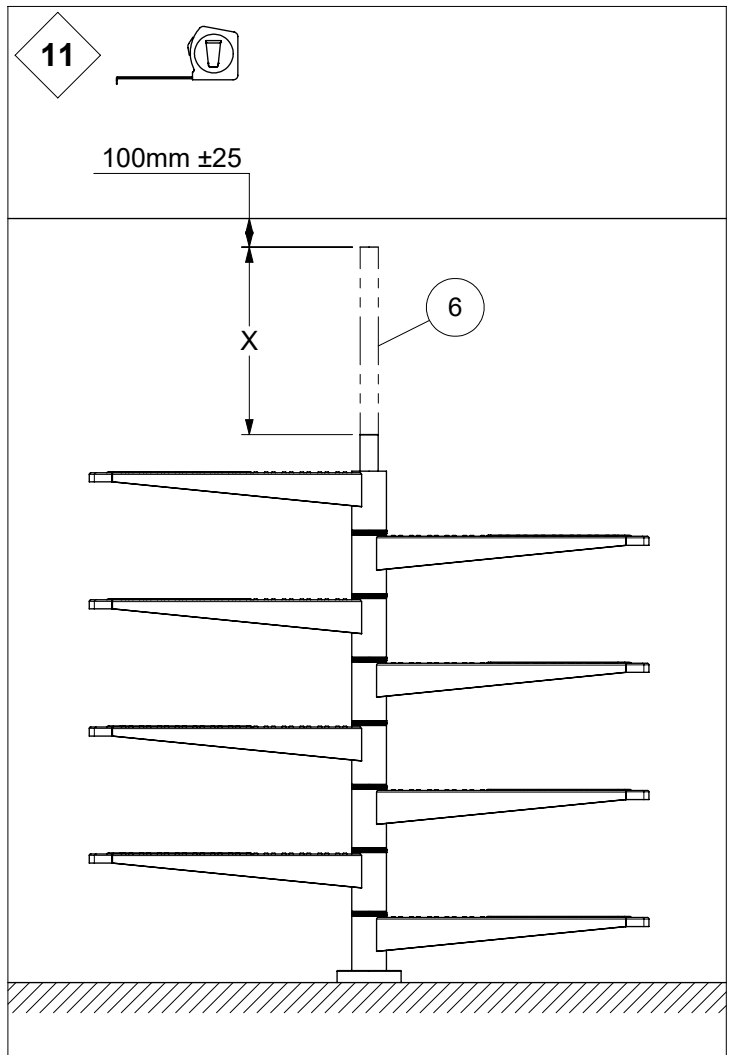
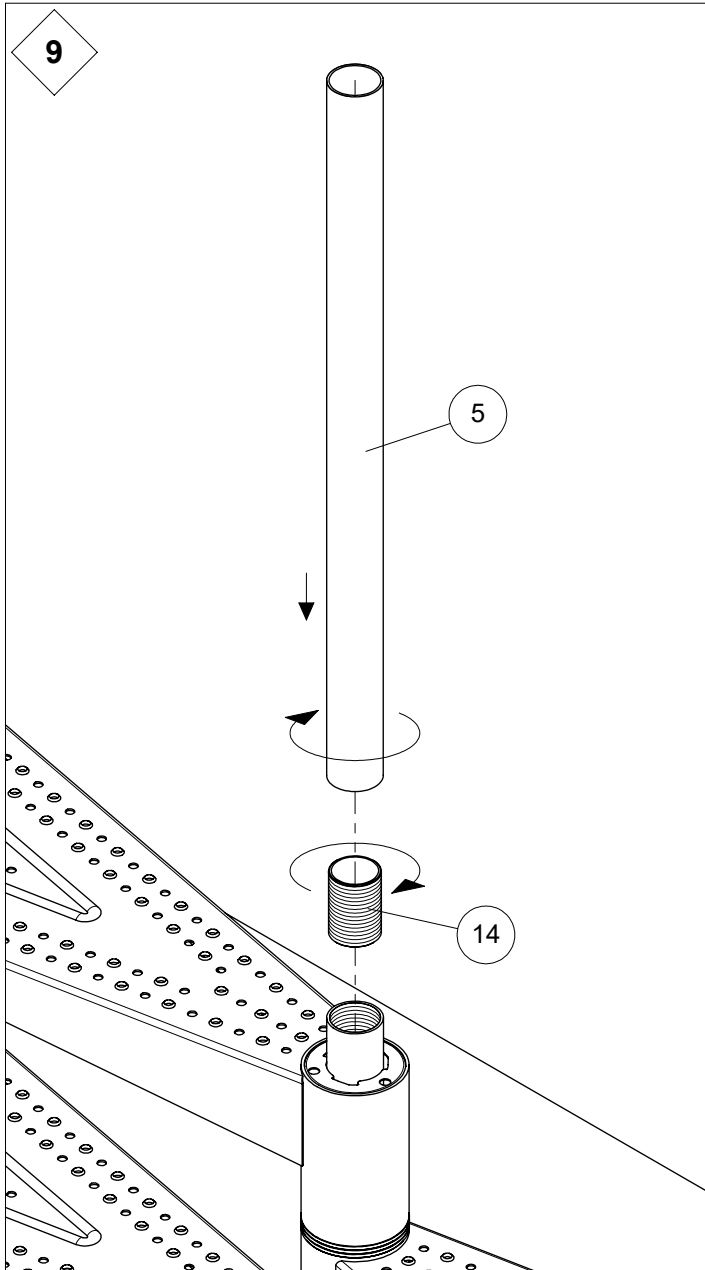
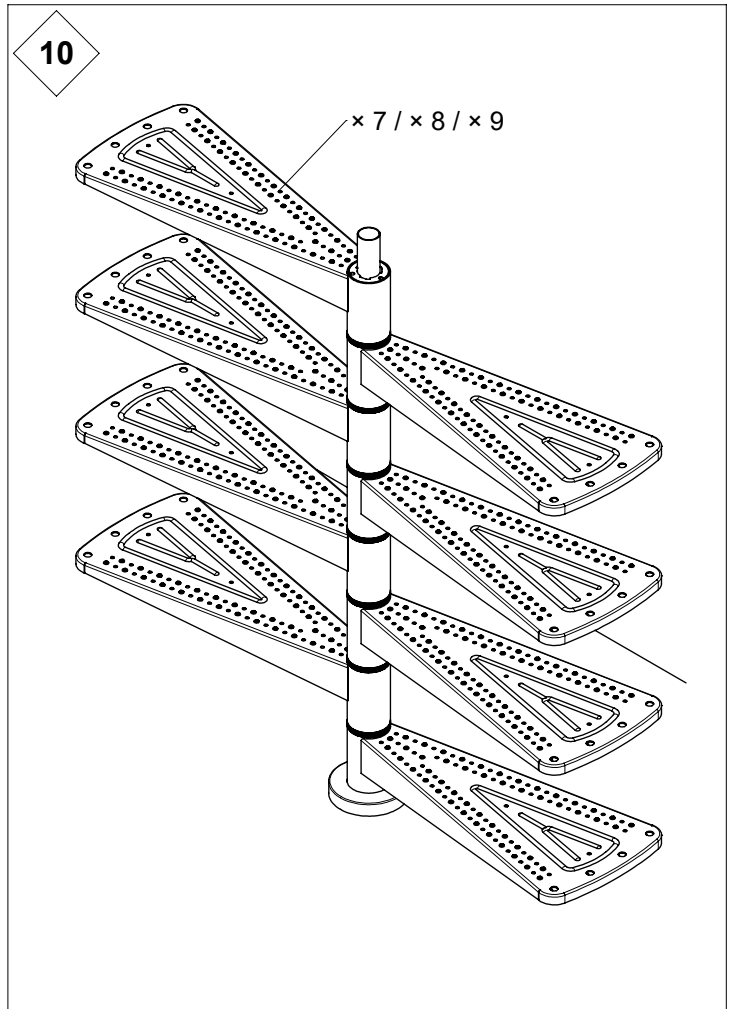
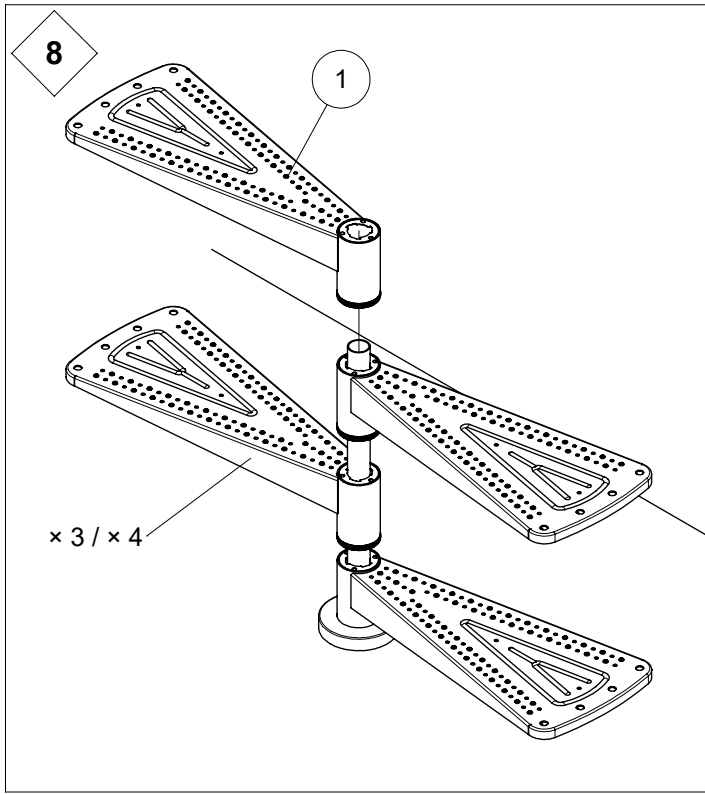
	A		B	
	mm		mm	
11	718	859		
12	398	698		
13	168	424		
14	64	82		

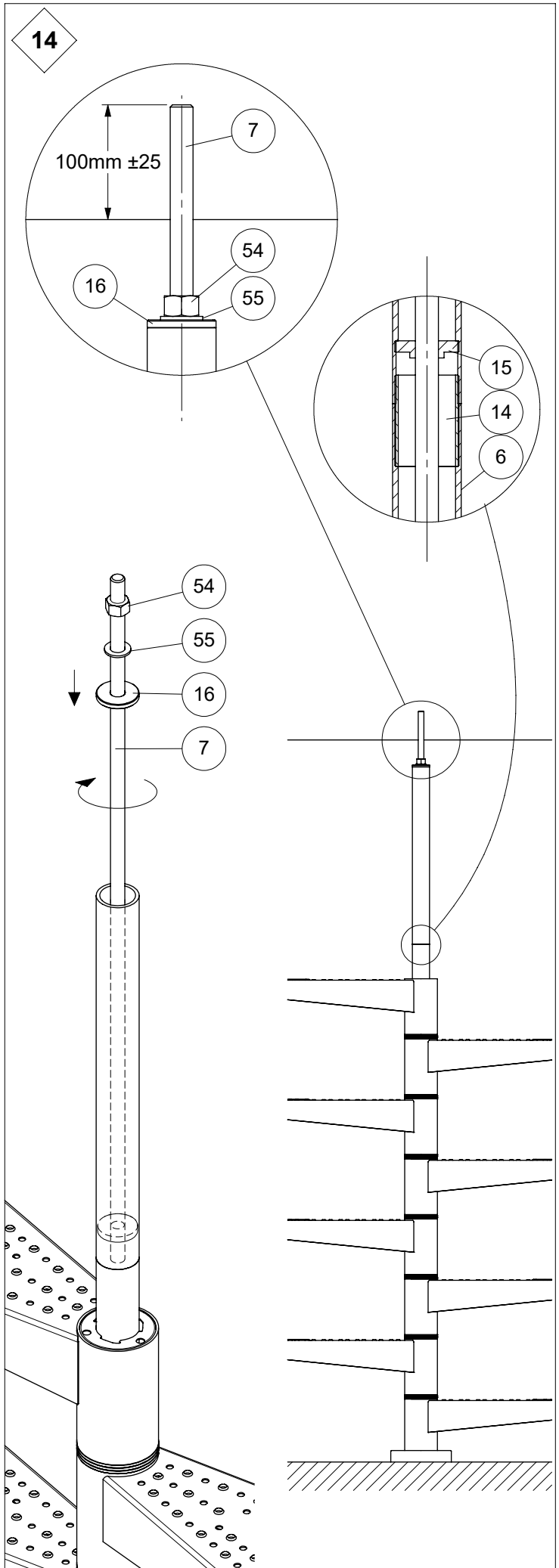
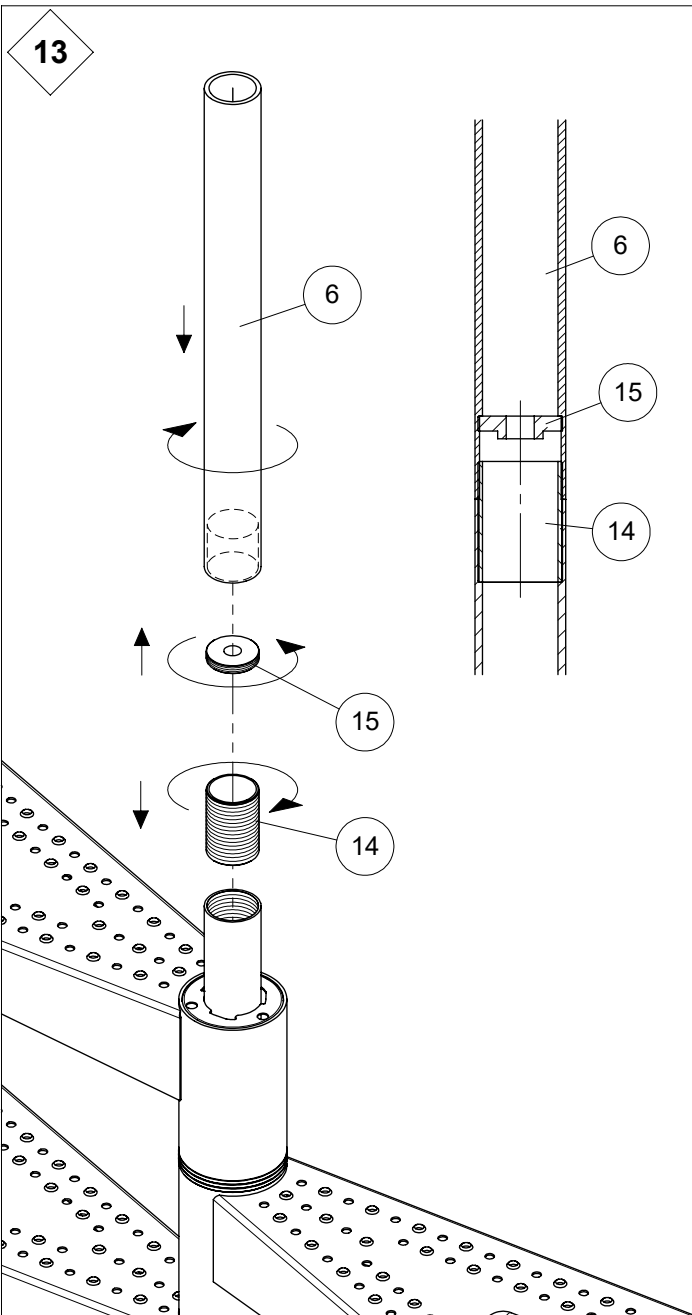
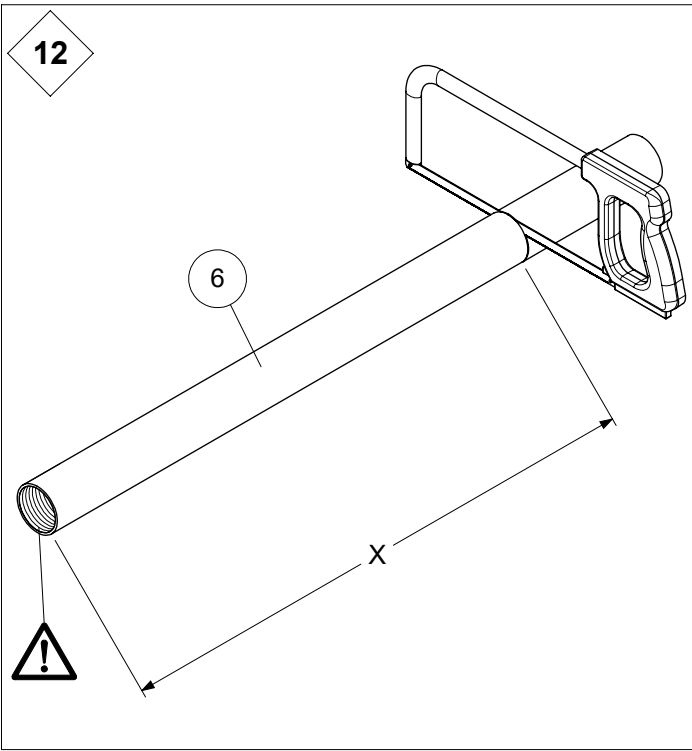
1

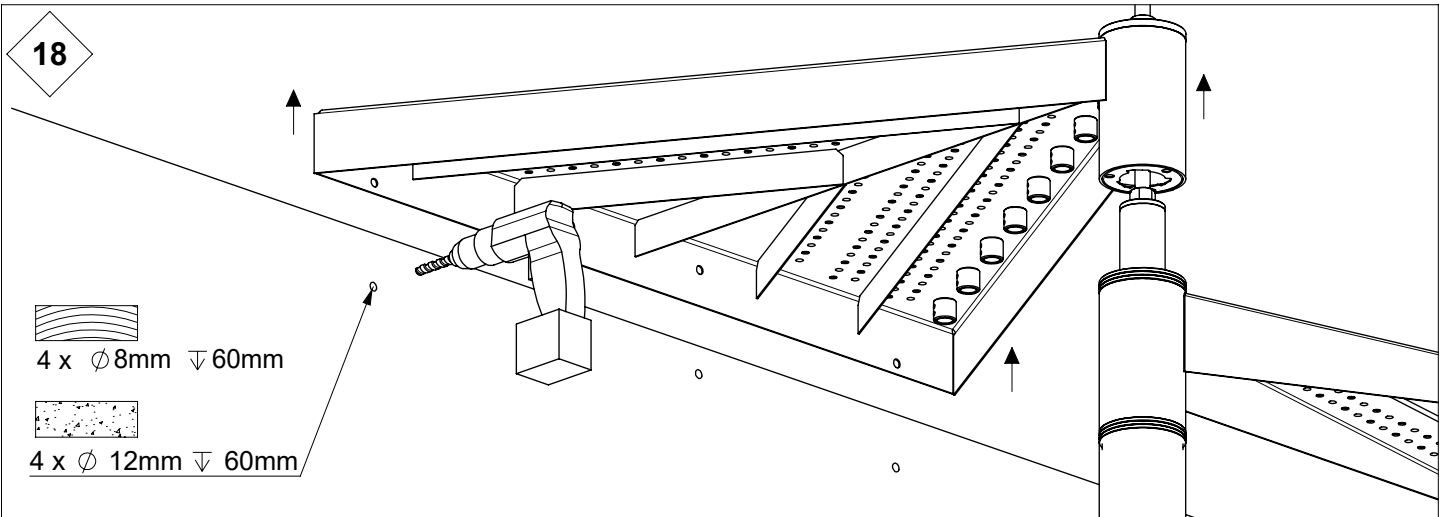
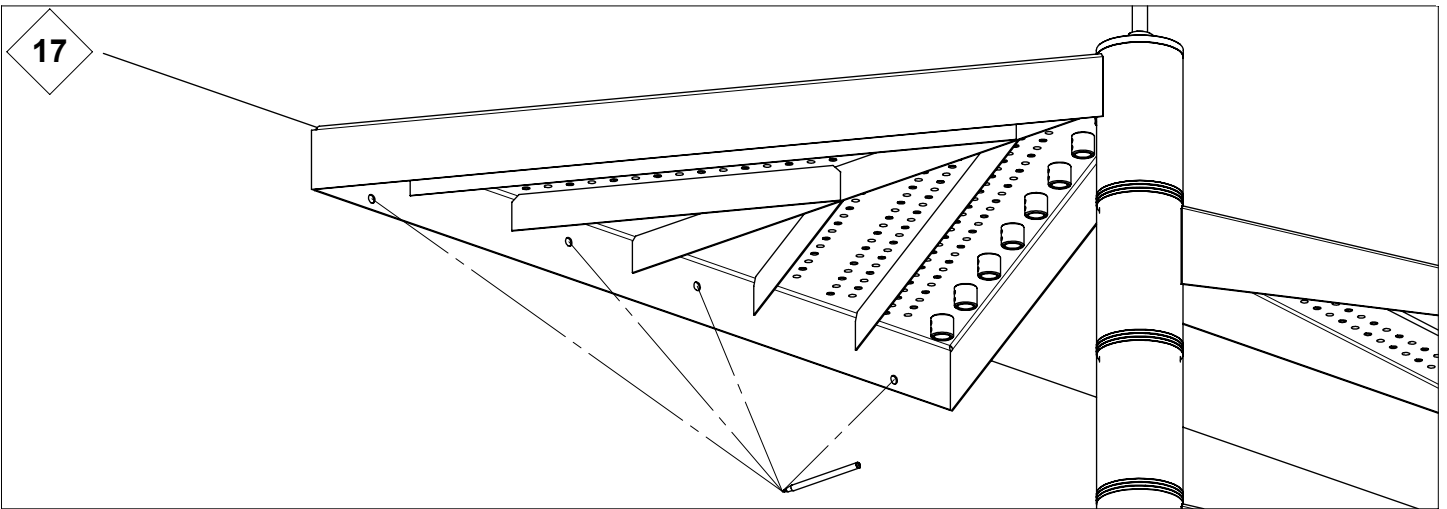
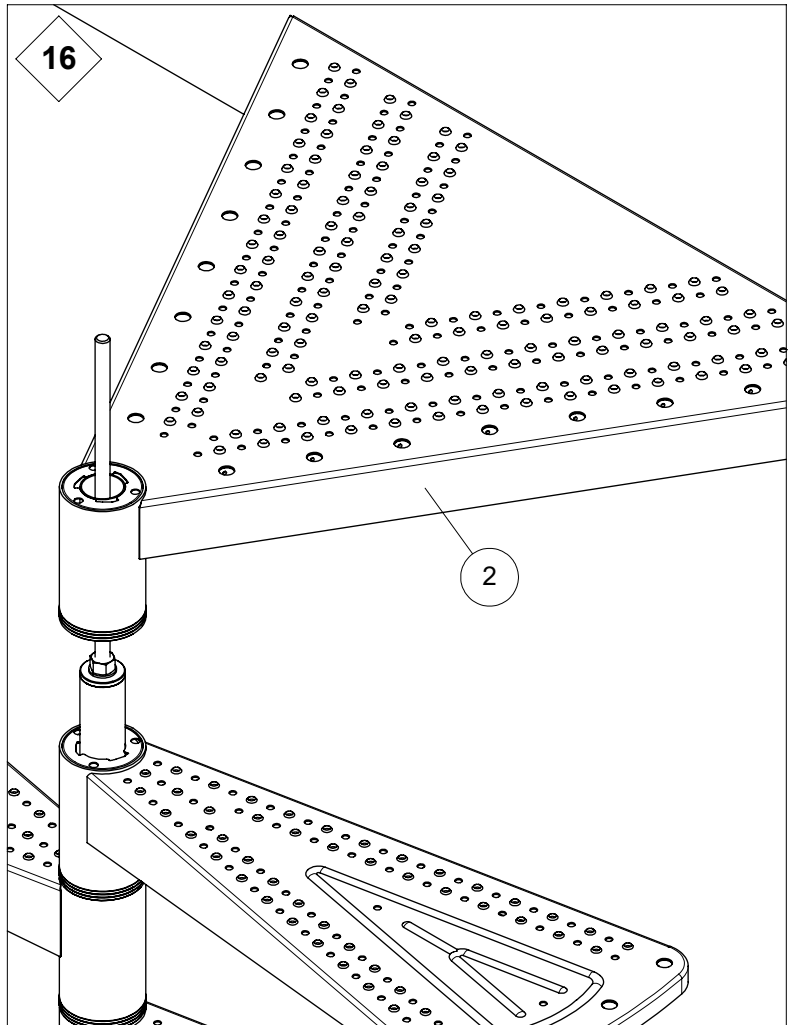
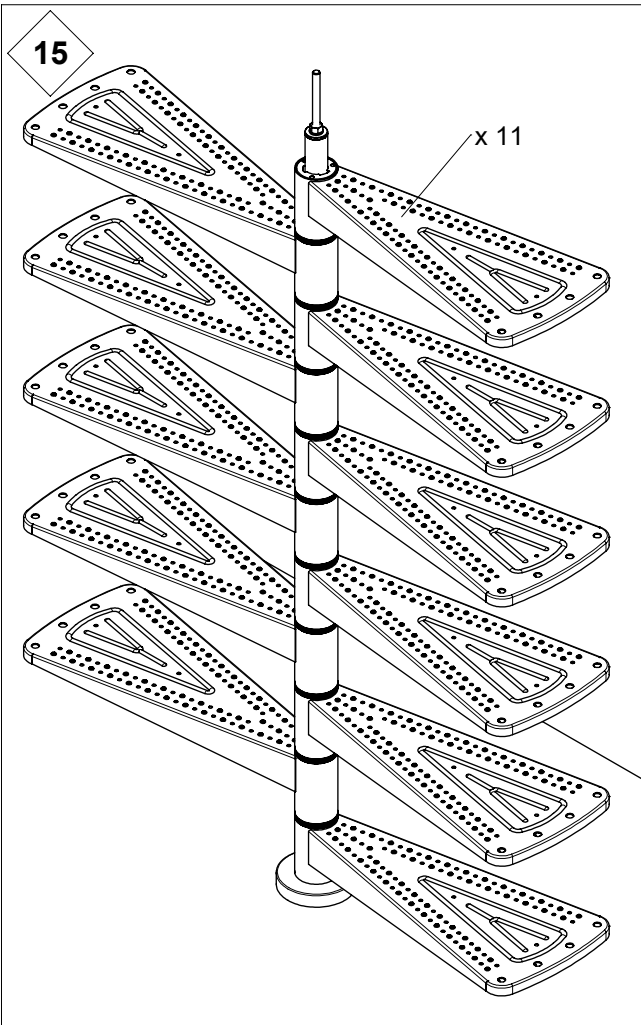




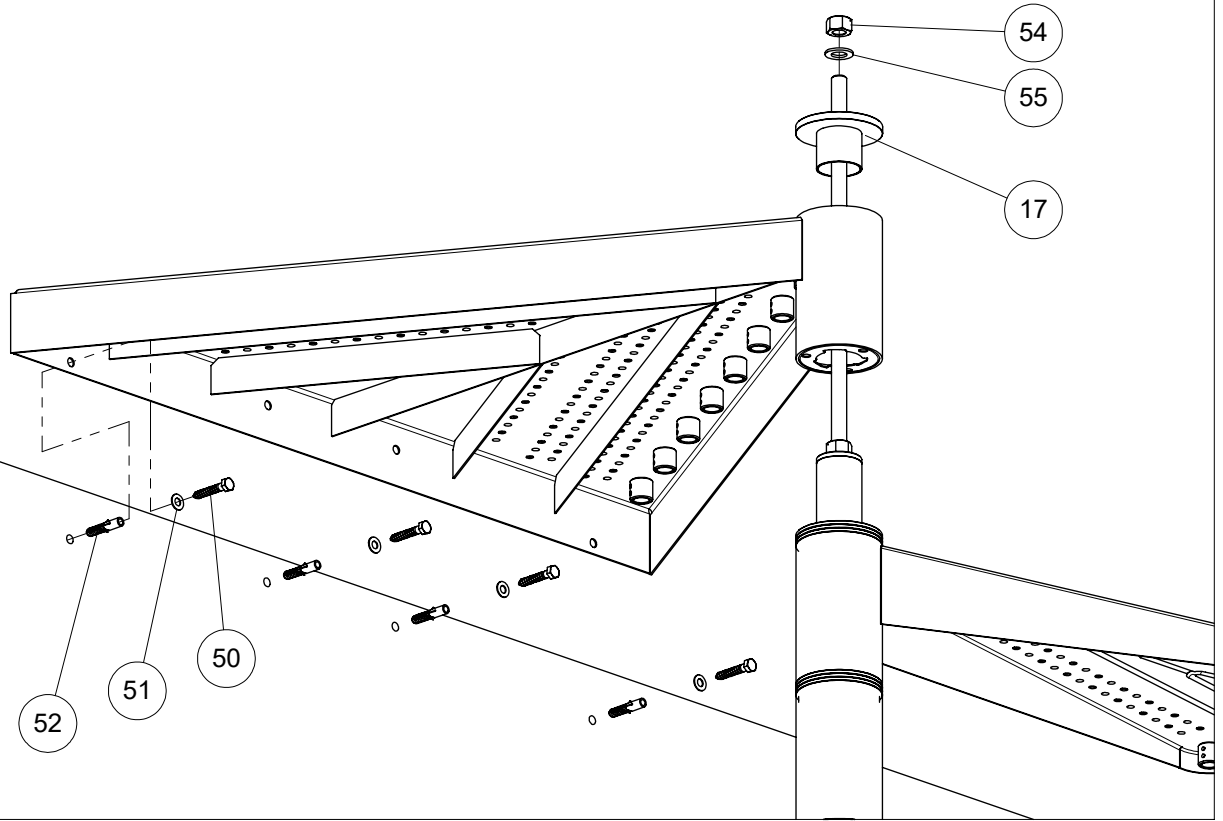




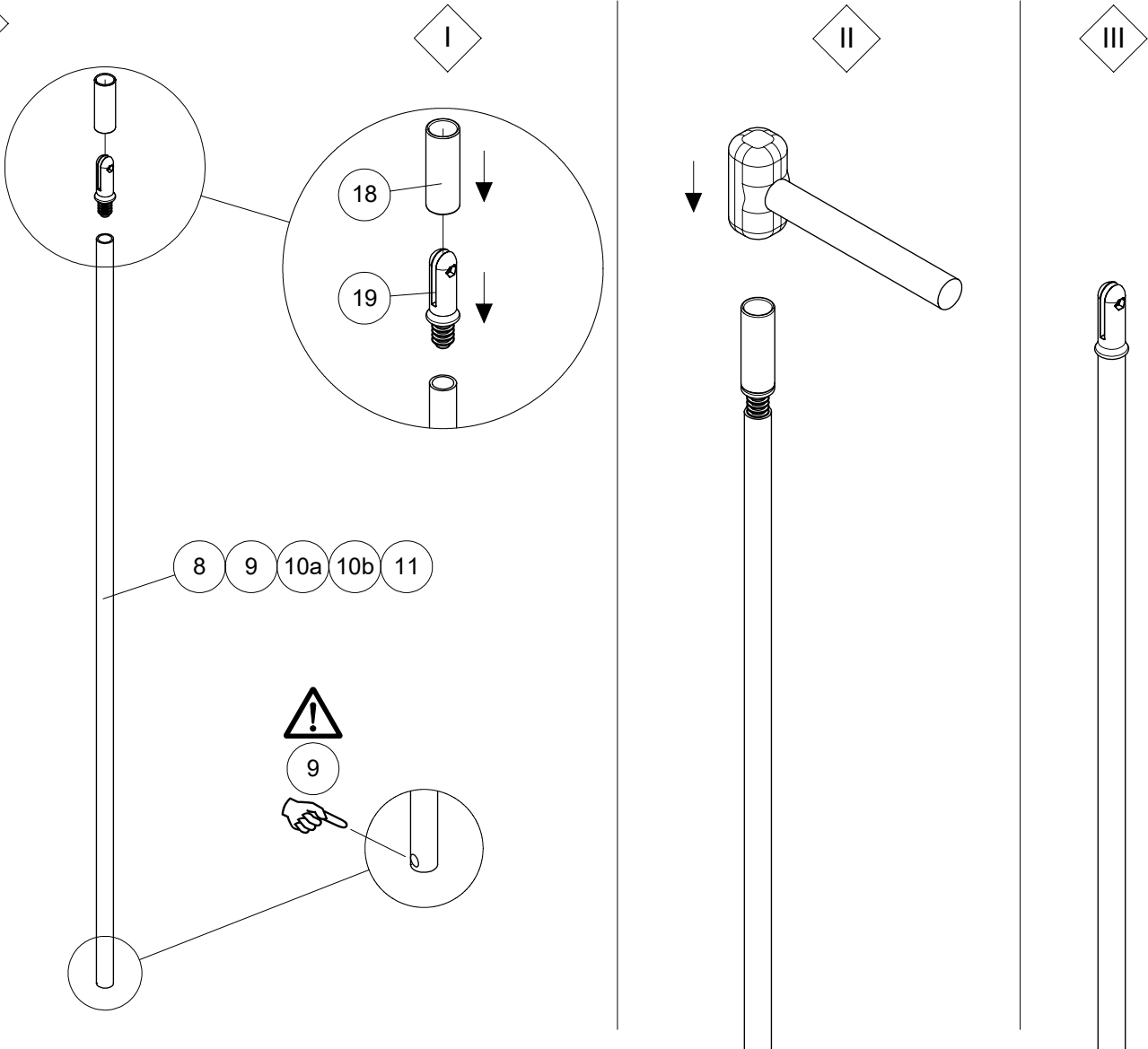


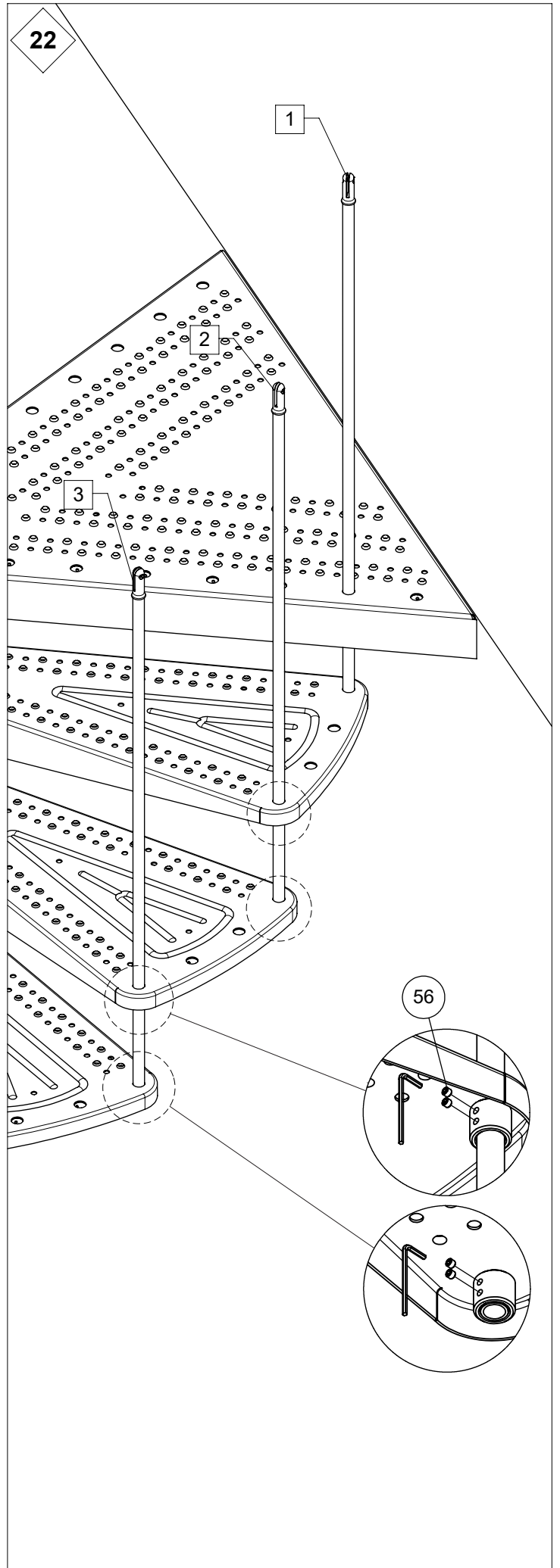
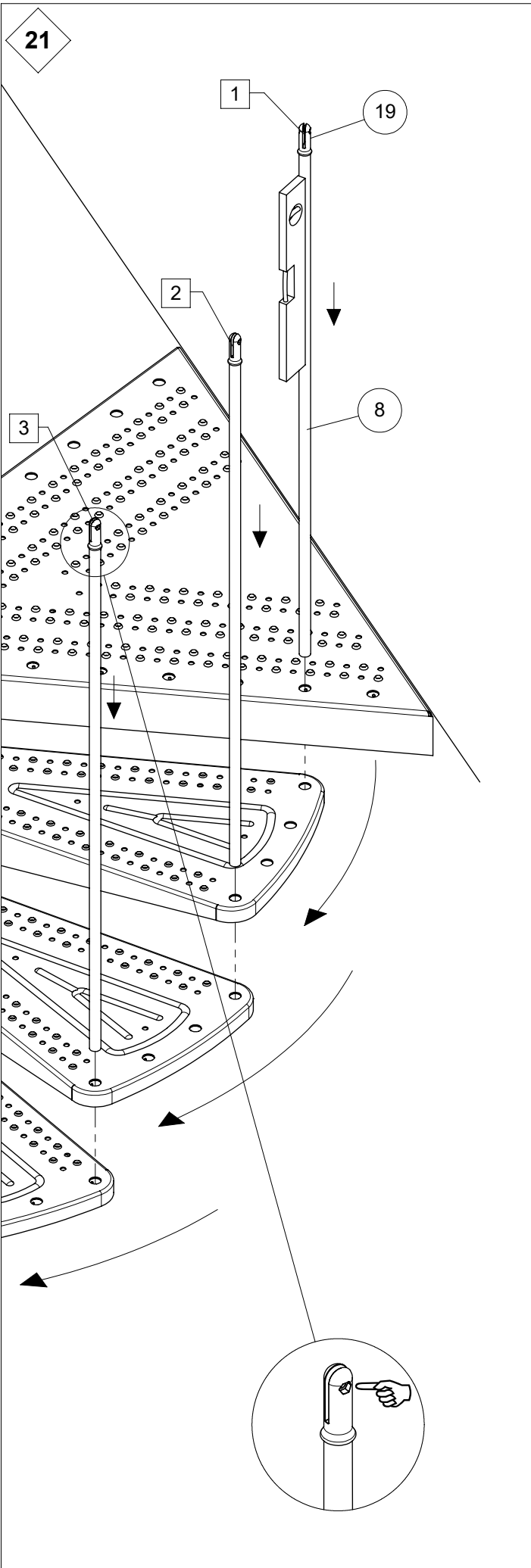


19

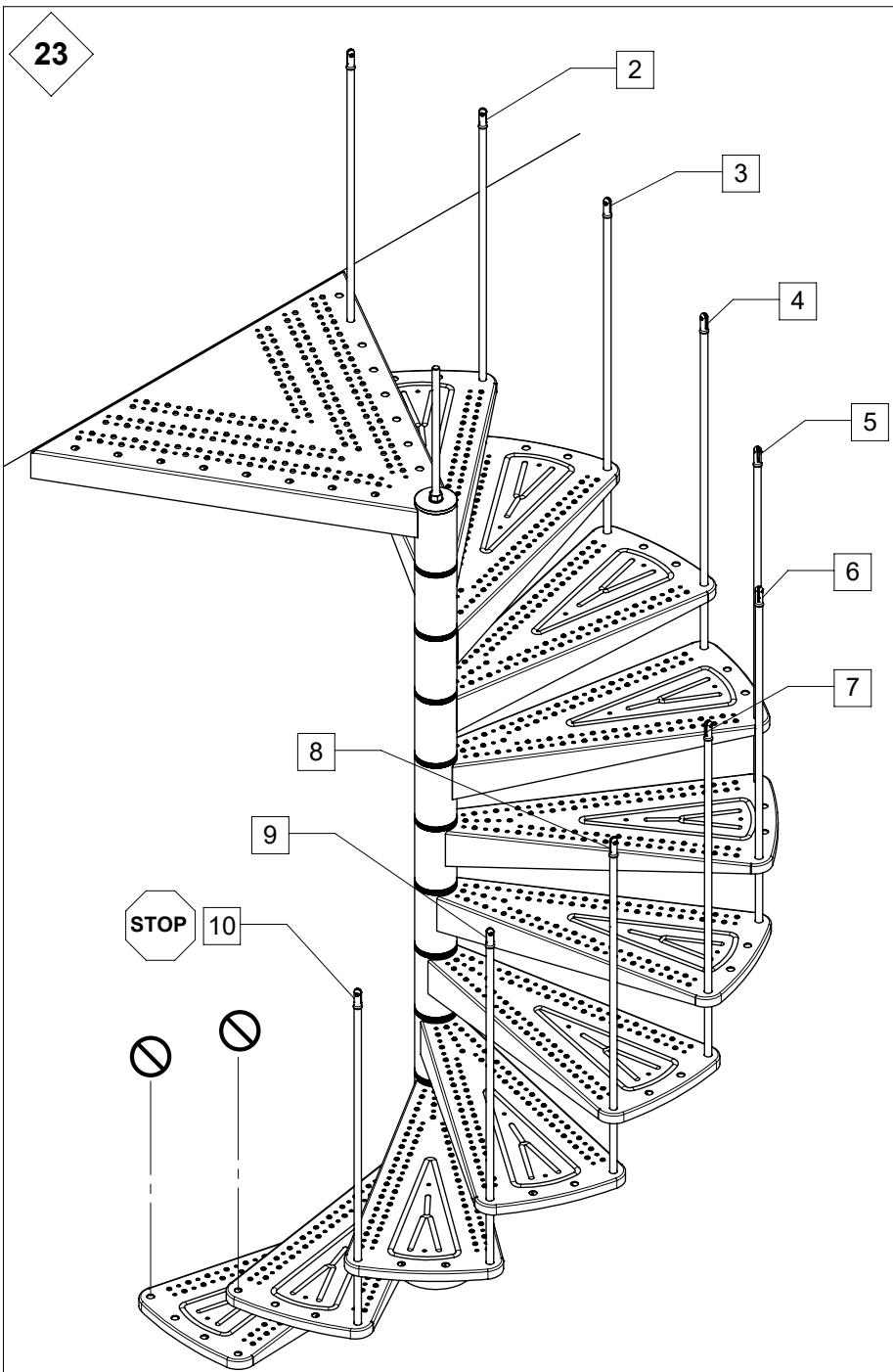


20

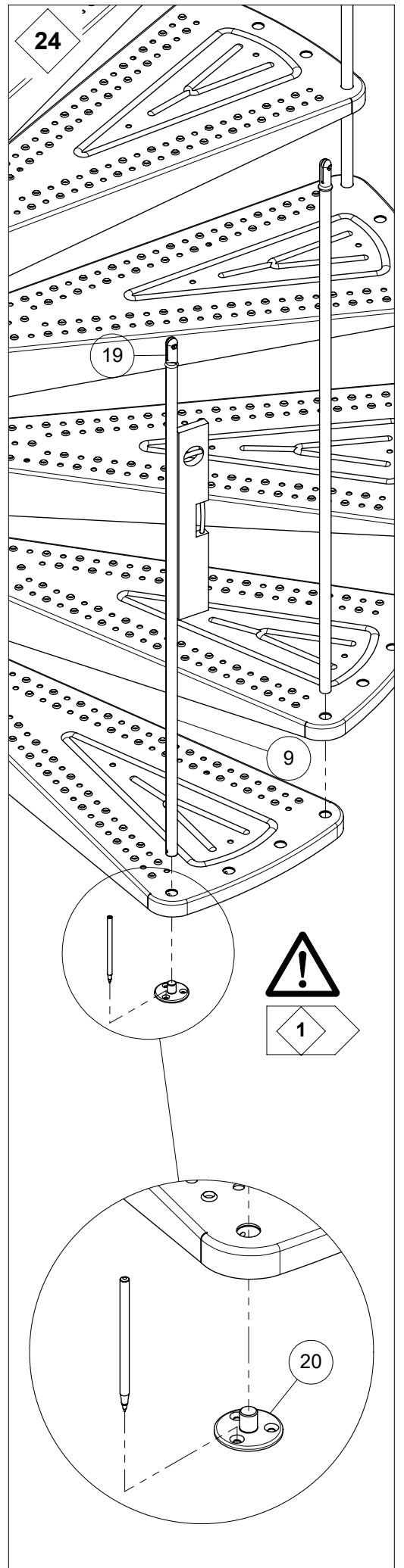


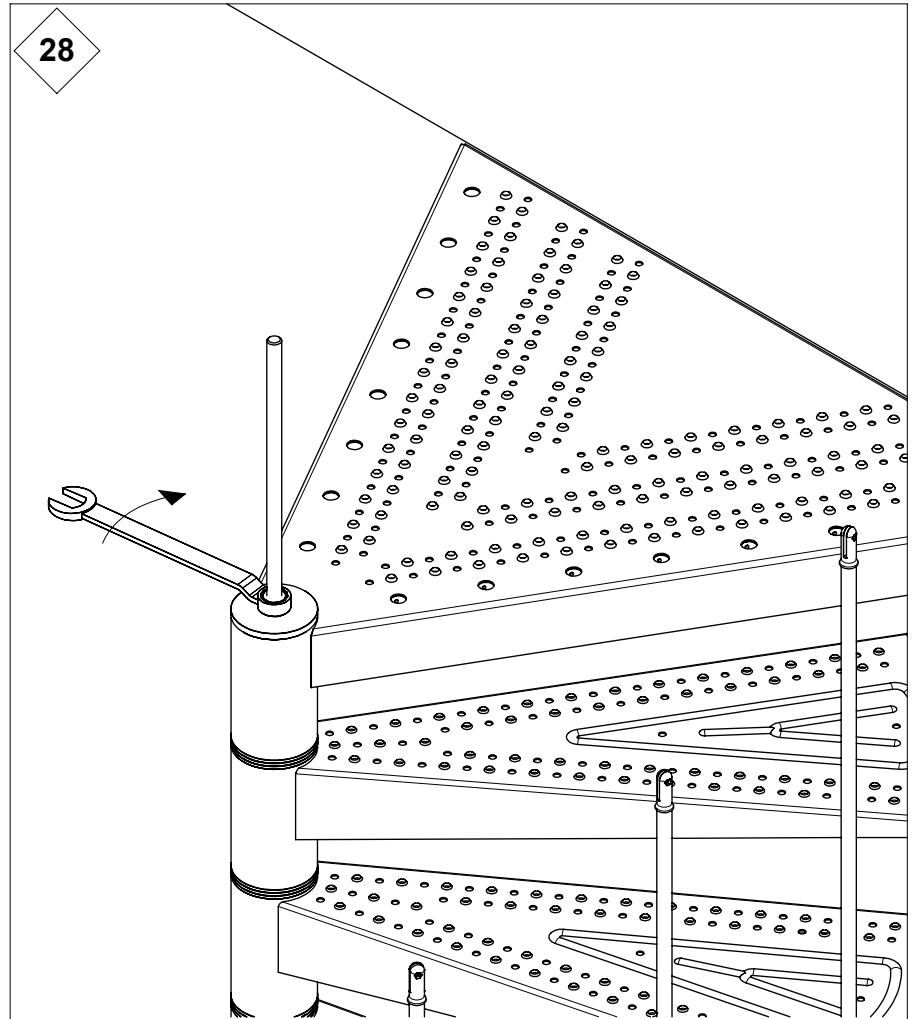
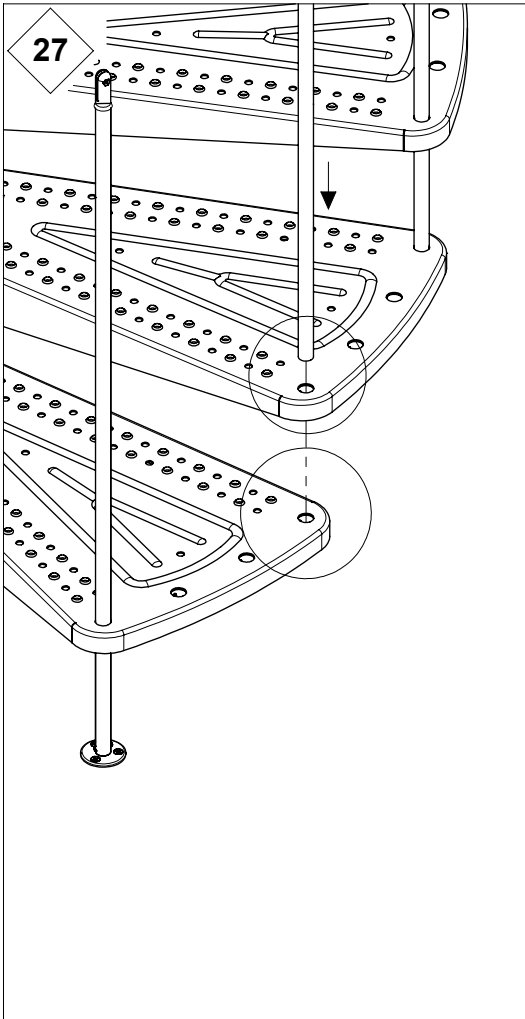
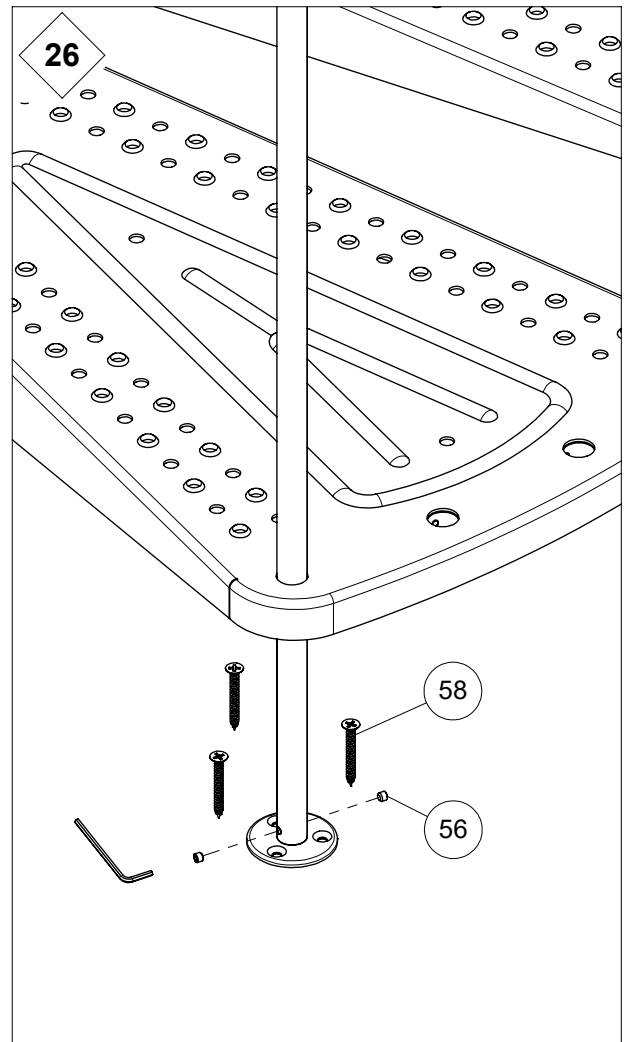
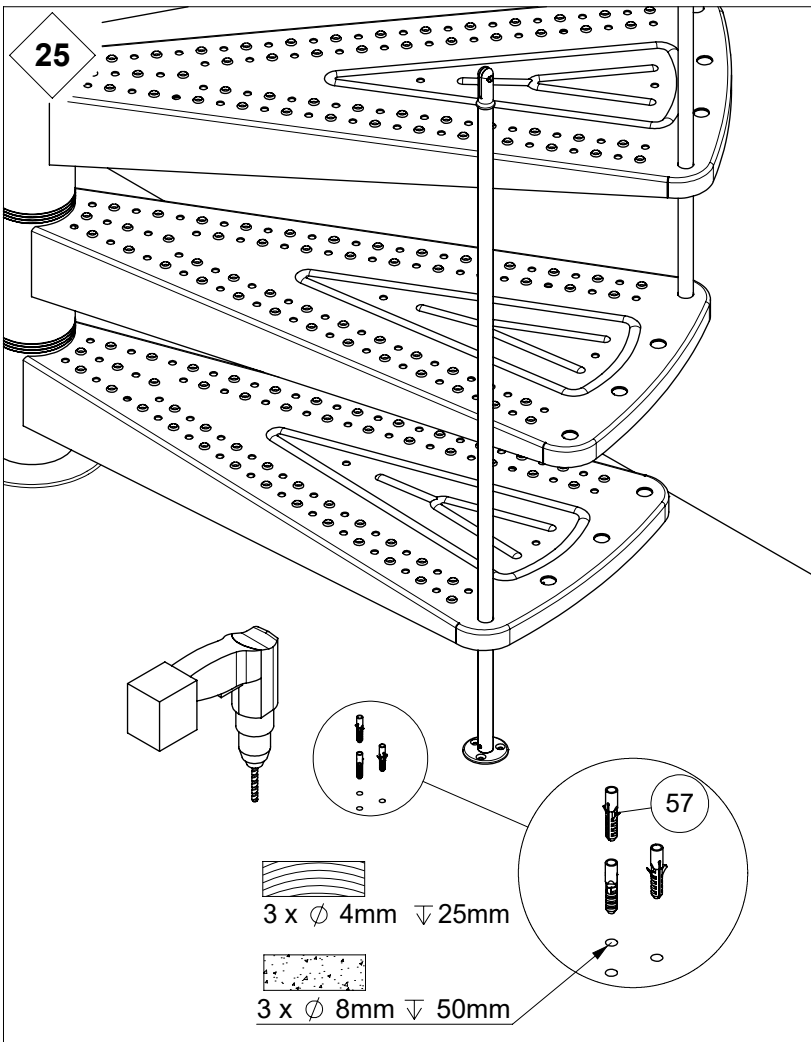


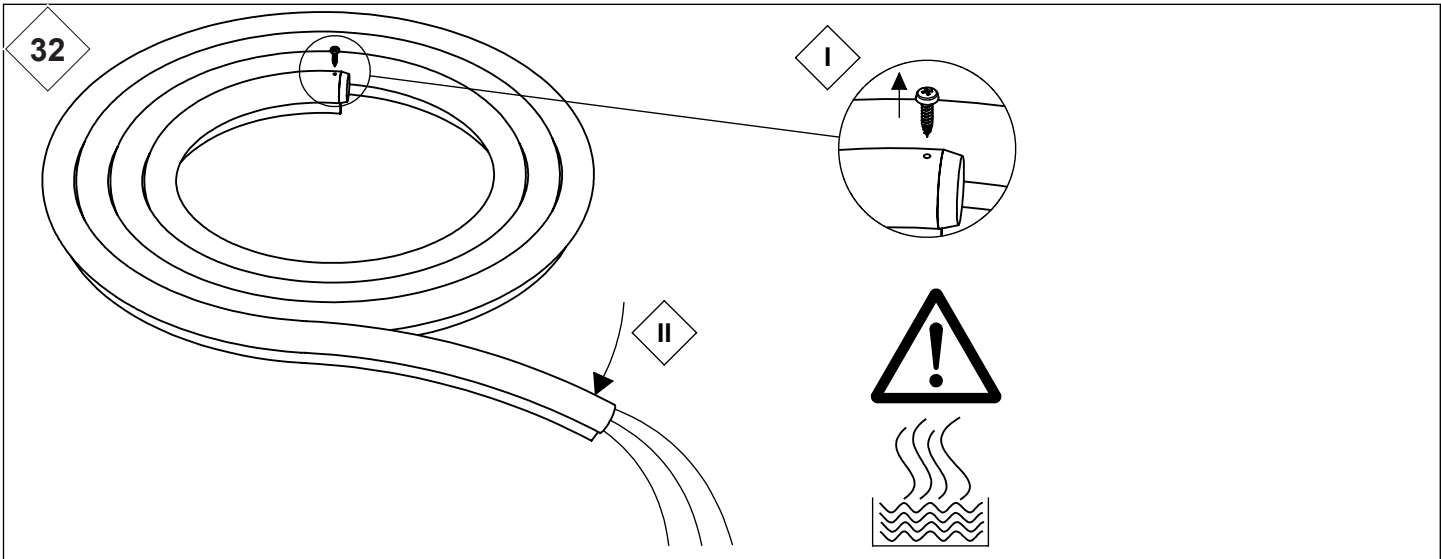
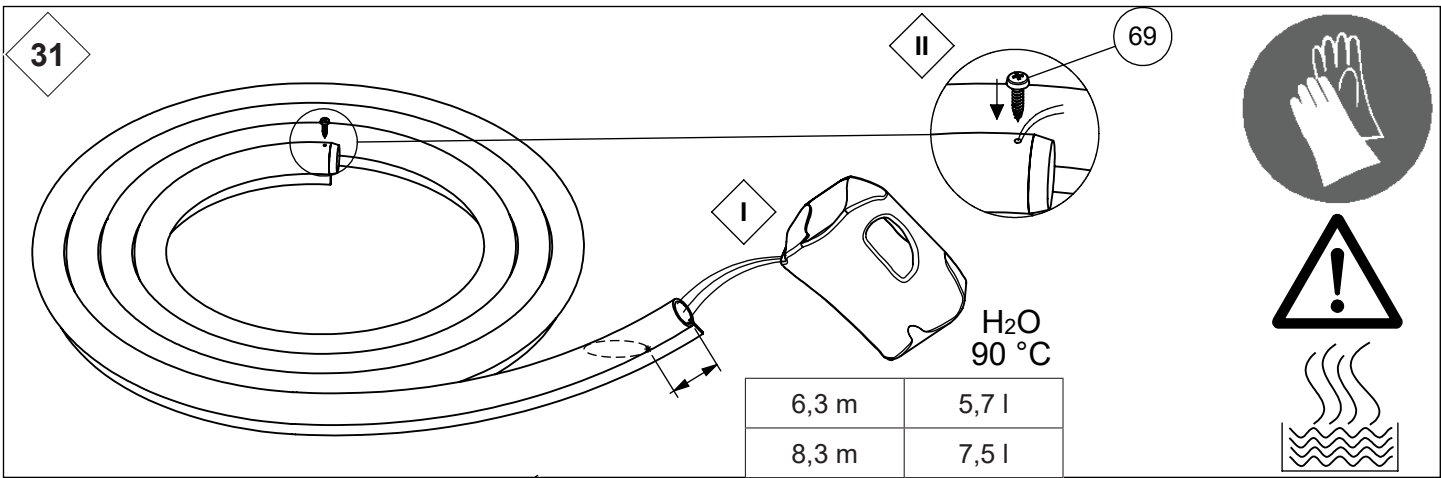
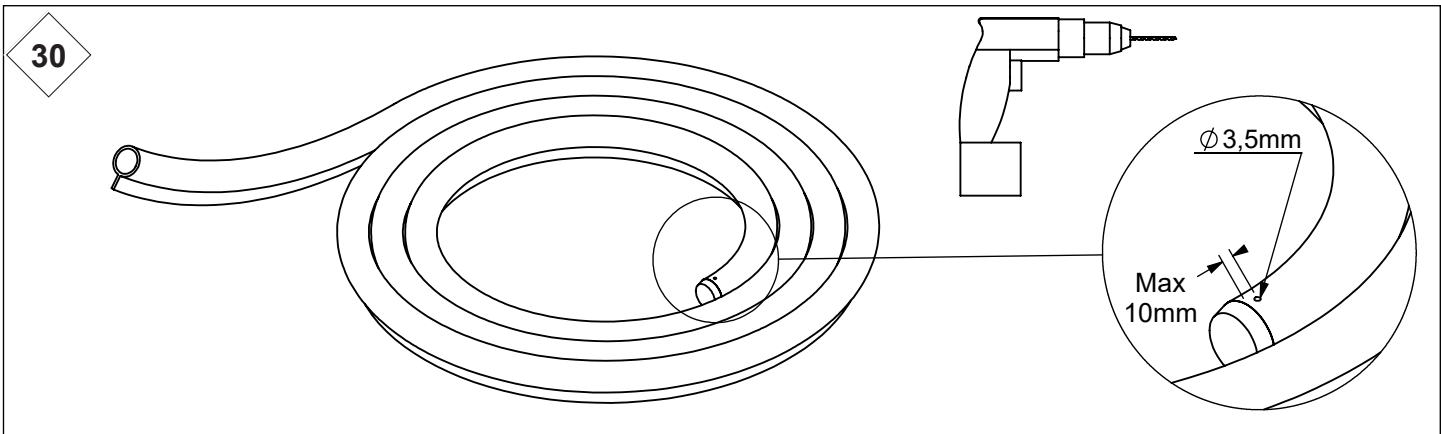
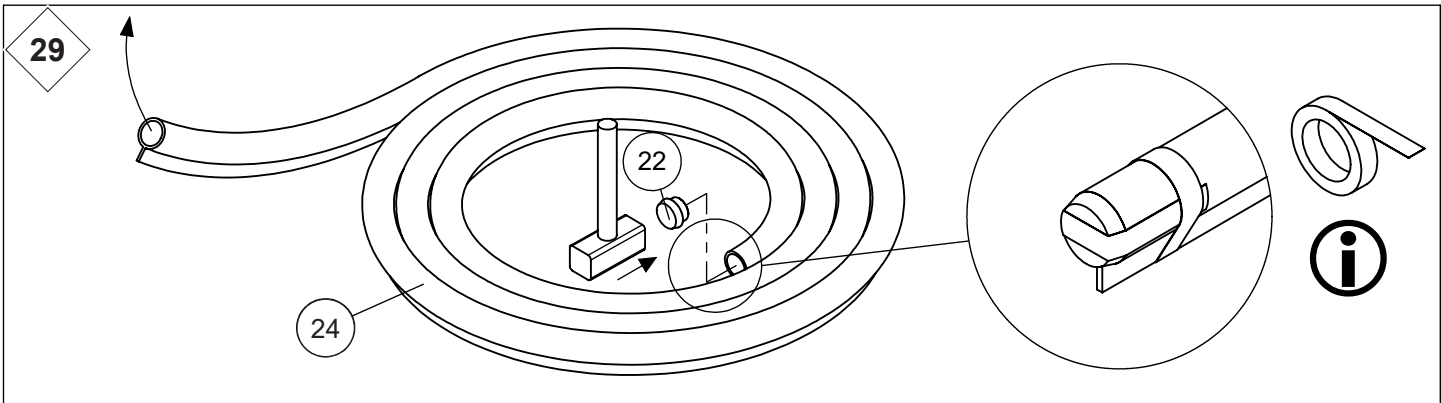
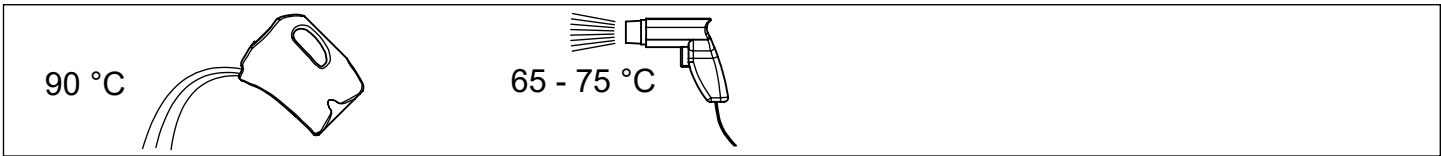
23

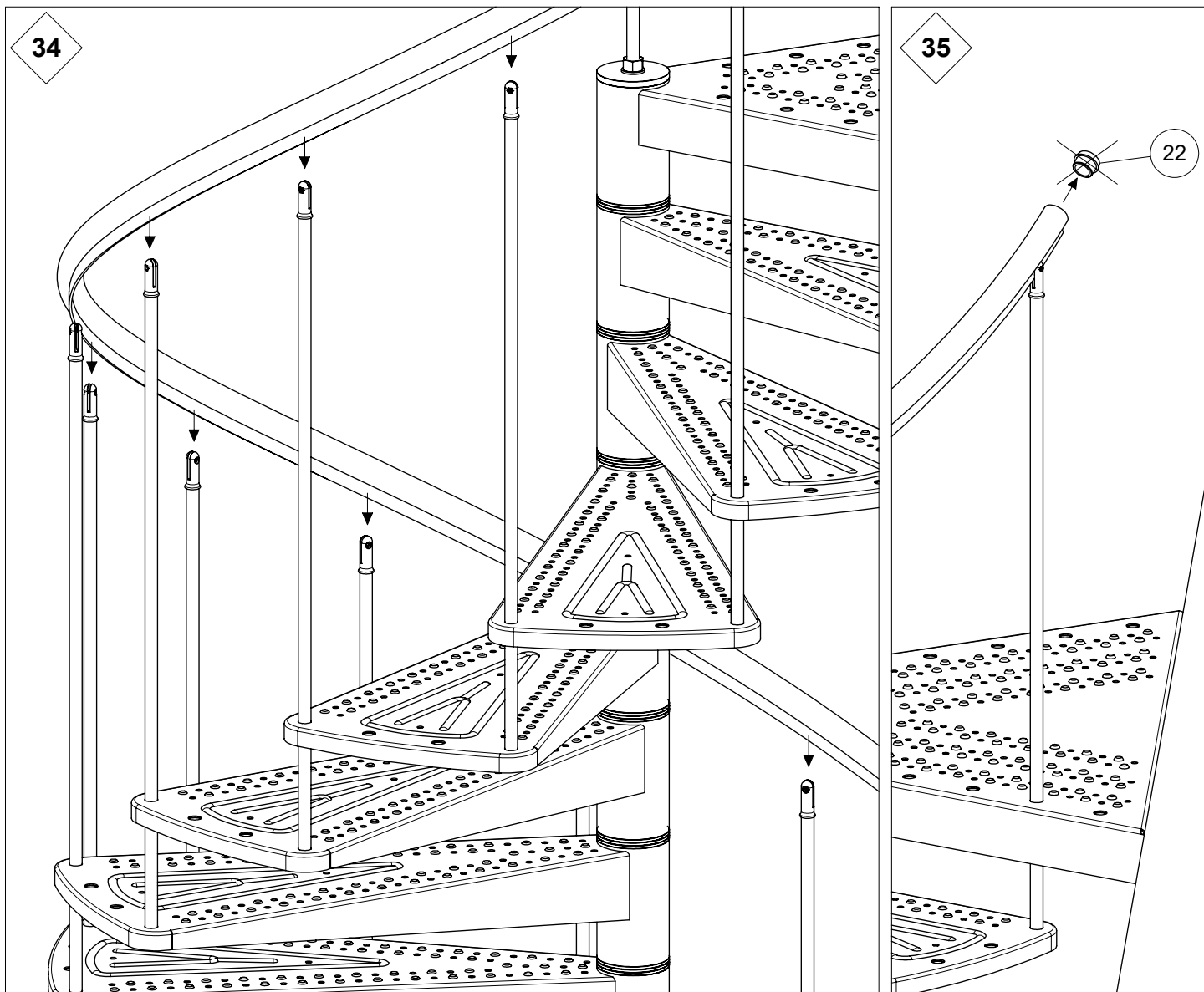
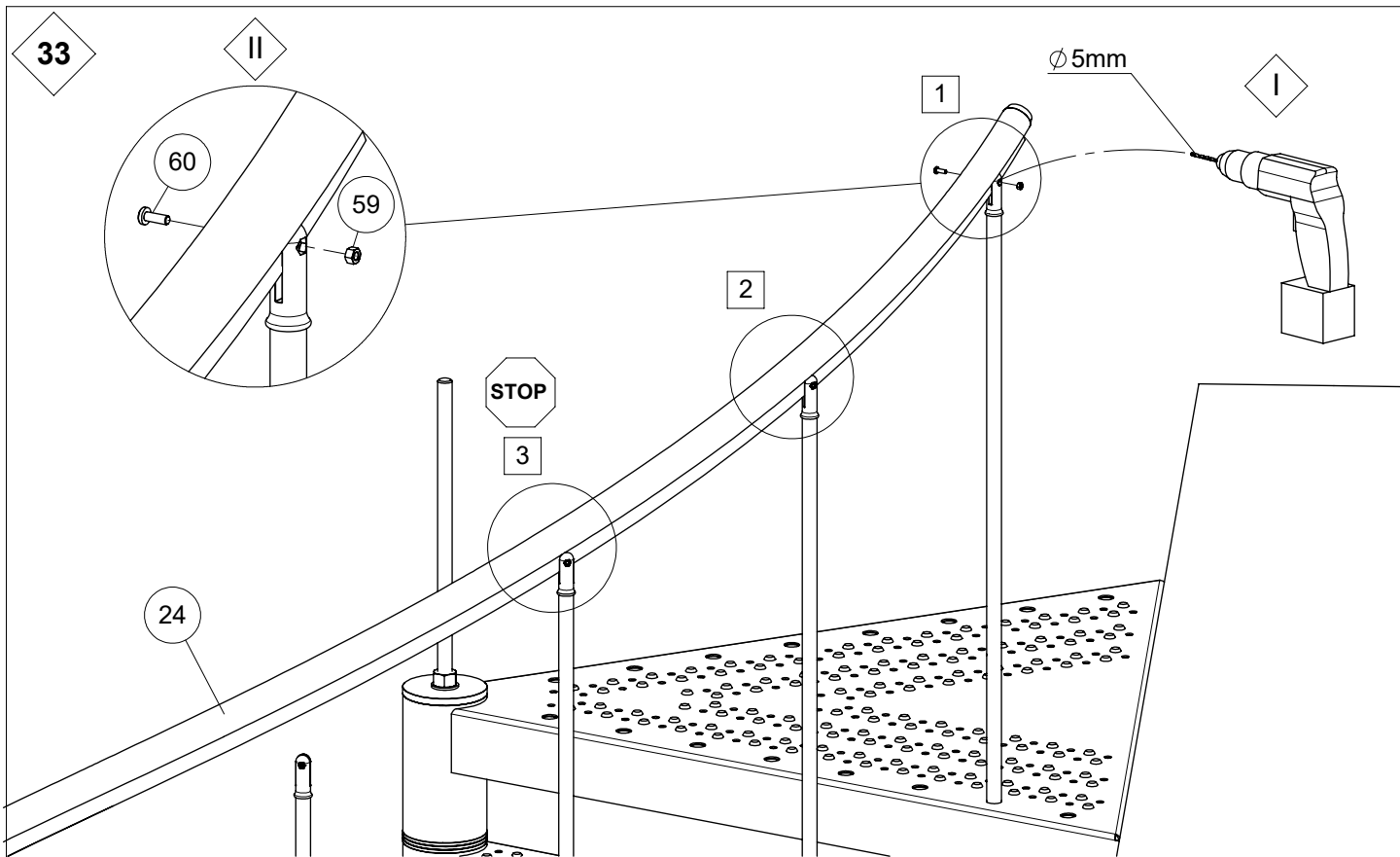


24

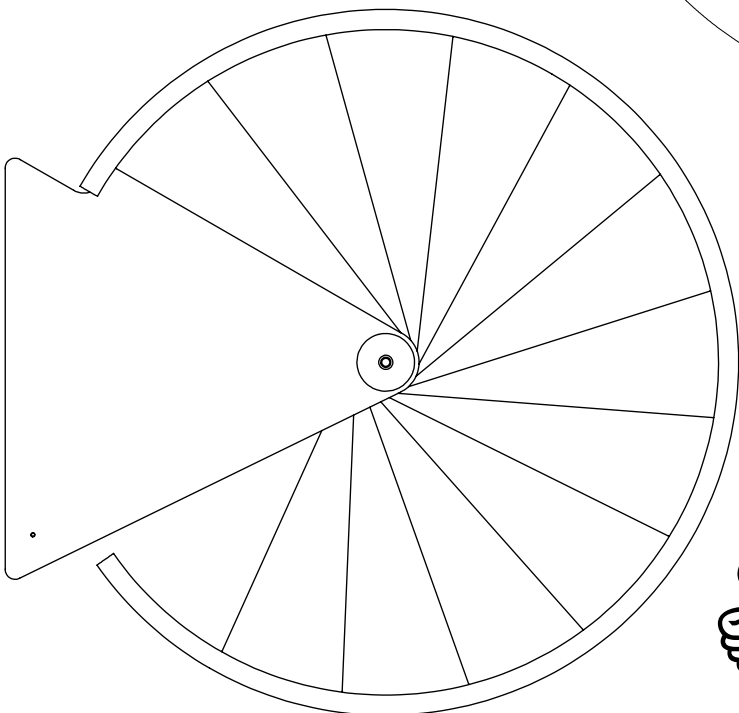
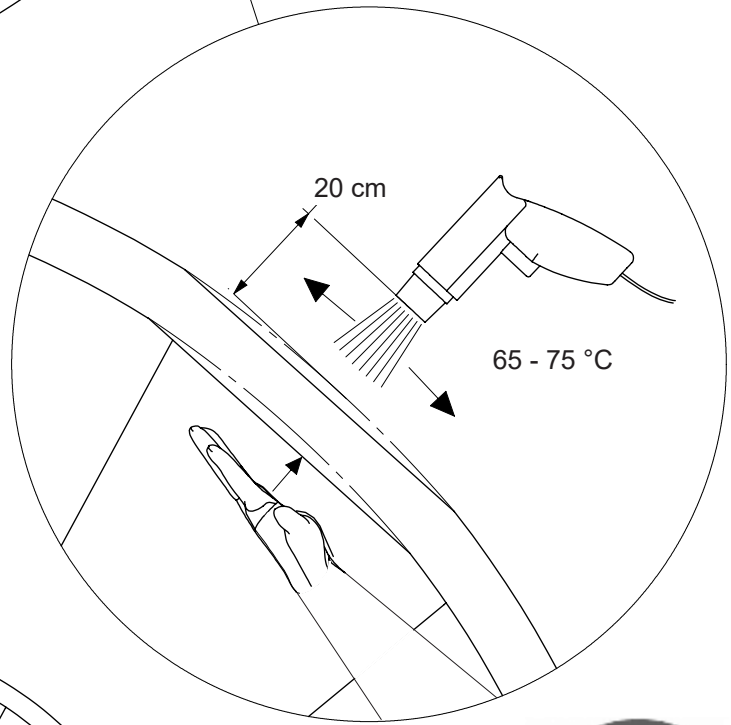
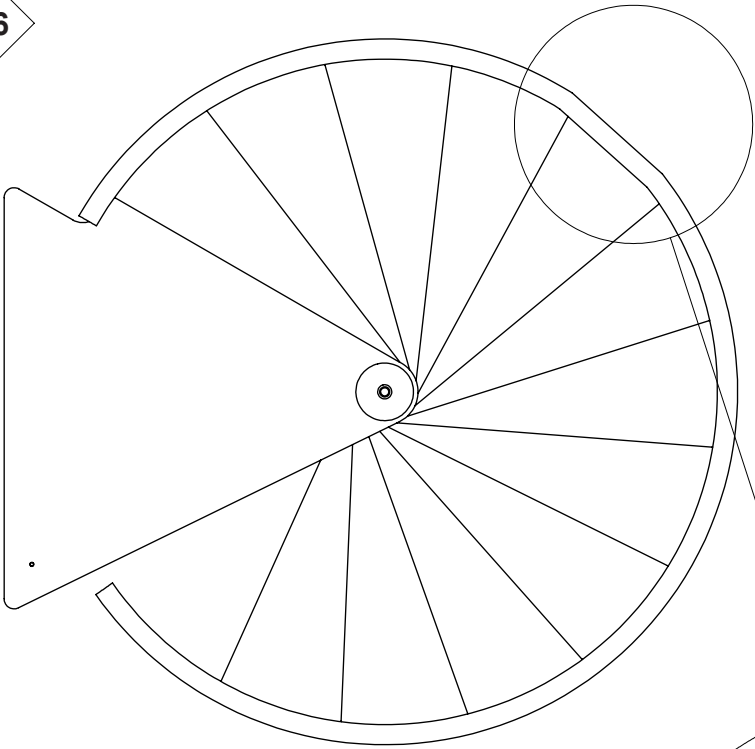


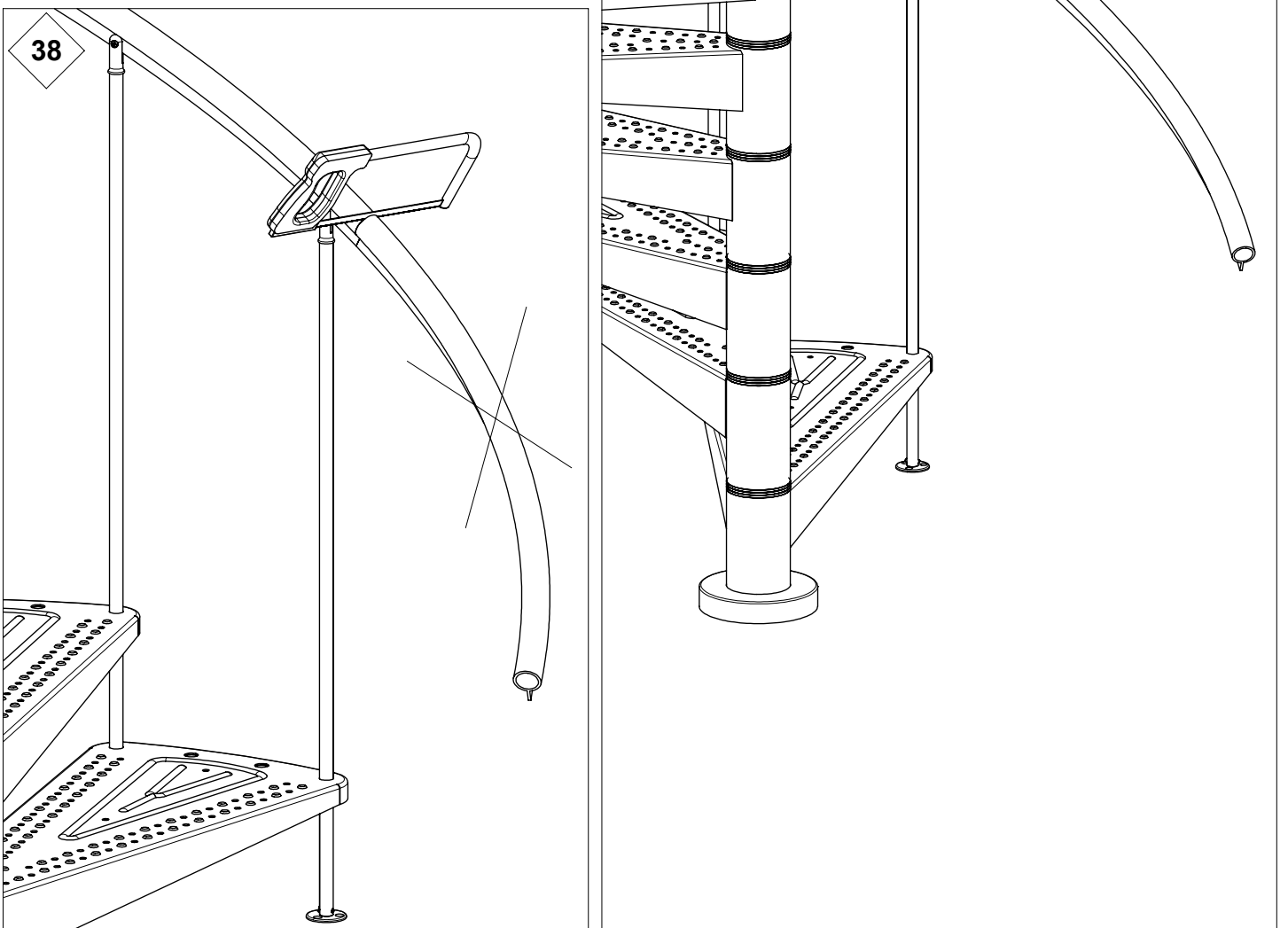
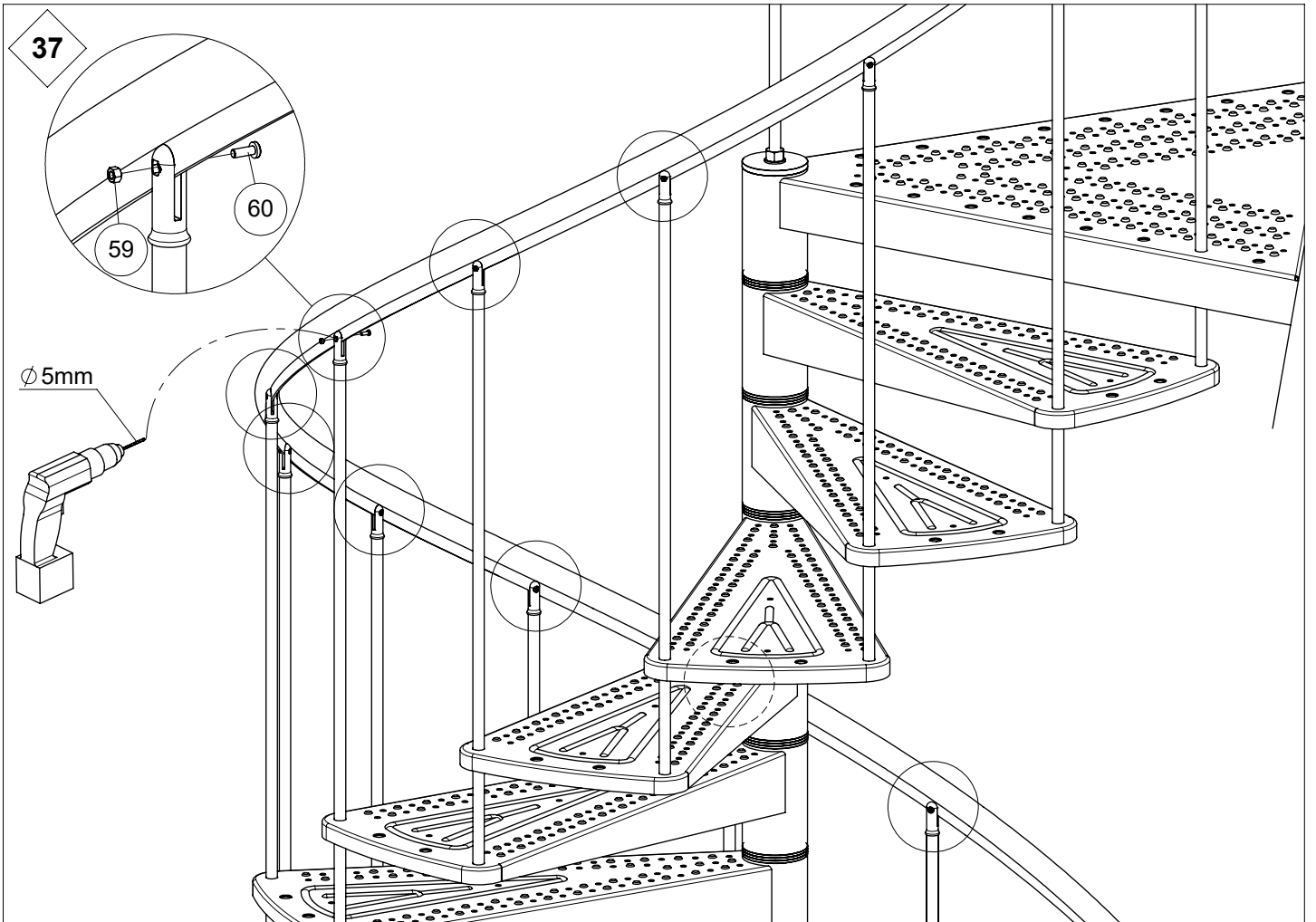




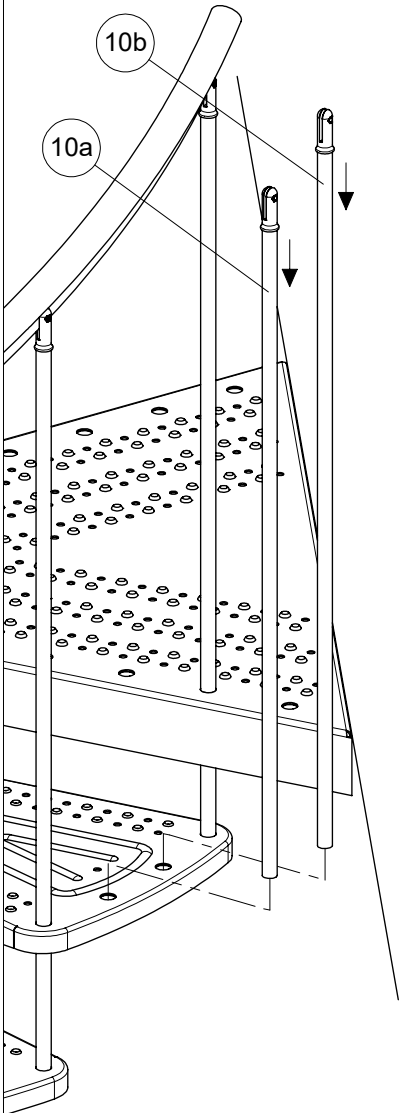


36

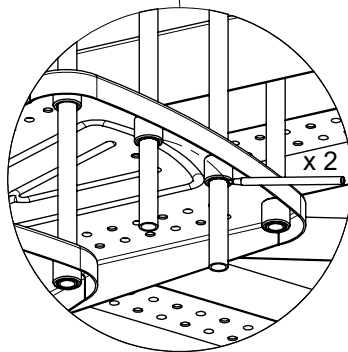
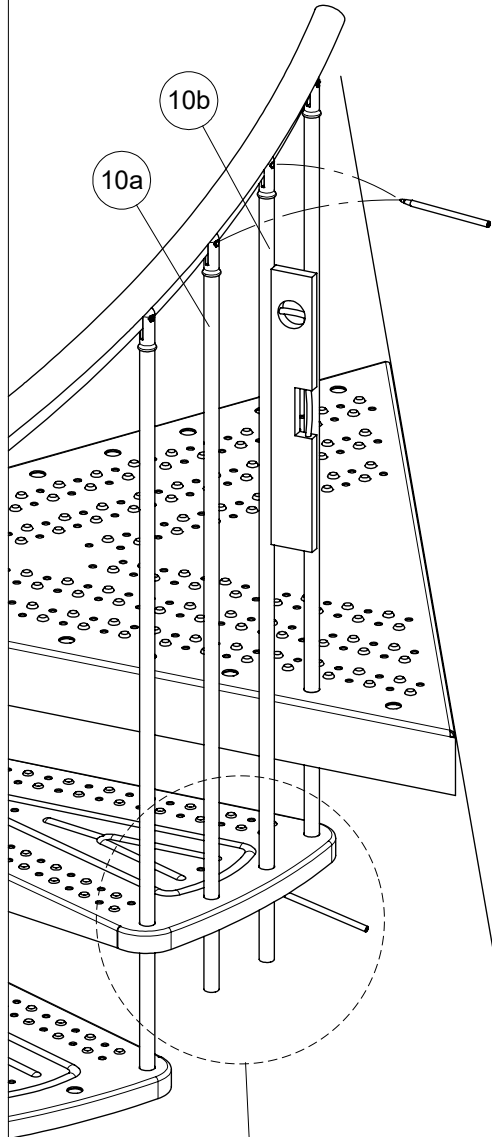




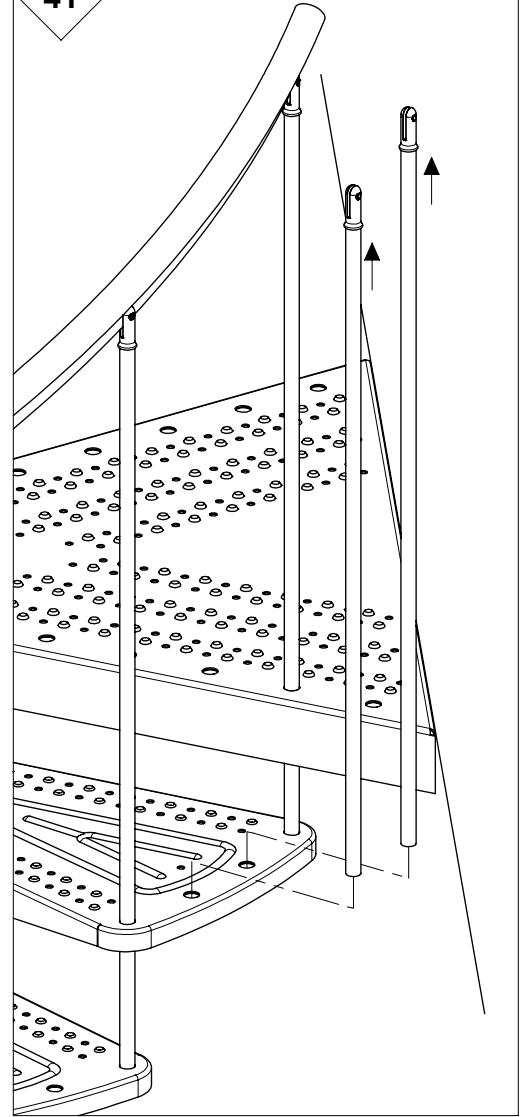
39



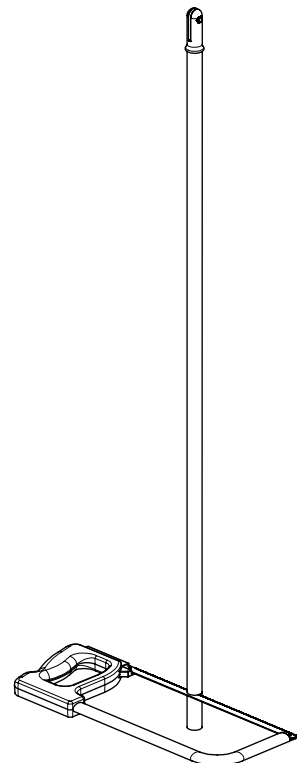
40

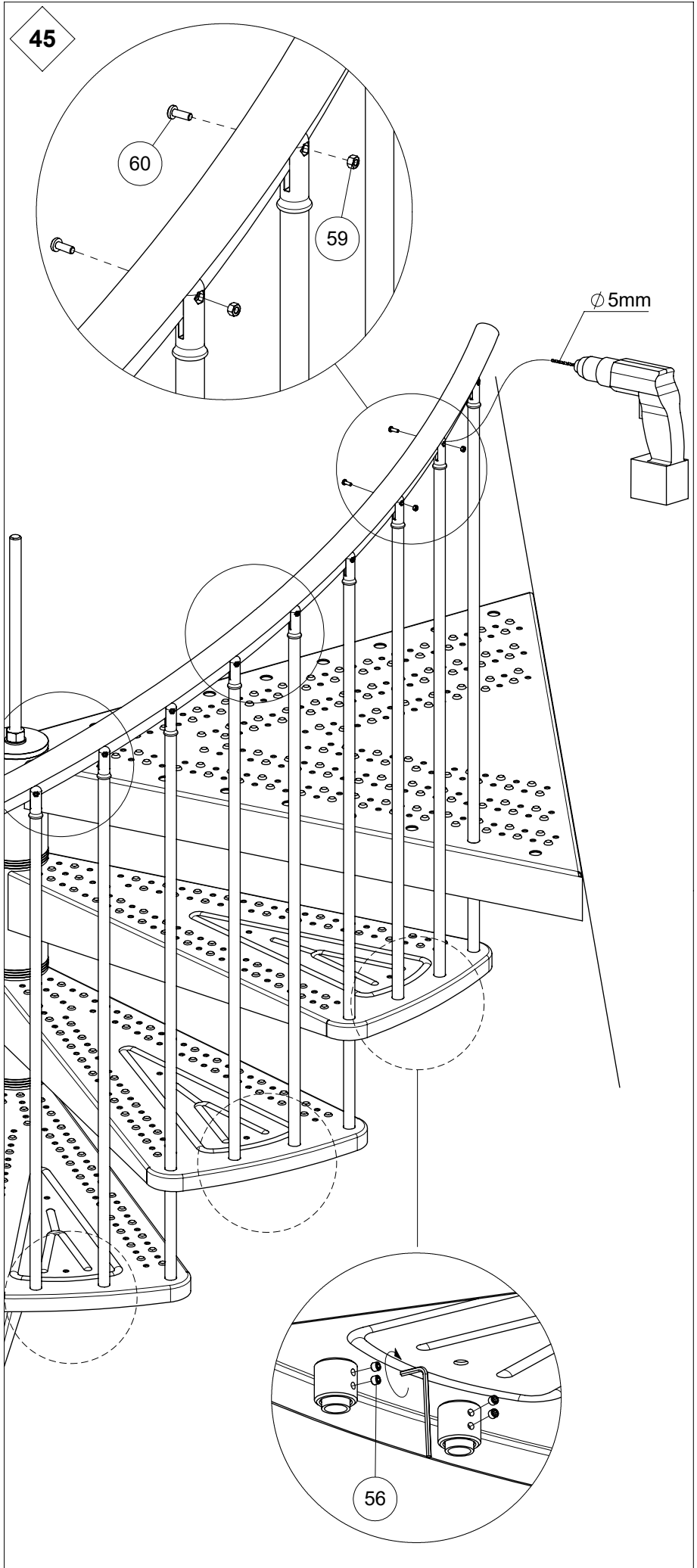
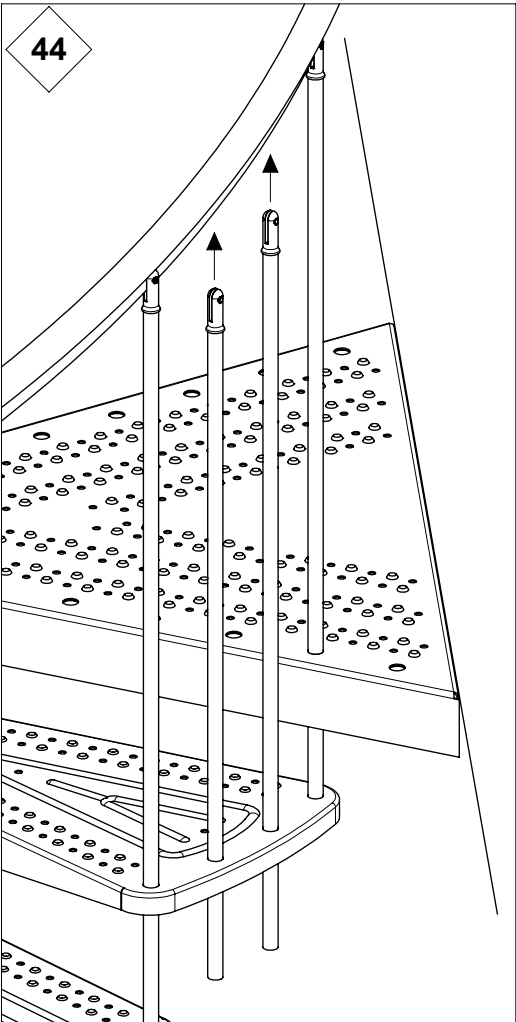
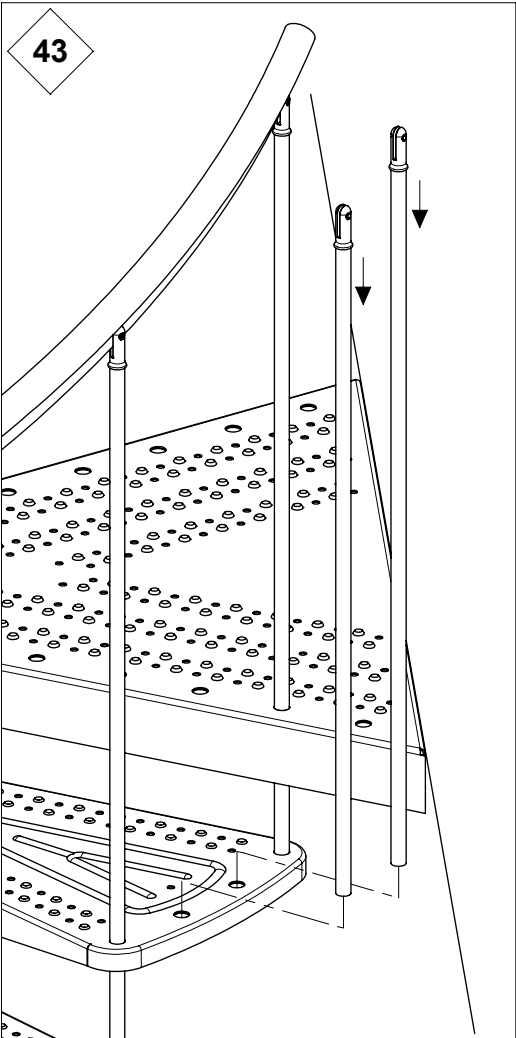


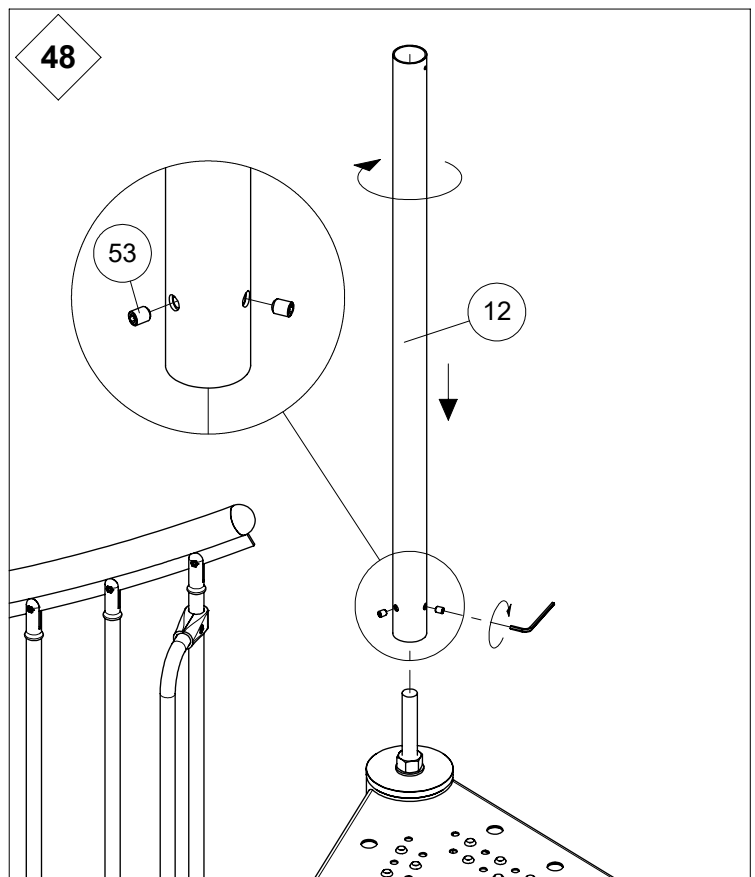
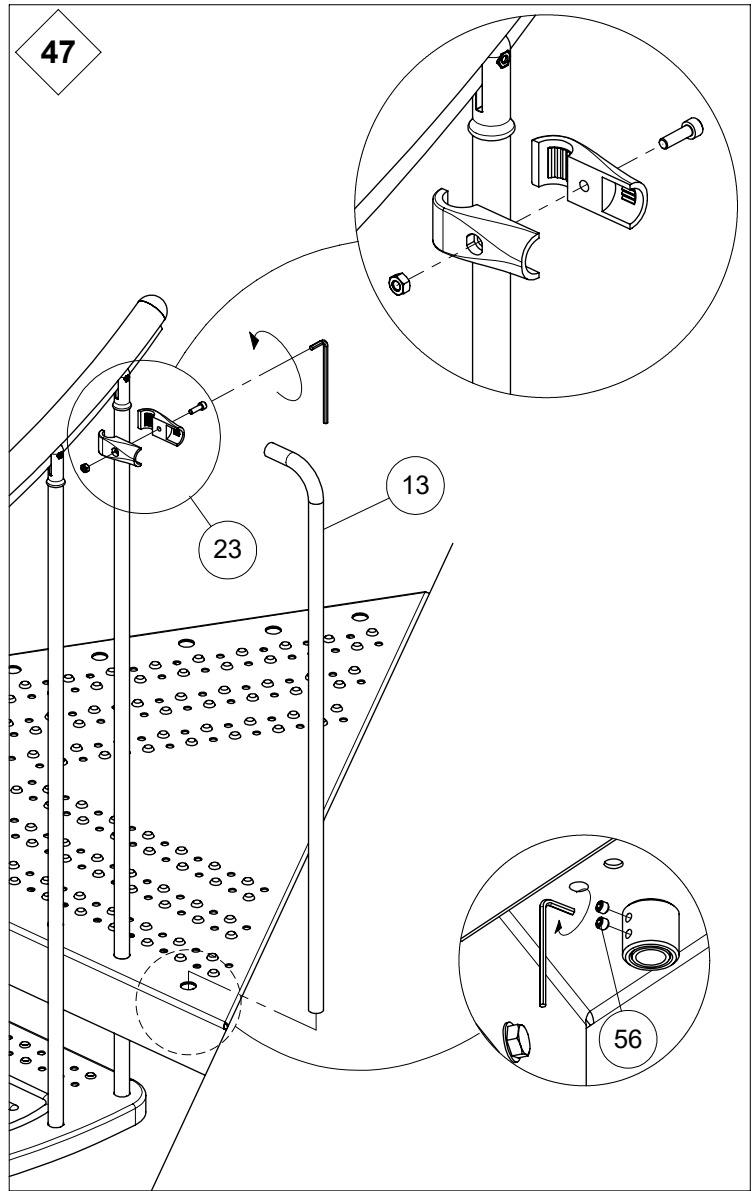
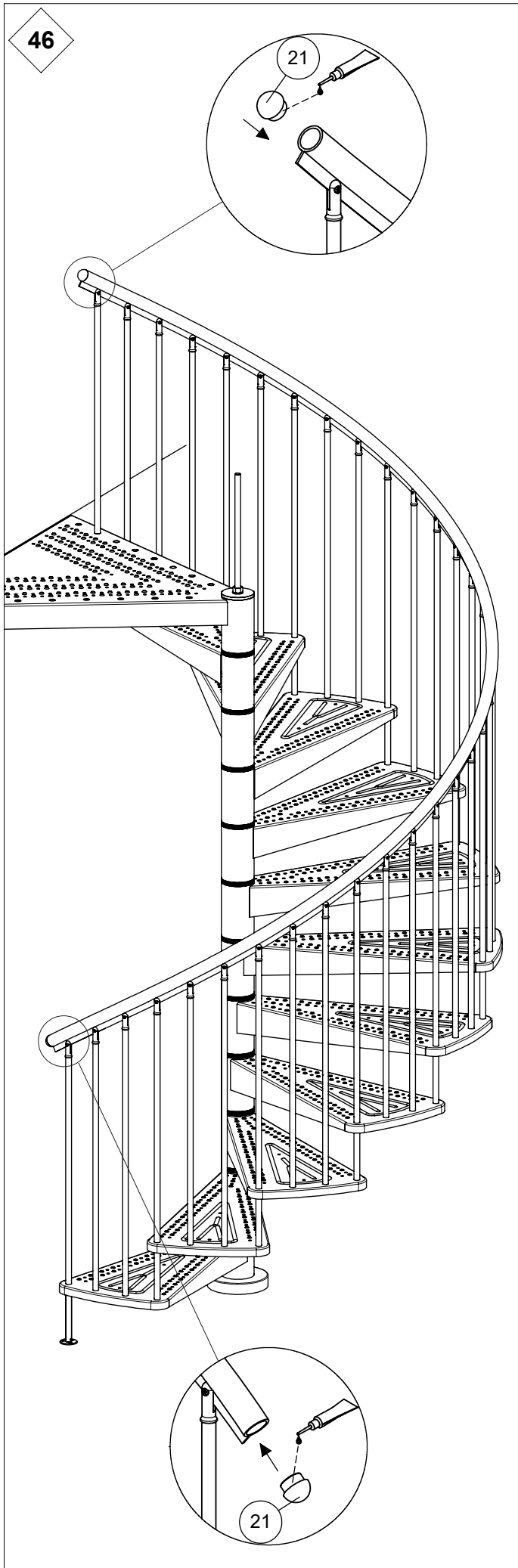
41



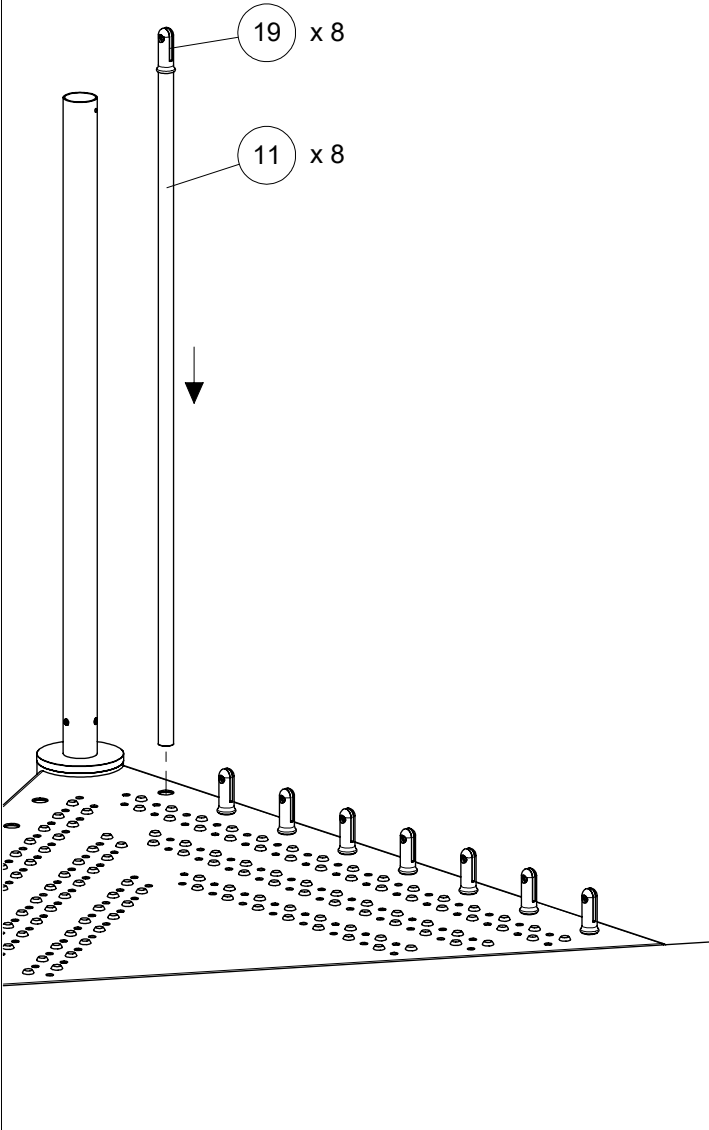
42



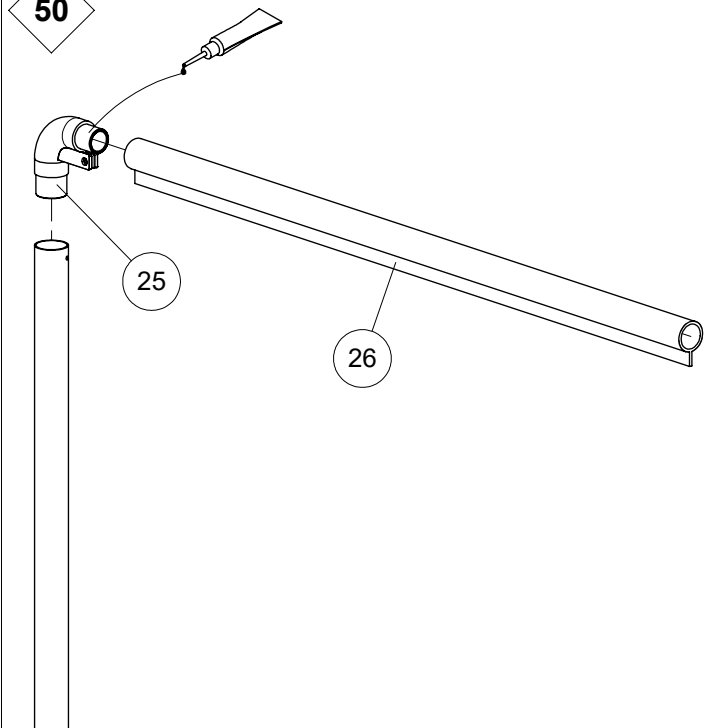




49



50



51

