
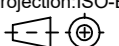
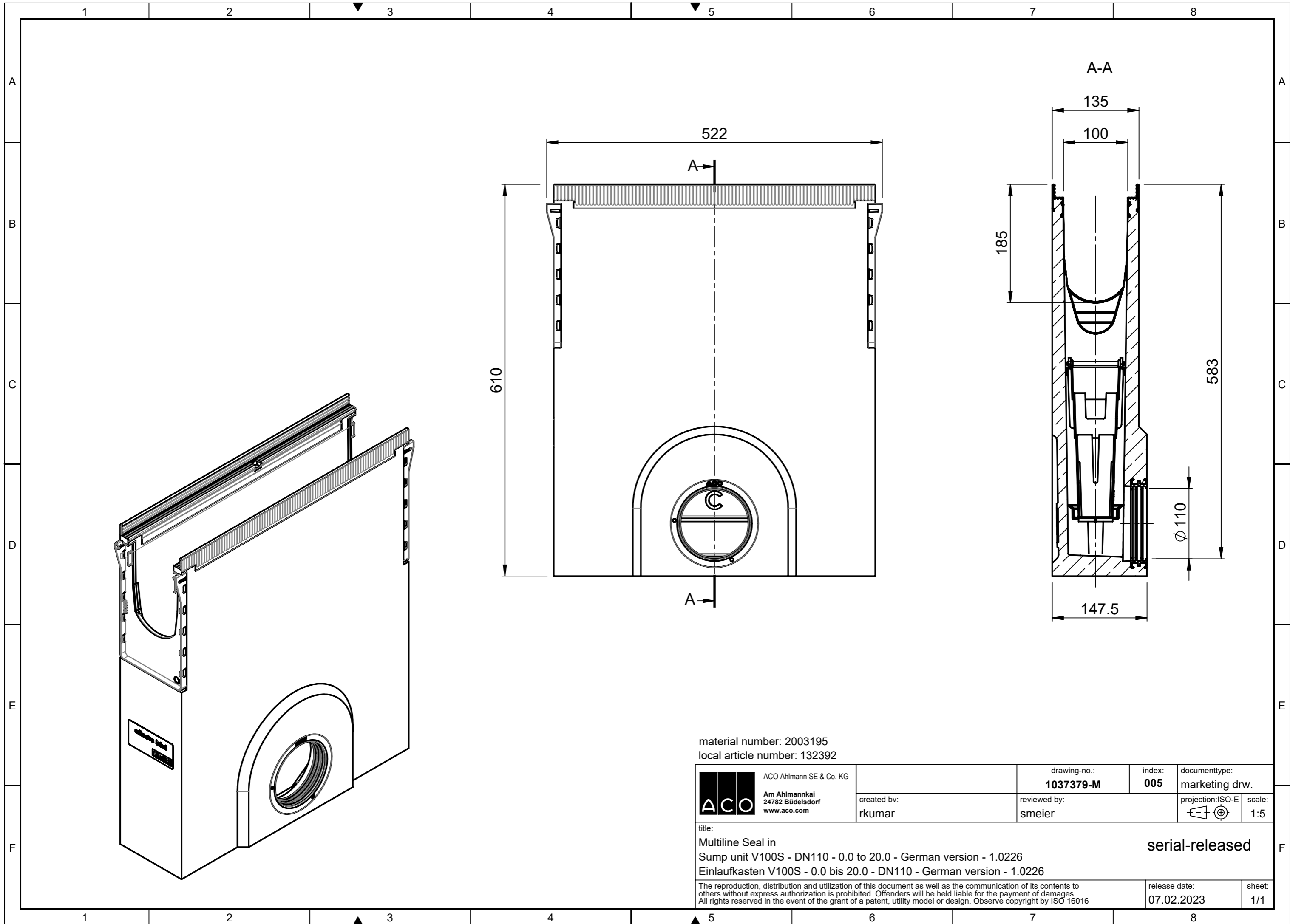

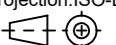


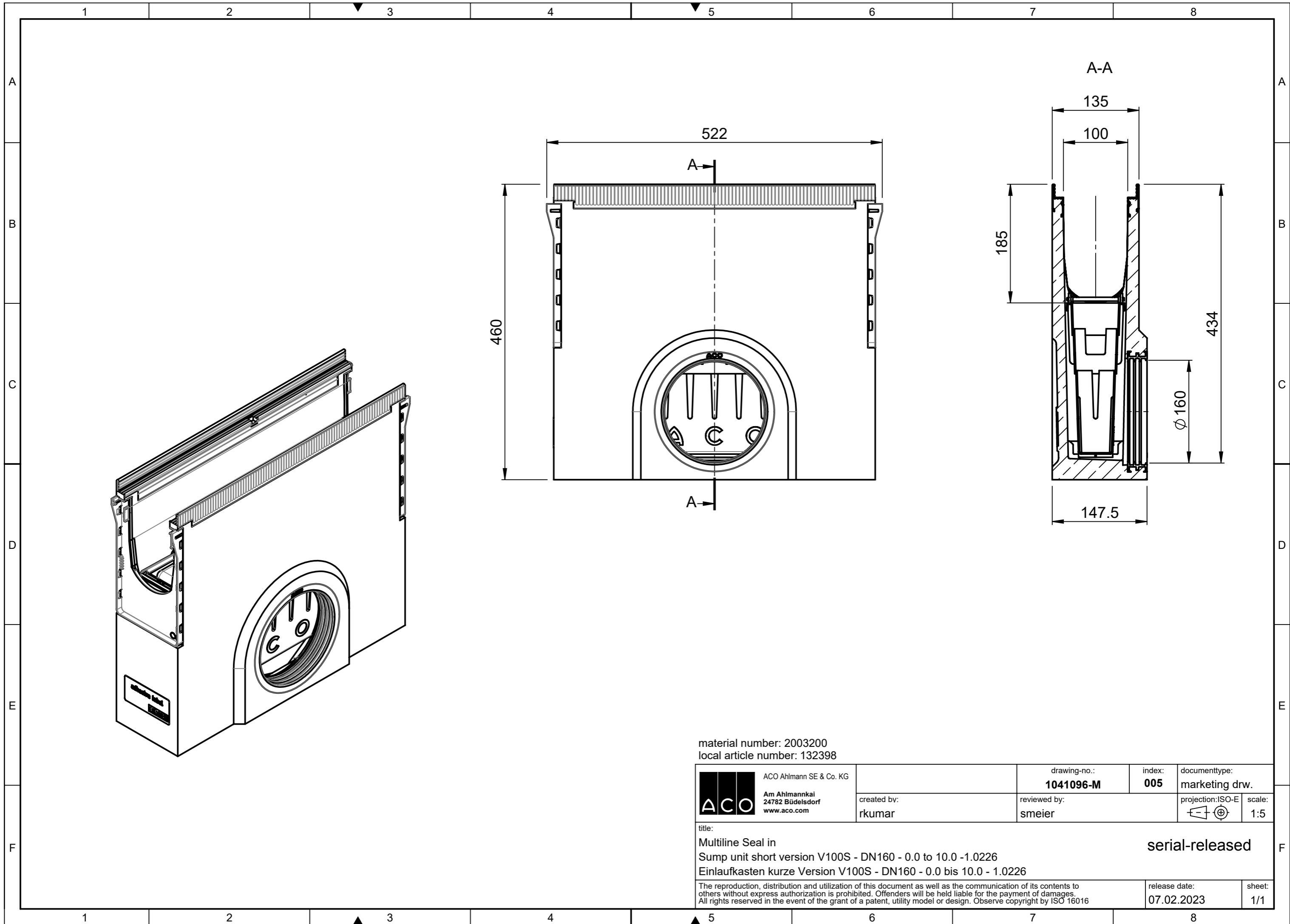
material number: 2003194  
 local article number: 132391

 ACO Ahlmann SE & Co. KG Am Ahlmannkai 24782 Büdelsdorf www.aco.com	drawing-no.: <b>1041094-M</b>	index: <b>005</b>	documenttype: marketing drw.
	created by: rkumar	reviewed by: smeier	projection: ISO-E 
title: Multiline Seal in Sump unit short version V100S - DN110 - 0.0 to 10.0 - 1.0226 Einlaufkasten kurze Version V100S - DN110 - 0.0 bis 10.0 - 1.0226			serial-released
The reproduction, distribution and utilization of this document as well as the communication of its contents to others without express authorization is prohibited. Offenders will be held liable for the payment of damages. All rights reserved in the event of the grant of a patent, utility model or design. Observe copyright by ISO 16016			release date: 07.02.2023
			sheet: 1/1


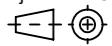


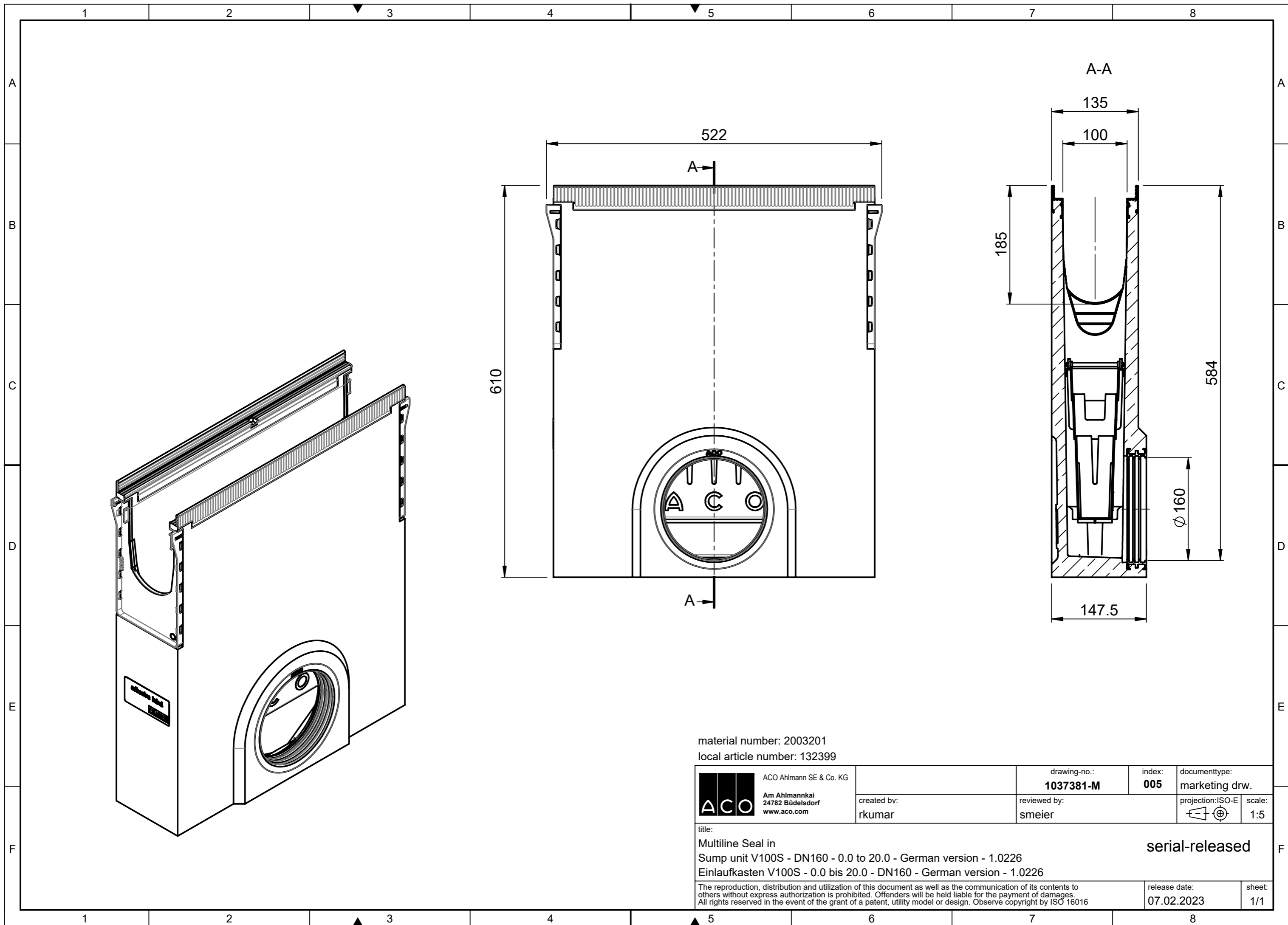
material number: 2003195  
 local article number: 132392

 ACO Ahlmann SE & Co. KG Am Ahlmannkai 24782 Büdelsdorf www.aco.com	drawing-no.: <b>1037379-M</b>	index: <b>005</b>	documenttype: marketing drw.
	created by: rkumar	reviewed by: smeier	projection: ISO-E 
title: Multiline Seal in Sump unit V100S - DN110 - 0.0 to 20.0 - German version - 1.0226 Einlaufkasten V100S - 0.0 bis 20.0 - DN110 - German version - 1.0226			serial-released
The reproduction, distribution and utilization of this document as well as the communication of its contents to others without express authorization is prohibited. Offenders will be held liable for the payment of damages. All rights reserved in the event of the grant of a patent, utility model or design. Observe copyright by ISO 16016			release date: 07.02.2023
			sheet: 1/1


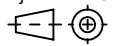


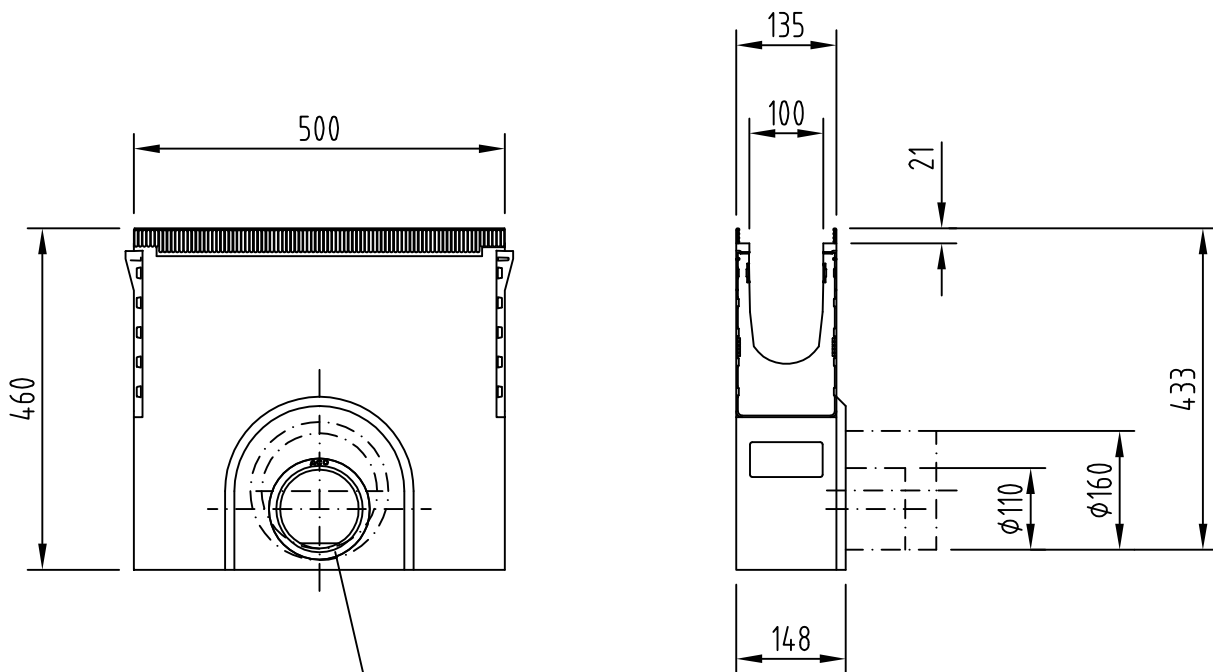
material number: 2003200  
 local article number: 132398

 ACO Ahlmann SE & Co. KG Am Ahlmannkai 24782 Büdelsdorf www.aco.com	drawing-no.: <b>1041096-M</b>	index: <b>005</b>	documenttype: marketing drw.
	created by: rkumar	reviewed by: smeier	projection: ISO-E 
title: <b>Multiline Seal in Sump unit short version V100S - DN160 - 0.0 to 10.0 - 1.0226</b> <b>Einlaufkasten kurze Version V100S - DN160 - 0.0 bis 10.0 - 1.0226</b>			serial-released
<small>The reproduction, distribution and utilization of this document as well as the communication of its contents to others without express authorization is prohibited. Offenders will be held liable for the payment of damages. All rights reserved in the event of the grant of a patent, utility model or design. Observe copyright by ISO 16016</small>			release date: <b>07.02.2023</b>
			sheet: <b>1/1</b>

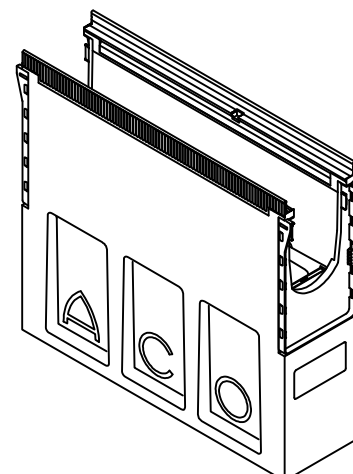
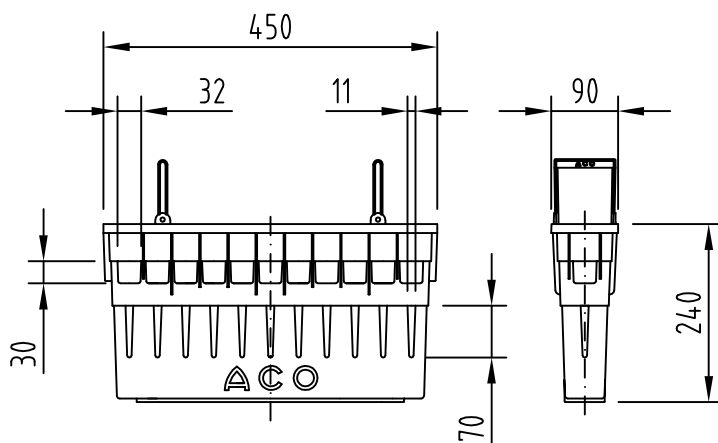
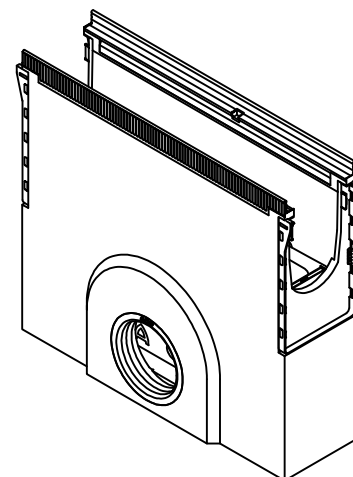
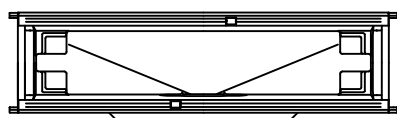


material number: 2003201  
 local article number: 132399

 ACO Ahlmann SE & Co. KG Am Ahlmannkai 24782 Büdelsdorf www.aco.com	drawing-no.: <b>1037381-M</b>	index: <b>005</b>	documenttype: marketing drw.
	created by: rkumar	reviewed by: smeier	projection: ISO-E 
title: Multiline Seal in Sump unit V100S - DN160 - 0.0 to 20.0 - German version - 1.0226 Einlaufkasten V100S - 0.0 bis 20.0 - DN160 - German version - 1.0226			serial-released
The reproduction, distribution and utilization of this document as well as the communication of its contents to others without express authorization is prohibited. Offenders will be held liable for the payment of damages. All rights reserved in the event of the grant of a patent, utility model or design. Observe copyright by ISO 16016			release date: 07.02.2023
			sheet: 1/1



Lippenlabyrinth-Dichtung  
DN/OD 110 oder DN/OD 160



Einlaufkasten mit Anschluss	Zarge Stahl verz. Art.-Nr.	Zarge Edelstahl V2A. Art.-Nr.
DN/OD 110	132391	132491
DN/OD 160	132398	132498

Benennung:  
ACO DRAIN Multiline V 100 Seal in, Einlaufkasten KF  
mit Eimer, Bauhöhe 46 cm, DN/OD 110 / DN/OD 160  
Art.-Nr. 132391, 132398, 132491, 132498

	Datum	Name
Gez.	25.04.2016	debeling
Upd.	18.01.2017	debeling
Norm		



**ACO Tiefbau**

ACO Tiefbau Vertrieb GmbH  
24755 Rendsburg, Postfach 320  
Tel. 04331 / 354-590  
Fax 04331 / 354-350  
www.aco-tiefbau.de

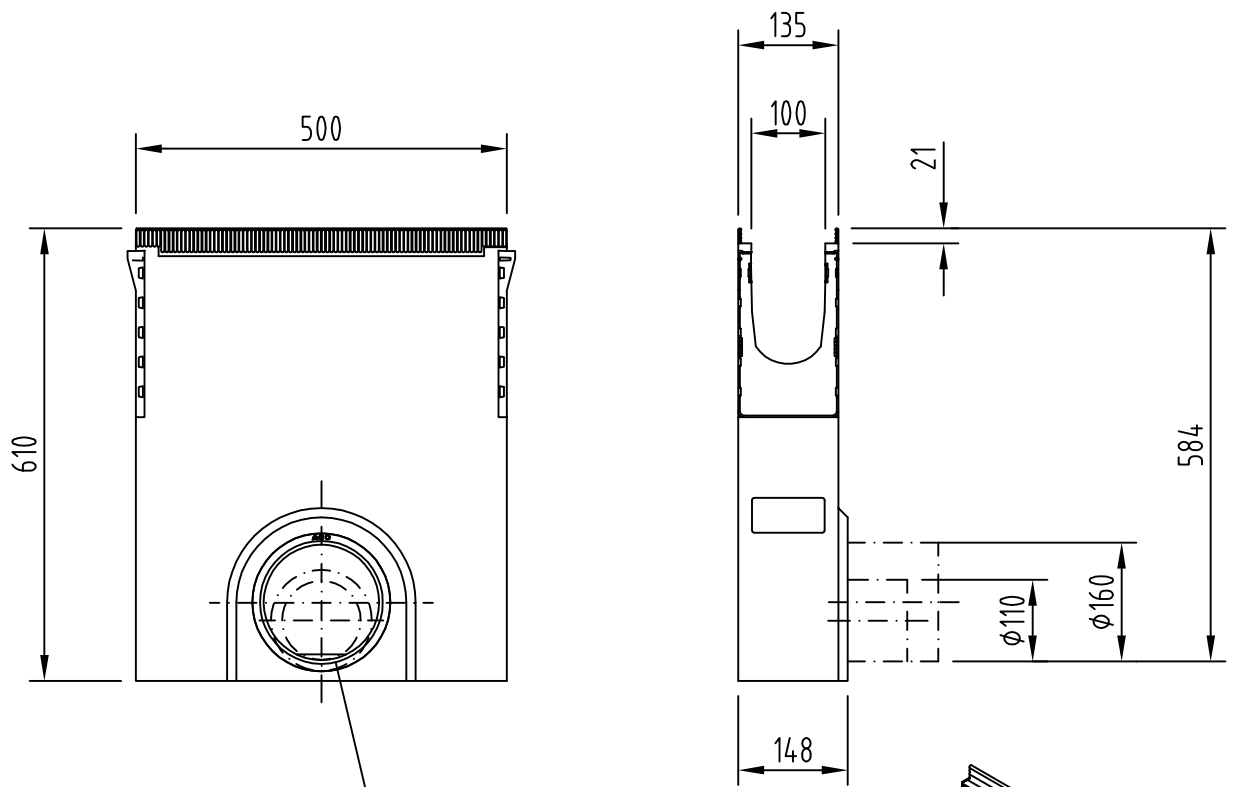
Zeichnung-Nr.  
G1-M01-1537-3

Index  
001

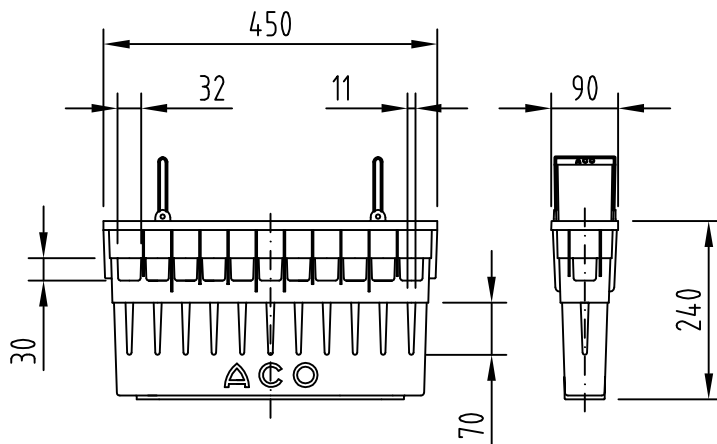
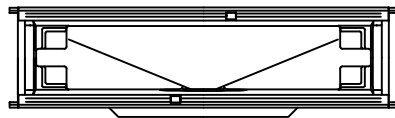
Technische Änderungen vorbehalten

Schutzvermerk gemäß DIN 34

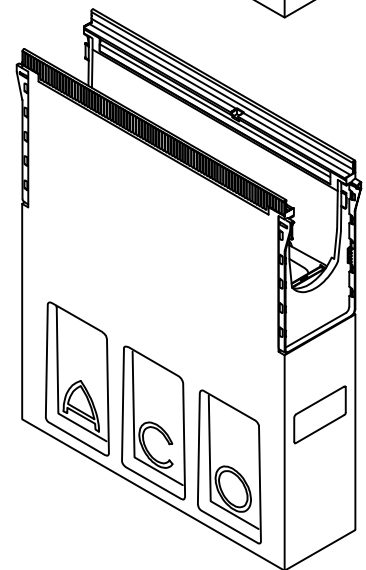
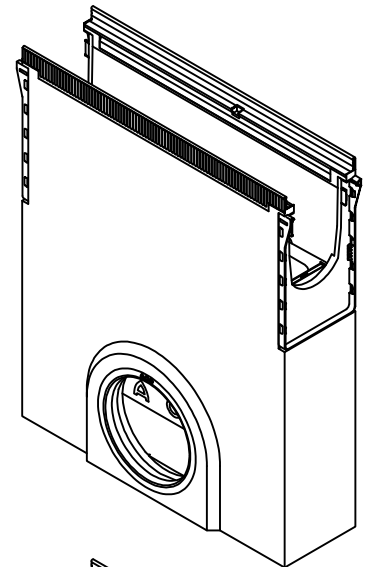
Ers. für:



Lippenlabyrinth-Dichtung  
DN/OD 110 oder DN/OD 160



Einlaufkasten mit Anschluss	Zarge Stahl verz. Art.-Nr.	Zarge Edelstahl V2A. Art.-Nr.
DN/OD 110	132392	132492
DN/OD 160	132399	132499



Benennung:  
ACO DRAIN Multiline V 100 Seal in, Einlaufkasten LF  
mit Eimer, Bauhöhe 61 cm, DN/OD 110 / DN/OD 160  
Art.-Nr. 132392, 132399, 132492, 132499

	Datum	Name
Gez.	09.05.2016	debeling
Upd.	19.01.2017	debeling
Norm		



**ACO Tiefbau**

ACO Tiefbau Vertrieb GmbH  
24755 Rendsburg, Postfach 320  
Tel. 04331 / 354-590  
FAX 04331 / 354-358  
www.aco-tiefbau.de

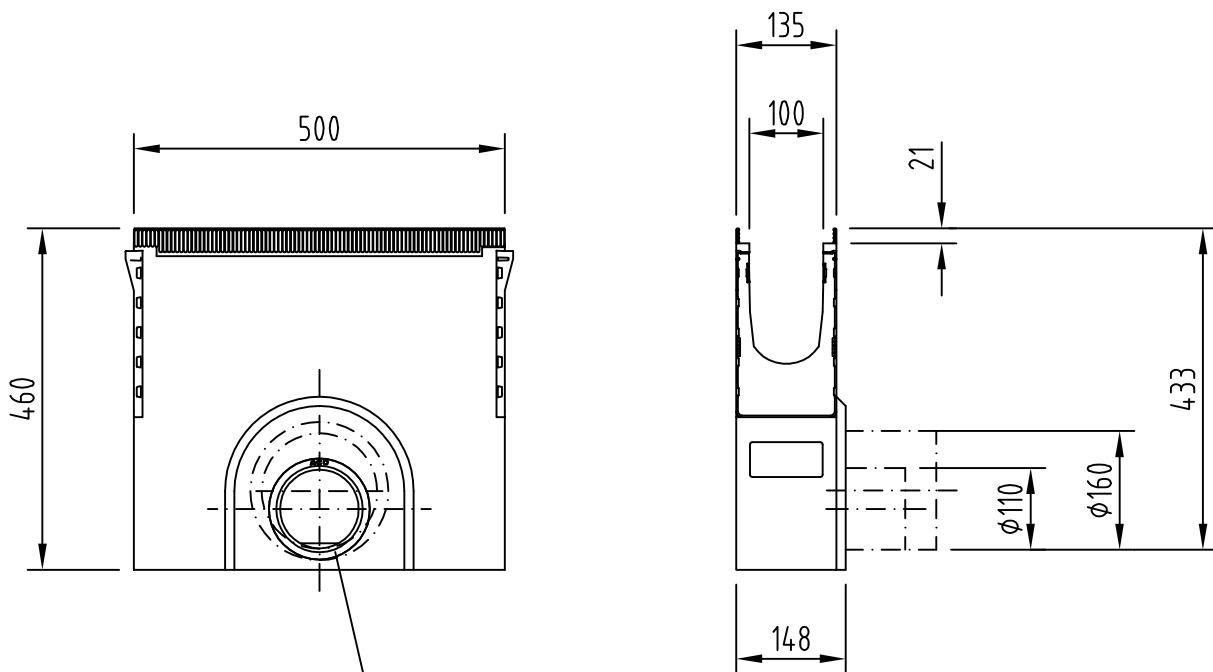
Zeichnung-Nr.  
G1-M01-1538-3

Index  
001

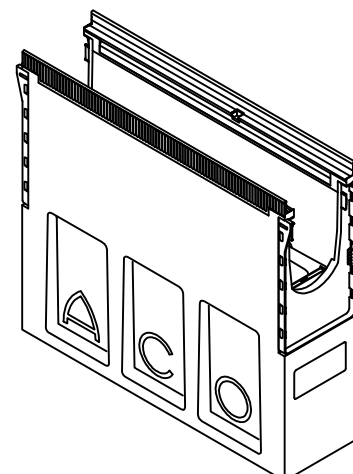
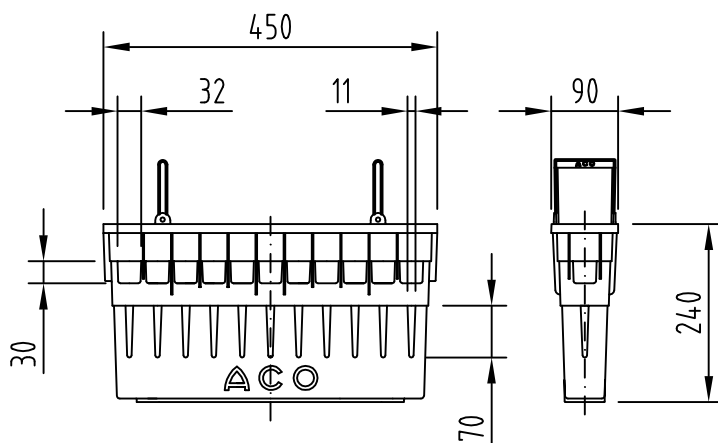
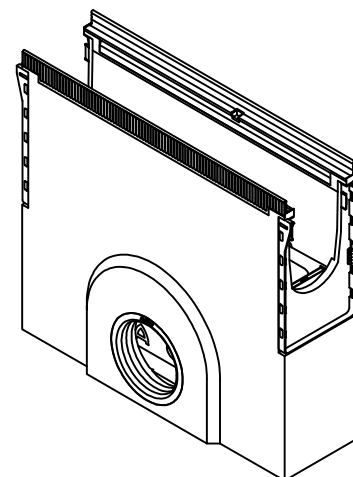
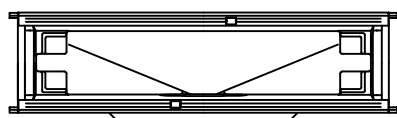
Technische Änderungen vorbehalten

Schutzvermerk gemäß DIN 34

Ers. für:



Lippenlabyrinth-Dichtung  
DN/OD 110 oder DN/OD 160



Einlaufkasten mit Anschluss	Zarge Stahl verz. Art.-Nr.	Zarge Edelstahl V2A. Art.-Nr.
DN/OD 110	132391	132491
DN/OD 160	132398	132498

Benennung:  
ACO DRAIN Multiline V 100 Seal in, Einlaufkasten KF  
mit Eimer, Bauhöhe 46 cm, DN/OD 110 / DN/OD 160  
Art.-Nr. 132391, 132398, 132491, 132498

	Datum	Name
Gez.	25.04.2016	debeling
Upd.	18.01.2017	debeling
Norm		



**ACO Tiefbau**

ACO Tiefbau Vertrieb GmbH  
24755 Rendsburg, Postfach 320  
Tel. 04331 / 354-590  
FAX 04331 / 354-350  
www.aco-tiefbau.de

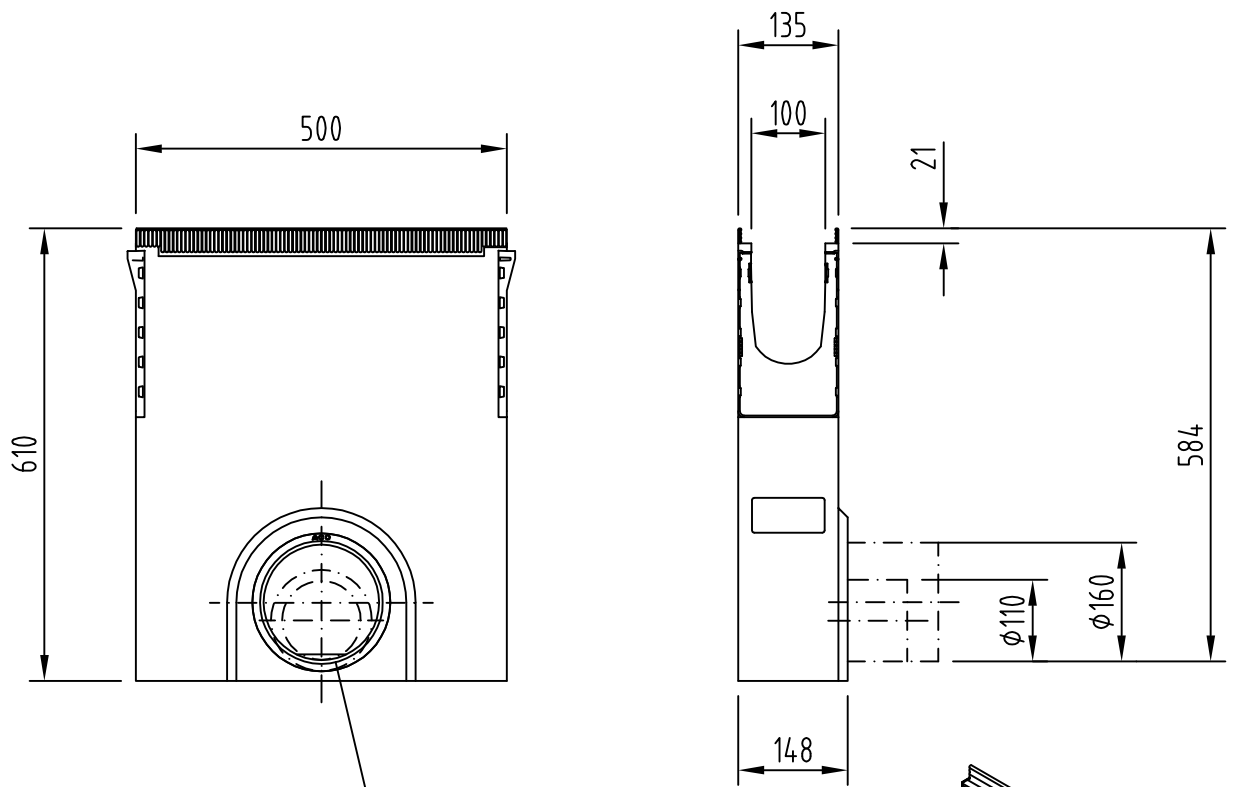
Zeichnung-Nr.  
G1-M01-1537-3

Index  
001

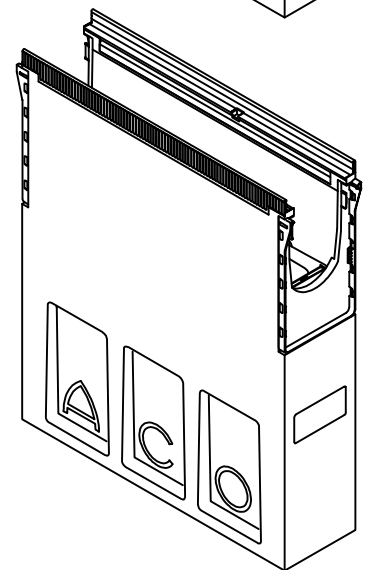
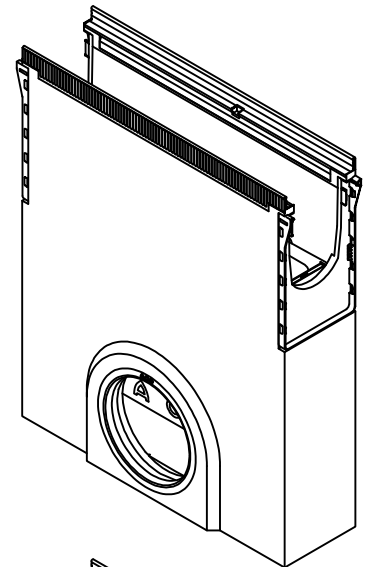
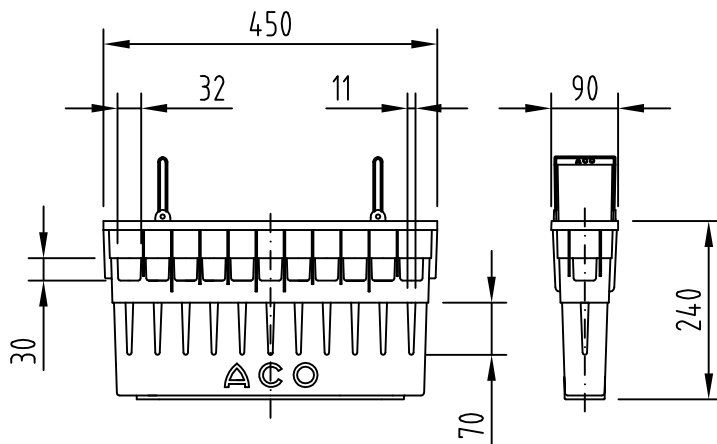
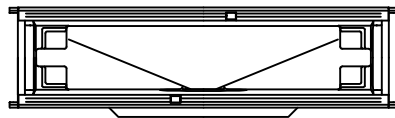
Technische Änderungen vorbehalten

Schutzvermerk gemäß DIN 34

Ers. für:



Lippenlabyrinth-Dichtung  
DN/OD 110 oder DN/OD 160



Einlaufkasten mit Anschluss	Zarge Stahl verz. Art.-Nr.	Zarge Edelstahl V2A. Art.-Nr.
DN/OD 110	132392	132492
DN/OD 160	132399	132499

Benennung:  
ACO DRAIN Multiline V 100 Seal in, Einlaufkasten LF  
mit Eimer, Bauhöhe 61 cm, DN/OD 110 / DN/OD 160  
Art.-Nr. 132392, 132399, 132492, 132499

	Datum	Name
Gez.	09.05.2016	debeling
Upd.	19.01.2017	debeling
Norm		



**ACO Tiefbau**

ACO Tiefbau Vertrieb GmbH  
24755 Rendsburg, Postfach 320  
Tel. 04331 / 354-590  
FAX 04331 / 354-358  
www.aco-tiefbau.de

Zeichnung-Nr.  
G1-M01-1538-3

Index  
001

Technische Änderungen vorbehalten

Schutzvermerk gemäß DIN 34

Ers. für: