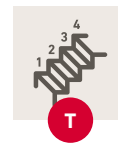
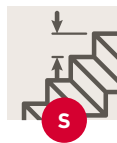
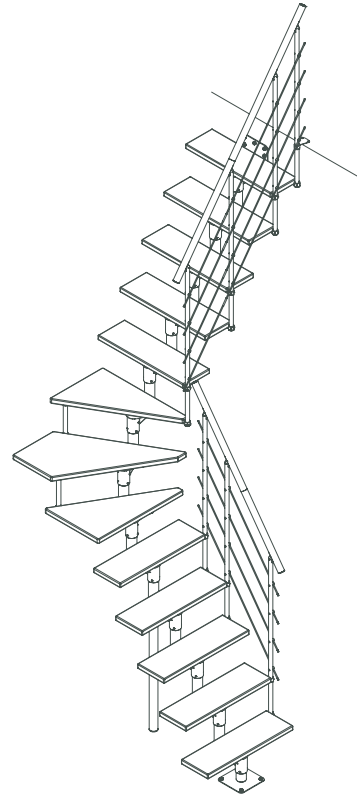
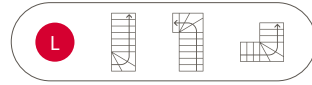
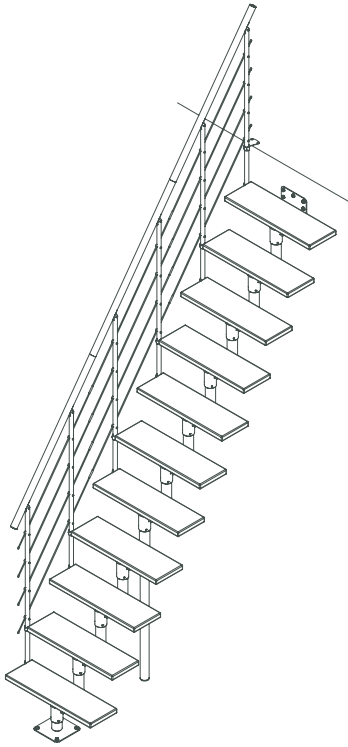
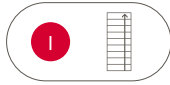


BOSTON

INSTRUCTION / MONTAGEANLEITUNG
INSTRUKTION / INSTRUCCIÒN / INSTRUKCJA

SOGEM[®]

PART OF DOLLE GROUP



	Height floor-to-floor	Rise height	Number of treads
	Geschosshöhe	Steigungshöhe	Anzahl Stufen
	Hauteur sol-sol	Hauteur de marche	Nombre de marches
	Altura de suelo/suelo	Altura de peldaños	Numero de peldaños
	Altura do chão / chão	Altura do degrau	Número de etapas (degraus)
	Hoogte vloer/vloer	Hoogte trede	Aantal treden
	Etagehøjde	Stigningshøjde	Antal trin
	Golv till golv höjd	Stigningshöjd	Antal steg
	Wysokość kondygnacji od podłogi do podłogi	Wysokość stopnia	Ilość stopni
	Înălțime sol-sol	Înălțime treaptă	Număr trepte
	Výška patra podlaha-podlaha	Výška schodu	Počet nášlapů
	Высота от пола до пола	Шаг ступени	Кол-во ступеней
	Aukšto aukštis	Pakopus aukštis	Pakopus kiekis
	Stāva augstums	Pakāpiena augstums	Pakāpienu skaits
	Korruse kõrgus	Astme kõrgus	Astmete arv
	Višina nadstropja	Višina stepnice	Število stepnic
	Visina kata	Visina stepenice	Broj stepenica
	Výška podlažia	Výška stupňa	Počet stupňov

1

x 1
K2-1077100
RAL 7016
K2-1077103
RAL 9016

2

	11
x	9

K2-1077105
RAL 7016
K2-1077108
RAL 9016

3

x 1
K2-1077115
RAL 7016
K2-1077118
RAL 9016

4

x 1
K2-1077010 RAL 7016
K2-1077013 RAL 9016

5

x 1
K1-1077145 RAL 7016
K1-1077148 RAL 9016

6

	11
I	11
L	11

K2-1077025 RAL 7016
K2-1077028 RAL 9016

7

x 1
K1-1077140 RAL 7016
K1-1077143 RAL 9016

8

x 1
K2-1077030 RAL 7016
K2-1077033 RAL 9016

9

	11
I	6
L	6

K1-1077130
RAL 7016
K1-1077133
RAL 9016

21

I	0
L	1

M2-1078007
Beech / Buche / Hêtre / Bøg
M2-1078017
Oak / Eiche / Chêne / Eg

20

	11
I	11
L	8

M2-1078001 Beech / Buche / Hêtre / Bøg
M2-1078011 Oak / Eiche / Chêne / Eg

22

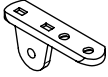

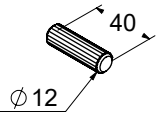




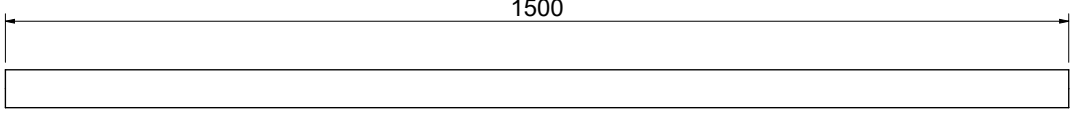

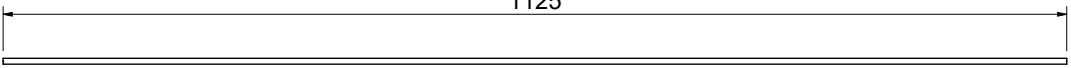
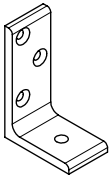
I	0
L	1





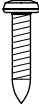




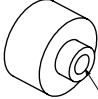




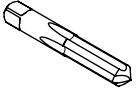



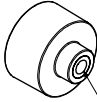
M2-1078008
Beech / Buche / Hêtre / Bøg
M2-1078018
Oak / Eiche / Chêne / Eg

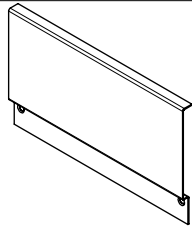
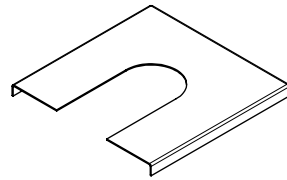



23

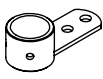
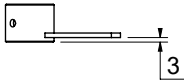

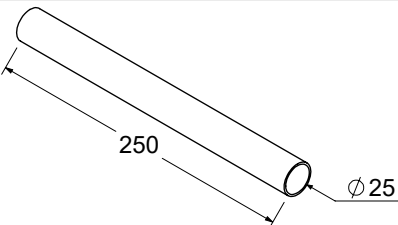
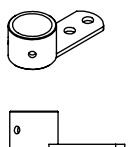

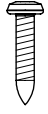

I	0
L	1

M2-1078009
Beech / Buche / Hêtre / Bøg
M2-1078019
Oak / Eiche / Chêne / Eg

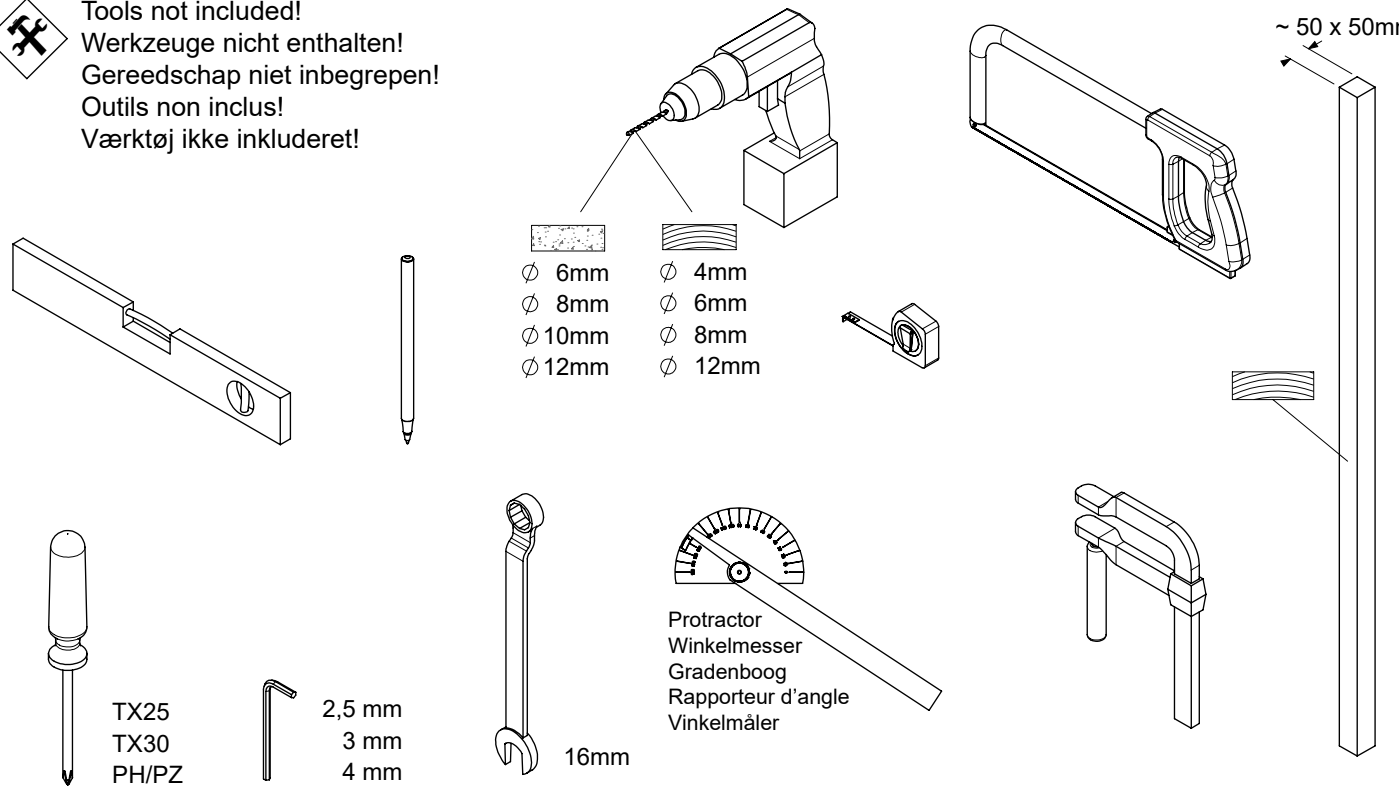
<p>26</p> <table border="1"> <tr><td></td><td>11</td></tr> <tr><td>I</td><td>6</td></tr> <tr><td>L</td><td>6</td></tr> </table>  <p>K2-1077125 RAL 7016 K2-1077128 RAL 9016</p>		11	I	6	L	6	<p>27</p>  <p>x 4 K1-1077150 RAL 7016 K1-1077153 RAL 9016</p>	<p>28</p>  <p>x 2 K3-08041</p>						
	11													
I	6													
L	6													
<p>29</p> <table border="1"> <tr><td></td><td>11</td></tr> <tr><td>I</td><td>24</td></tr> <tr><td>L</td><td>24</td></tr> </table>  <p>K1-04041</p>		11	I	24	L	24	<p>30</p>  <p>x 16 K1-40296 <i>Black / Schwarz / Noir / Sort</i></p>	<p>31</p> <table border="1"> <tr><td></td><td>11</td></tr> <tr><td>I</td><td>10</td></tr> <tr><td>L</td><td>10</td></tr> </table>  <p>K1-14939</p>		11	I	10	L	10
	11													
I	24													
L	24													
	11													
I	10													
L	10													
<p>32</p>  <p>Ø 40</p>  <p>1500</p> <table border="1"> <tr><td></td><td>11</td></tr> <tr><td>I</td><td>3</td></tr> <tr><td>L</td><td>2</td></tr> </table> <p>1078905 <i>Beech / Buche / Hêtre / Bøg</i> 1078915 <i>Oak / Eiche / Chêne / Eg</i></p>				11	I	3	L	2						
	11													
I	3													
L	2													
<p>33</p>  <p>Ø 6</p>  <p>1125</p> <table border="1"> <tr><td></td><td>11</td></tr> <tr><td>I</td><td>12</td></tr> <tr><td>L</td><td>12</td></tr> </table> <p>K1-14076</p>				11	I	12	L	12						
	11													
I	12													
L	12													
<p>37</p> <p>x 2 K1-1077195 RAL 7016 K1-1077198 RAL 9016</p> 														

<p>40</p>  <p>x 10 K3-08001 Ø12 x 60</p>	<p>41</p>  <p>x 10 K3-04001 Ø10</p>	<p>42</p>  <p>x 10 K3-06003 Ø10 x 60</p>	<p>43</p>  <table border="1" data-bbox="1161 165 1342 248"> <tr><td>11</td><td></td><td></td></tr> <tr><td>I 58</td><td></td><td></td></tr> <tr><td>L 58</td><td></td><td></td></tr> </table> <p>K3-05003 M8 x 6</p>	11			I 58			L 58					
11															
I 58															
L 58															
<p>44</p>  <table border="1" data-bbox="76 394 165 477"> <tr><td>11</td><td></td></tr> <tr><td>I 90</td><td></td></tr> <tr><td>L 90</td><td></td></tr> </table> <p>K3-06130 Ø6 x 30 TX30</p>	11		I 90		L 90		<p>45</p>  <table border="1" data-bbox="437 394 526 477"> <tr><td>11</td><td></td></tr> <tr><td>I 24</td><td></td></tr> <tr><td>L 24</td><td></td></tr> </table> <p>K3-05056 M6 x 5</p>	11		I 24		L 24			<p>47</p>  <p>x 2 K3-08002 Ø8 x 40</p>
11															
I 90															
L 90															
11															
I 24															
L 24															
<p>48</p>  <p>x 2 K3-06027 Ø5 x 50 TX25</p>	<p>49</p>  <p>Strong glue Superkleber Seconde lijm Colle forte Superlim</p> <p>x 1 K3-90001 3 g</p>	<p>50</p>  <p>Ø 11,2mm</p> <p>x 1 K1-23345</p>	<p>51</p>  <table border="1" data-bbox="1214 539 1294 622"> <tr><td>11</td><td></td></tr> <tr><td>I 20</td><td></td></tr> <tr><td>L 18</td><td></td></tr> </table> <p>K3-06022 FZB/BZP K3-10226 RAL 9016 Ø5 x 35 TX25</p>	11		I 20		L 18							
11															
I 20															
L 18															
<p>52</p>  <table border="1" data-bbox="76 853 165 936"> <tr><td>11</td><td></td></tr> <tr><td>I 6</td><td></td></tr> <tr><td>L 6</td><td></td></tr> </table> <p>K3-02101 M5 x 25</p>	11		I 6		L 6		<p>53</p>  <table border="1" data-bbox="437 853 526 936"> <tr><td>11</td><td></td></tr> <tr><td>I 24</td><td></td></tr> <tr><td>L 24</td><td></td></tr> </table> <p>K1-04040 M6 x 16</p>	11		I 24		L 24		<p>54</p>  <p>x 2 K3-08004 Ø10 x 60</p>	<p>55</p>  <p>x 1 K3-10010 M8</p>
11															
I 6															
L 6															
11															
I 24															
L 24															
<p>59</p>  <p>x 2 K3-04028 Ø8</p>	<p>60</p>  <p>x 2 K3-06015 Ø8 x 70</p>	<p>61</p>  <p>Wood glue Holzkleber Colle à bois Trælim Houtlijm</p> <p>x 1 K3-90005 40 ml</p>	<p>62</p>  <p>Ø 8mm</p> <p>x 1 K1-01810</p>												

OPTION MÖGLICHKEIT OPTIE	OPTION MULIGHED	Cover kit Abdeckkappen Afdekkitt	Kit de couverture Afdækningskit
<p>10</p> <p>x 1 K1-1077070 RAL 7016 K1-1077071 RAL 9005</p> 			<p>11</p> <p>x 1 K1-1077075 RAL 7016</p> 
<p>51</p> <p>x 2 K3-06022 Ø5 x 35</p> 	<p>56</p> <p>x 2 K3-08006 Ø6 x 40</p> 	<p>58</p> <p>x 8 R3-20590</p> 	

OPTION MÖGLICHKEIT OPTIE OPTION MULIGHED	Connection kit for 1/4 turn Verbindungssatz für 1/4-gewendelt Aansluitkit voor 1/4 slag Kit de connexion pour 1/4 tournant Forbindersæt til 1/4-sving		
<p>6</p> <p>x 2 K2-1077025 RAL 7016 K2-1077028 RAL 9016</p> 		<p>34</p> <p>x 2 K1-1077690 RAL 7016 K1-1077693 RAL 9016</p> 	<p>3</p>  <p>250</p> <p>Ø25</p> 
<p>35</p> <p>x 2 K2-1077695 RAL 7016 K2-1077698 RAL 9016</p> 	<p>36</p> <p>x 2 K1-1077045 RAL 7016 K1-1077048 RAL 9016</p> 	<p>44</p> <p>x 8 K3-06130 Ø6 x 30 TX30</p> 	<p>45</p> <p>x 8 K3-05056 M6 x 5</p> 

Tools not included!
Werkzeuge nicht enthalten!
Gereedschap niet inbegrepen!
Outils non inclus!
Værktøj ikke inkluderet!



Ø 6mm Ø 4mm
 Ø 8mm Ø 6mm
 Ø 10mm Ø 8mm
 Ø 12mm Ø 12mm

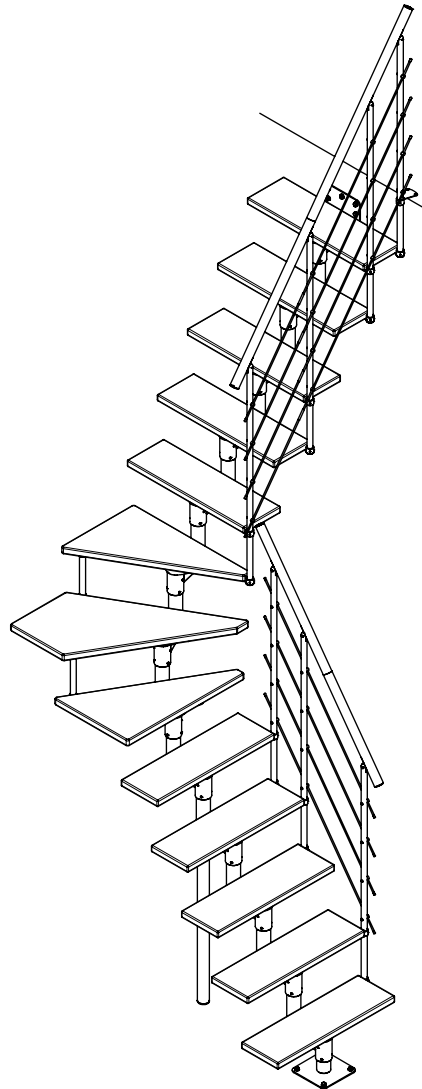
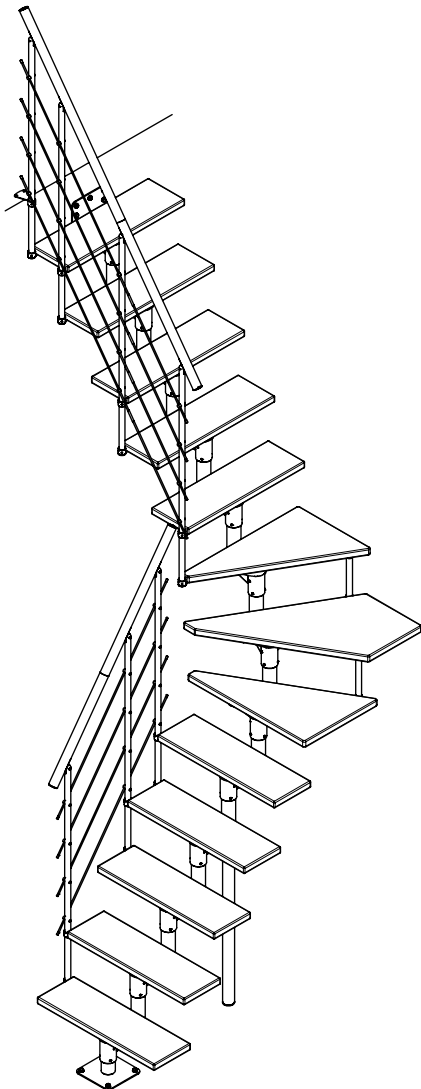
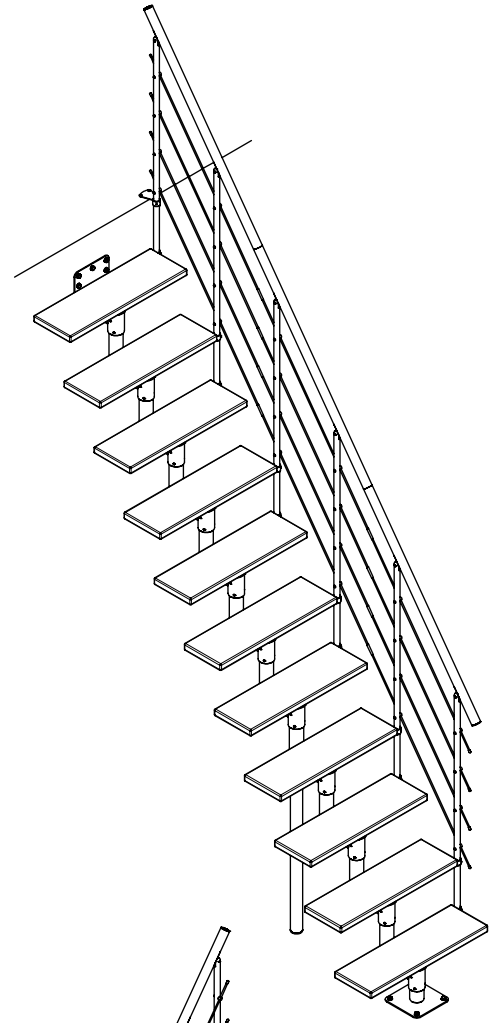
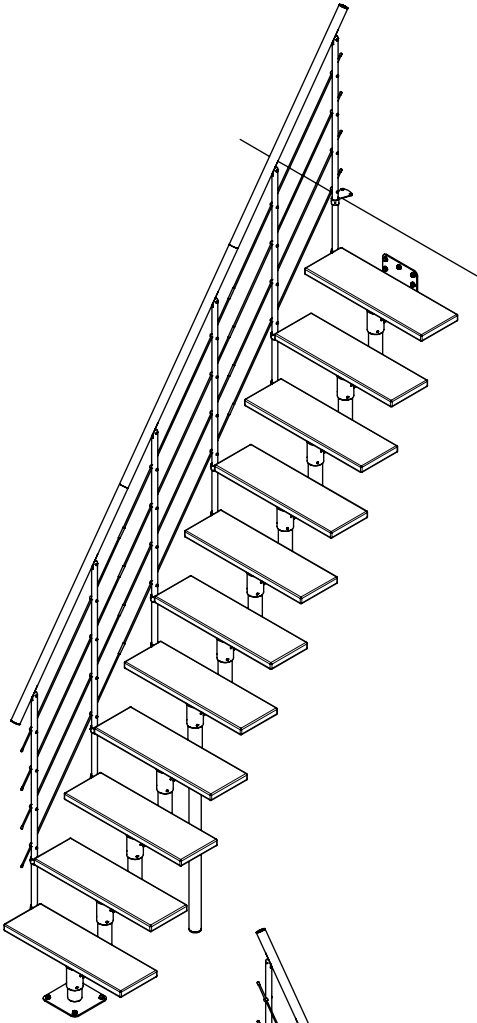
TX25
 TX30
 PH/PZ

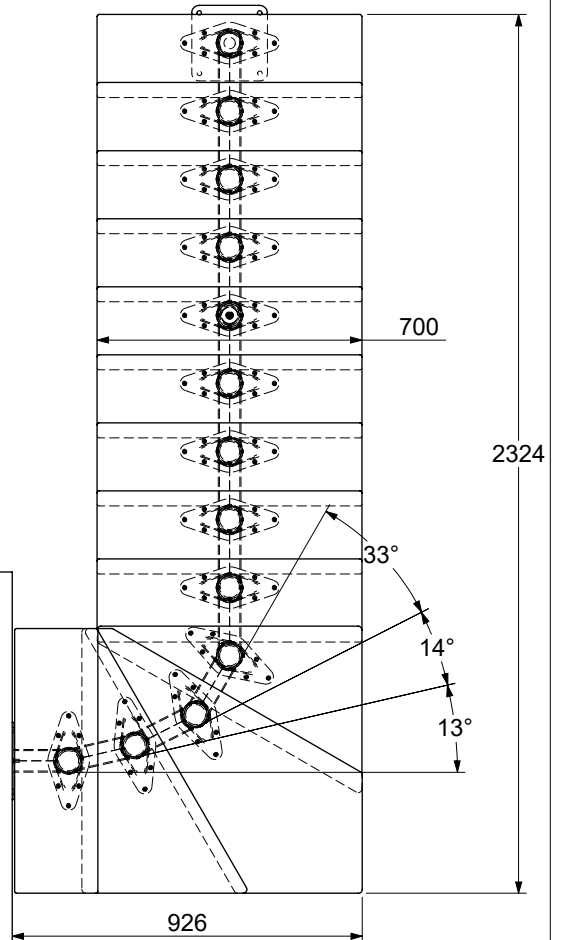
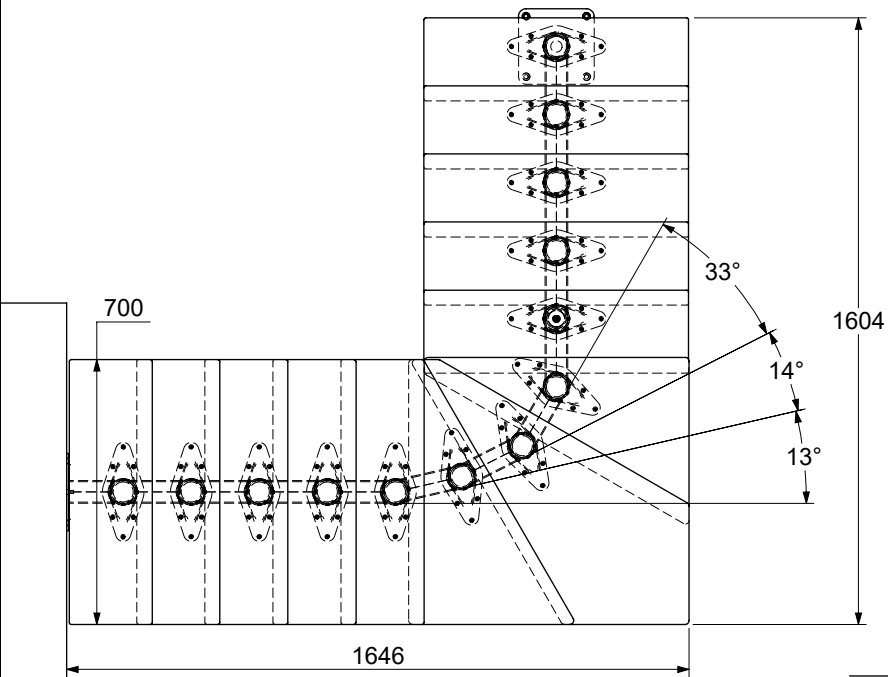
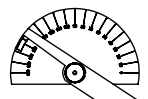
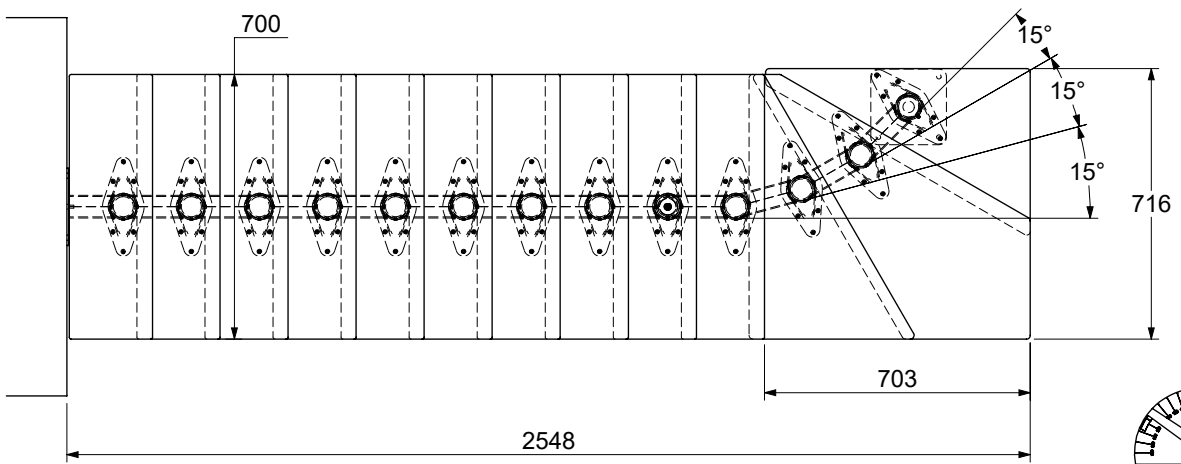
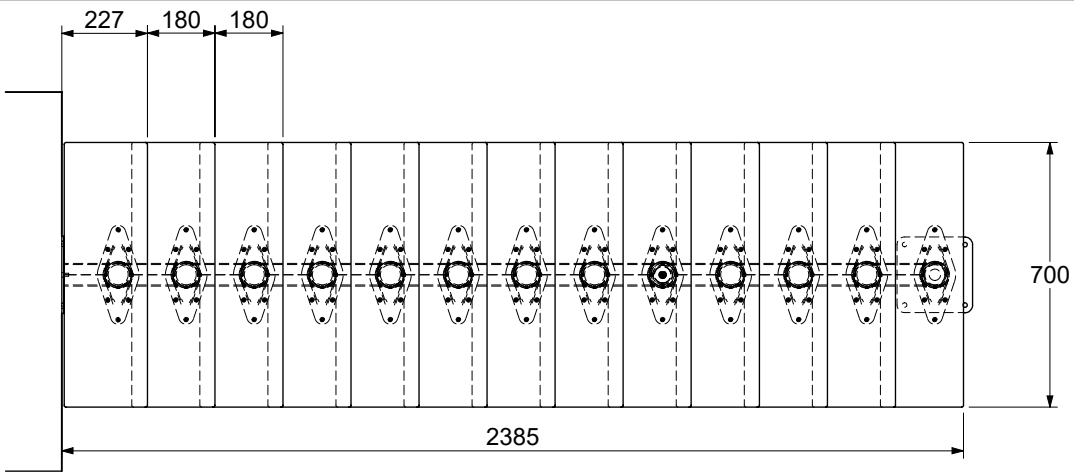
2,5 mm
 3 mm
 4 mm

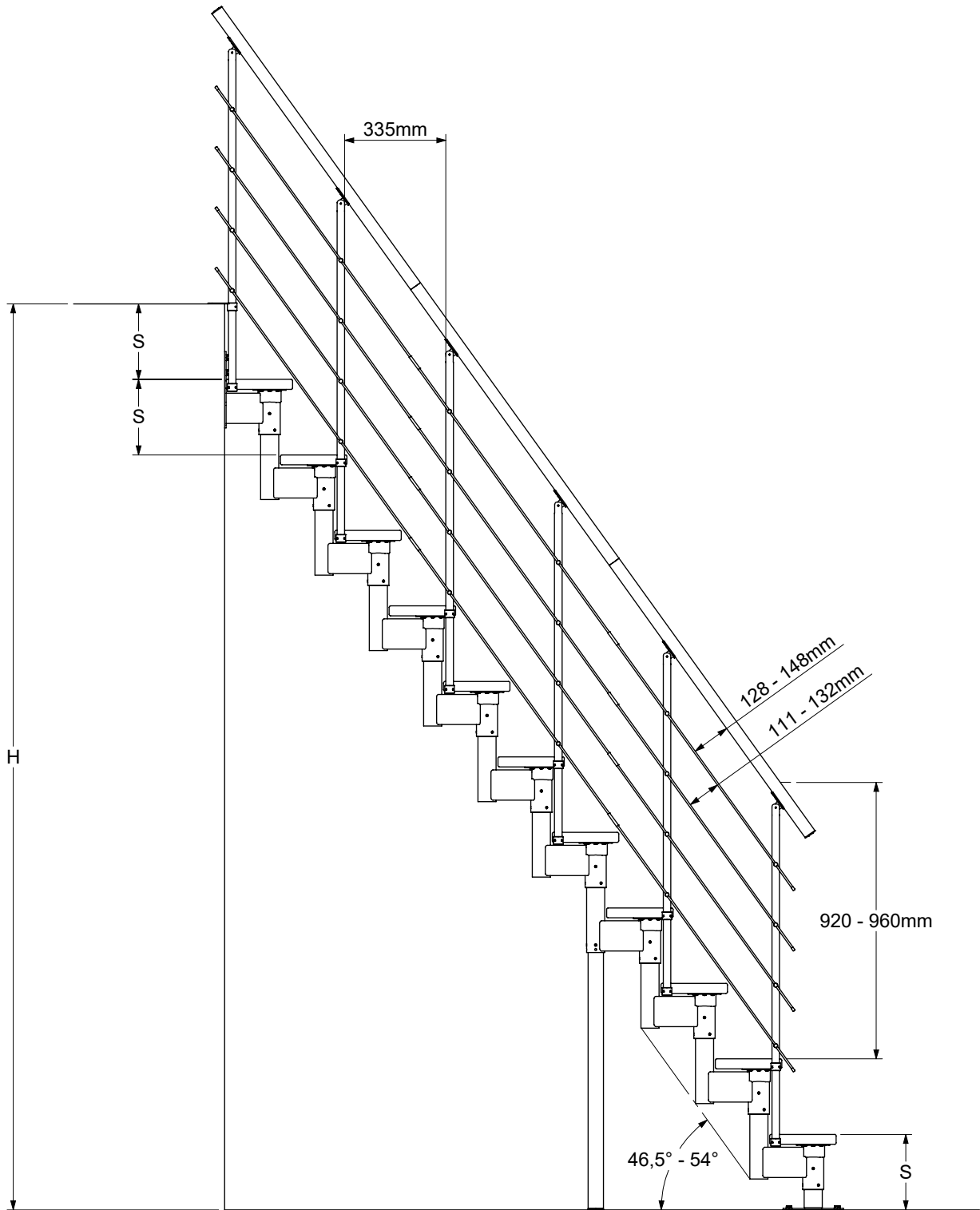
16mm

Protractor
 Winkelmesser
 Gradenboog
 Rapporteur d'angle
 Vinkelmåler

~ 50 x 50mm







$$S = \frac{H}{T + 1}$$

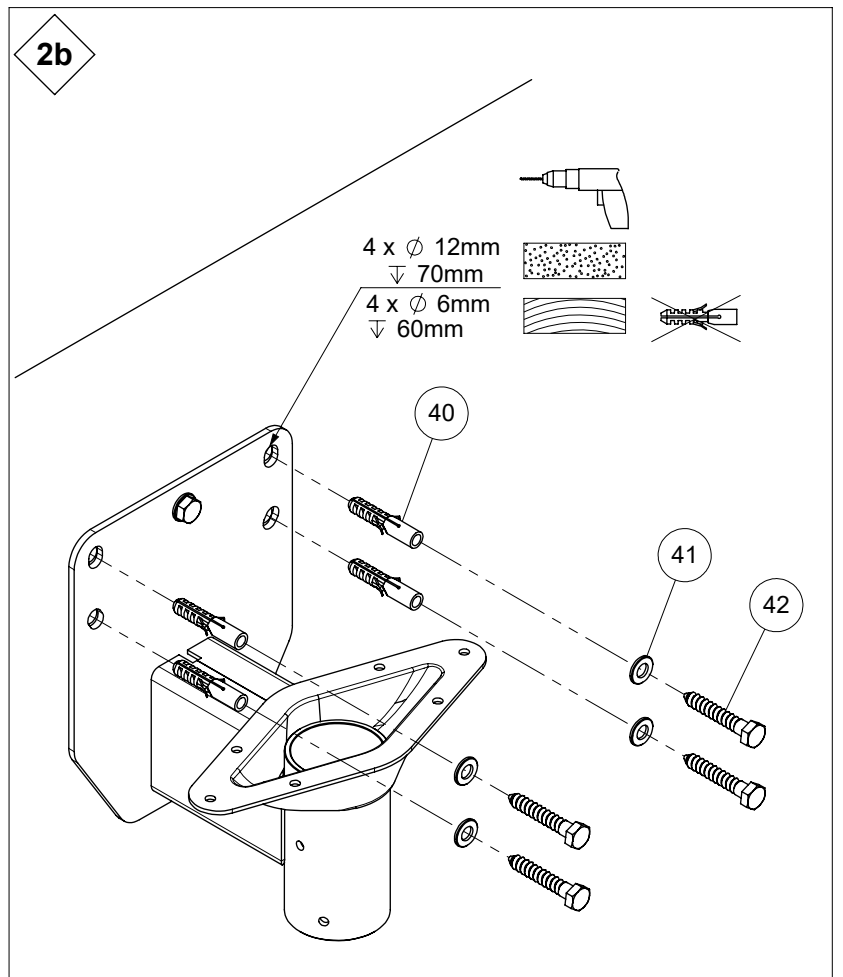
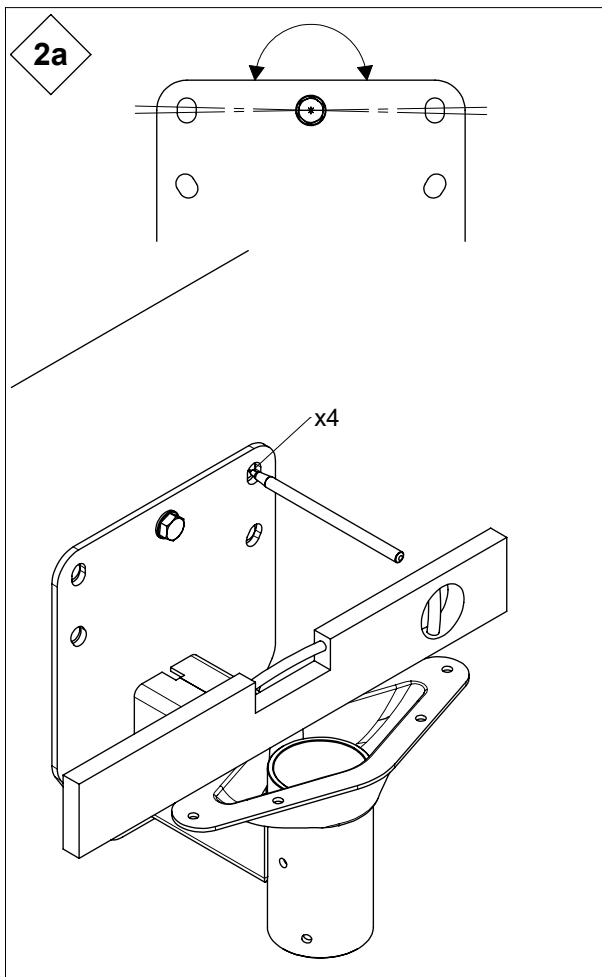
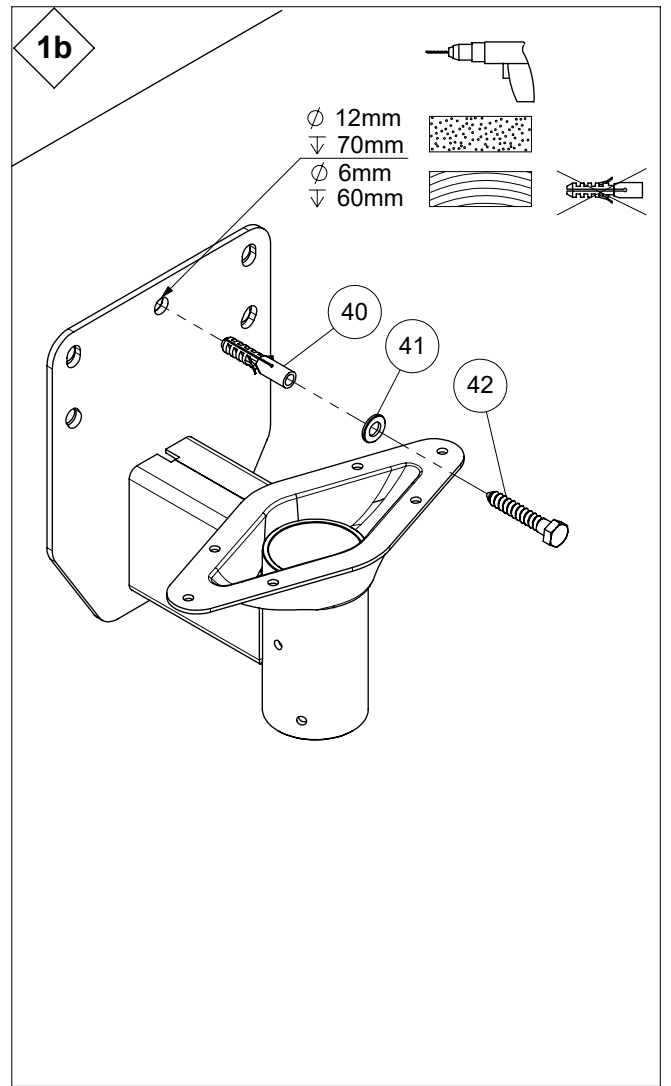
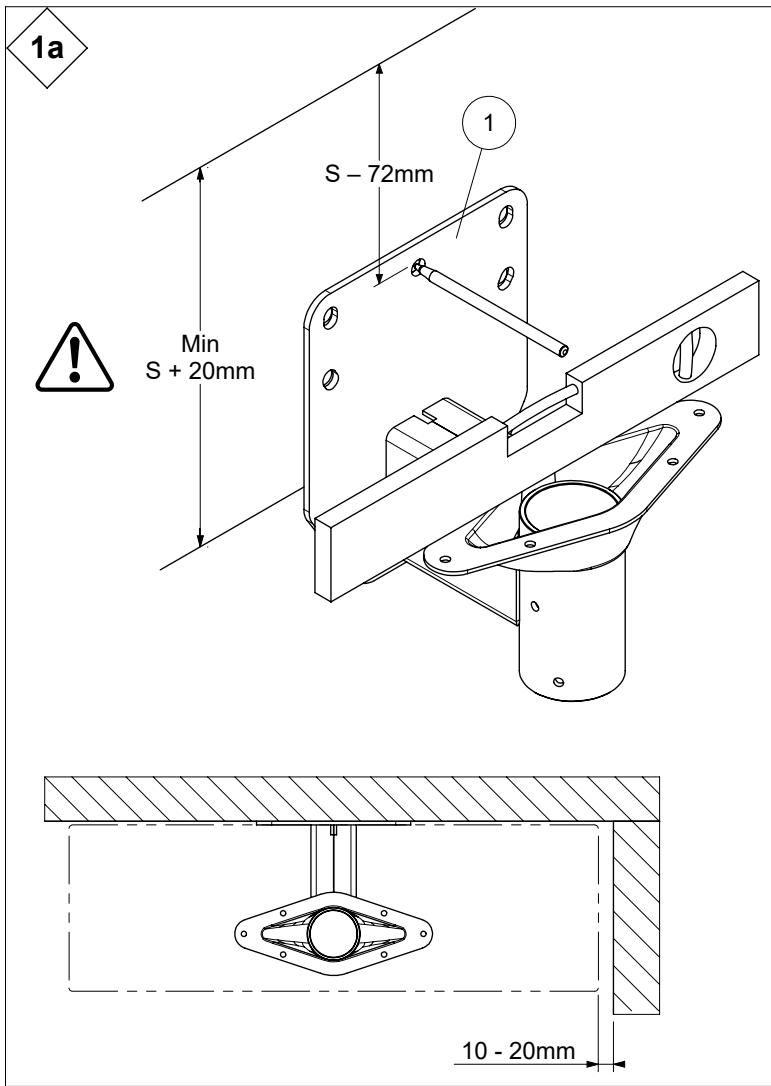
	min S	max S
	190 mm	250 mm

T	min H	max H
9	1900 mm	2500 mm
10	2090 mm	2750 mm
11	2280 mm	3000 mm

Example / Beispiel / Voorbeeld /
 Example / Eksempel:
 H: 2400 mm, T: 11 st(pcs)

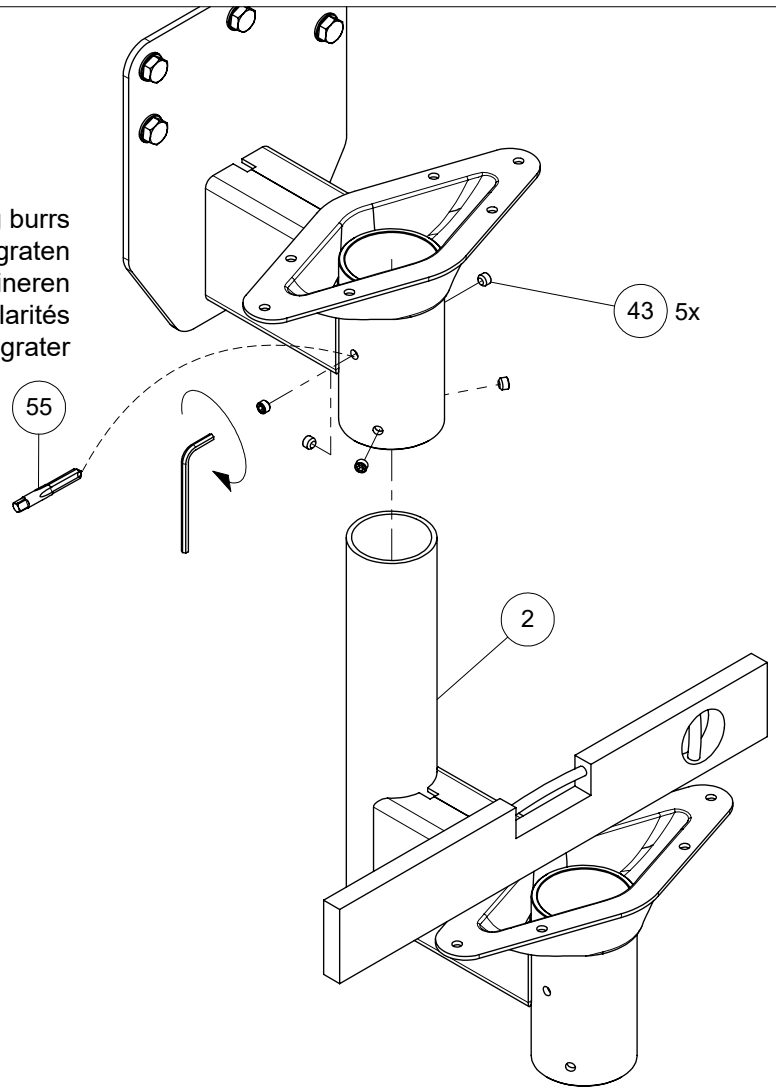
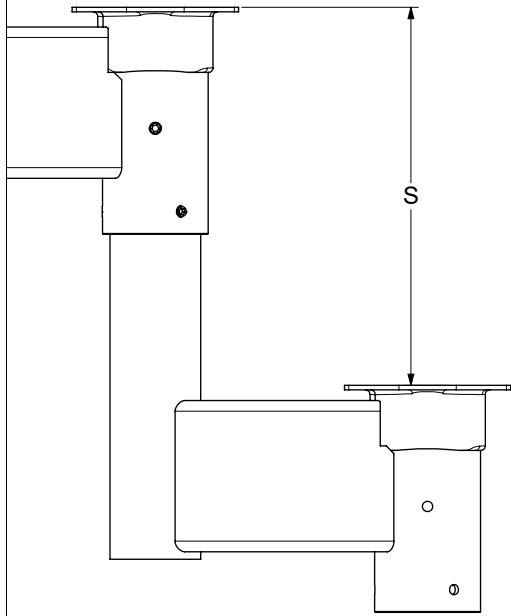
$$S = \frac{2400 \text{ mm}}{11 + 1} = 200 \text{ mm}$$



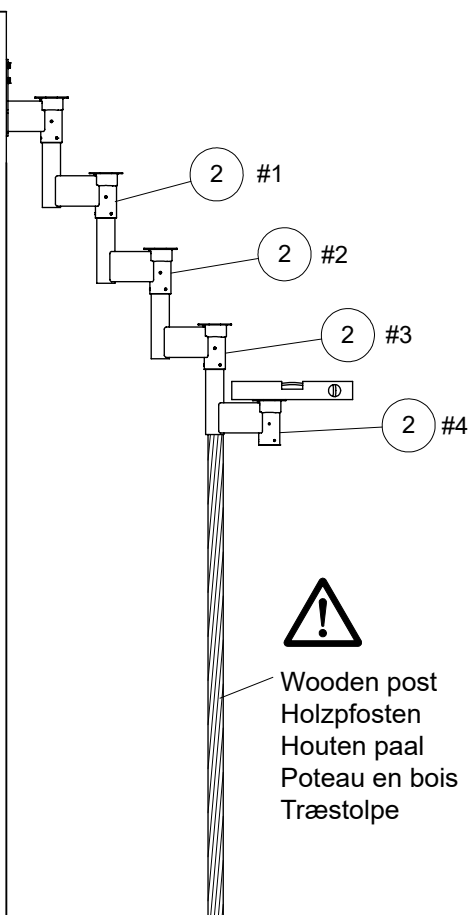


3

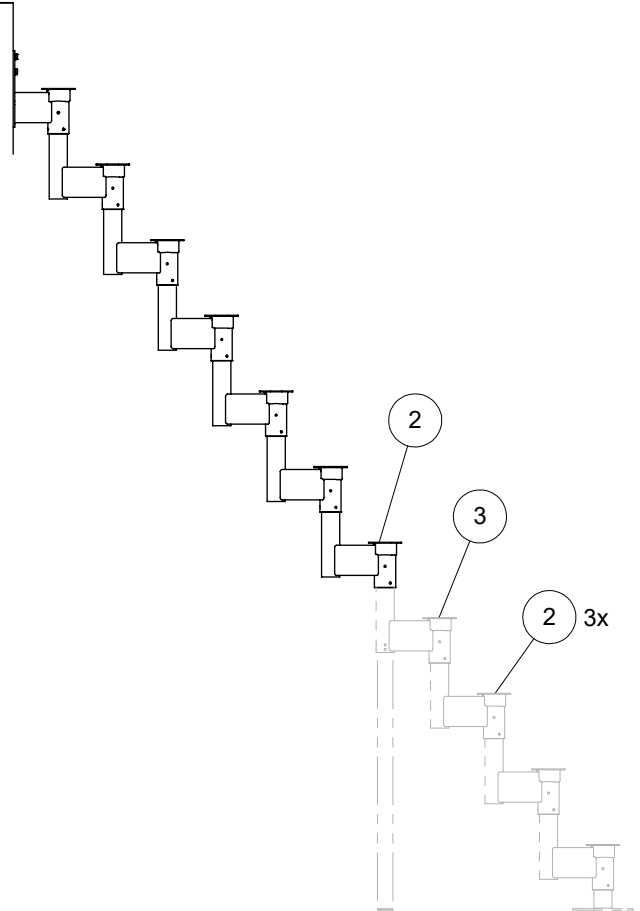
For removing burrs
Zum Entgraten
Om onregelmigheden te elimineren
Pour éliminer les irrégularités
Til fjernelse af grater

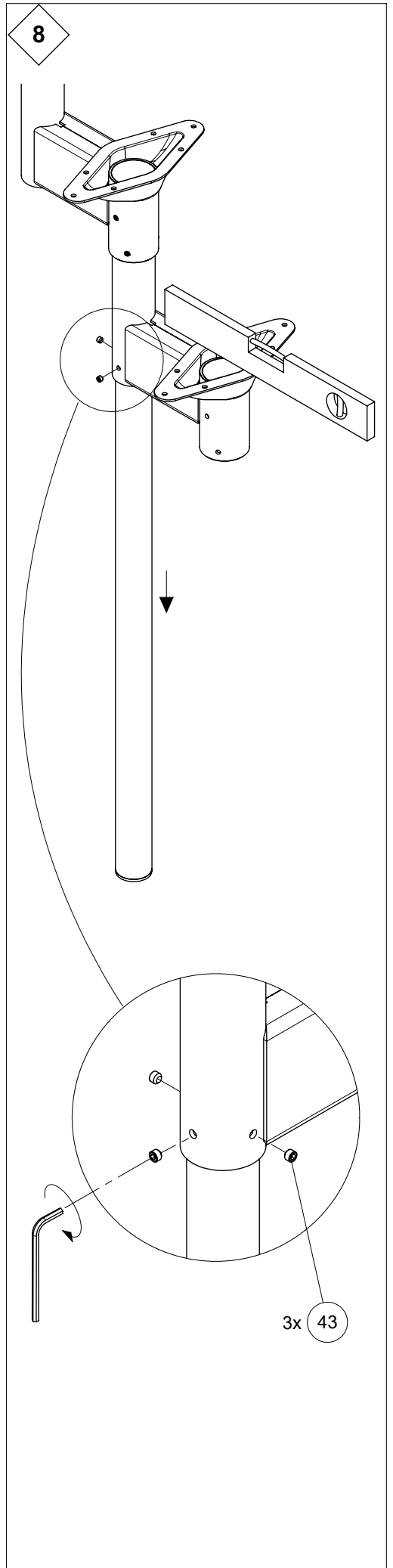
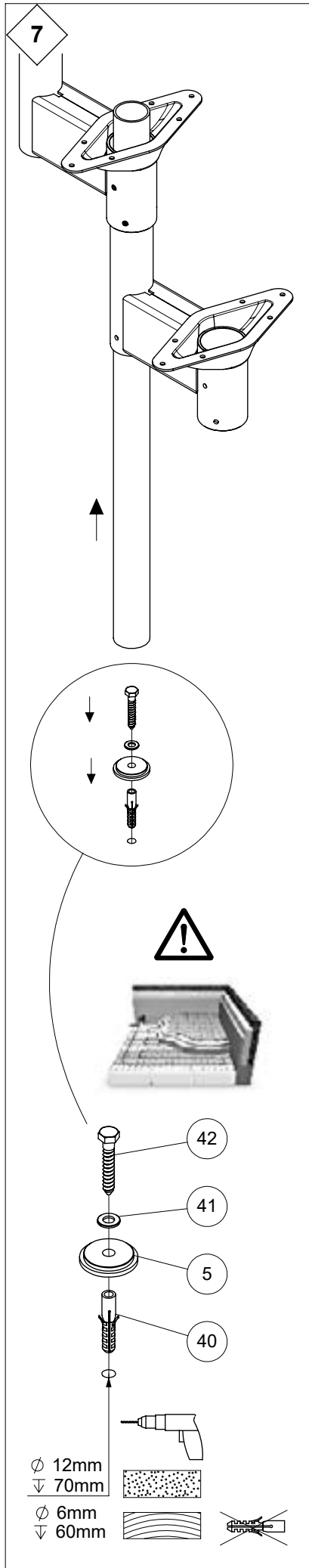
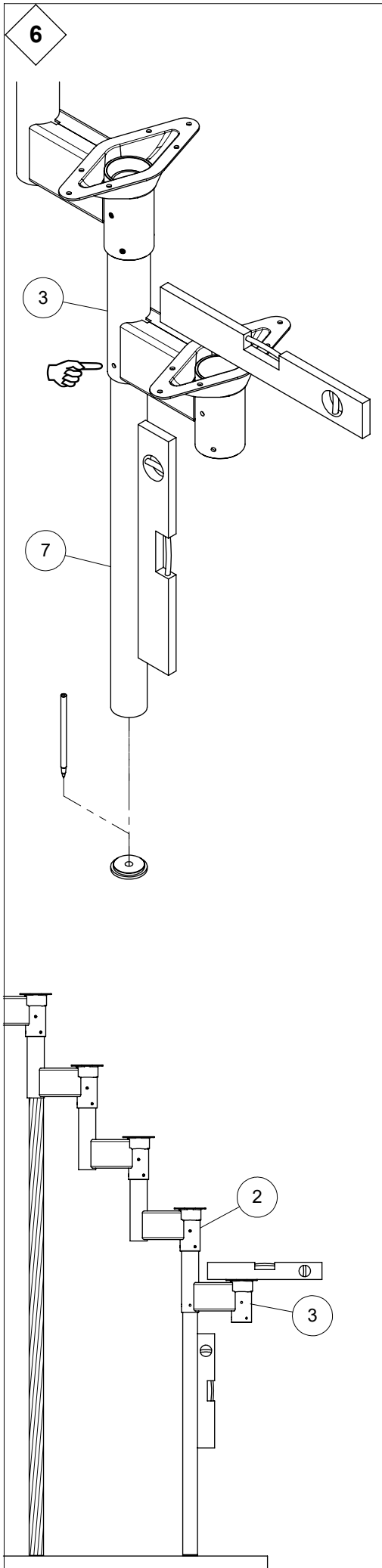


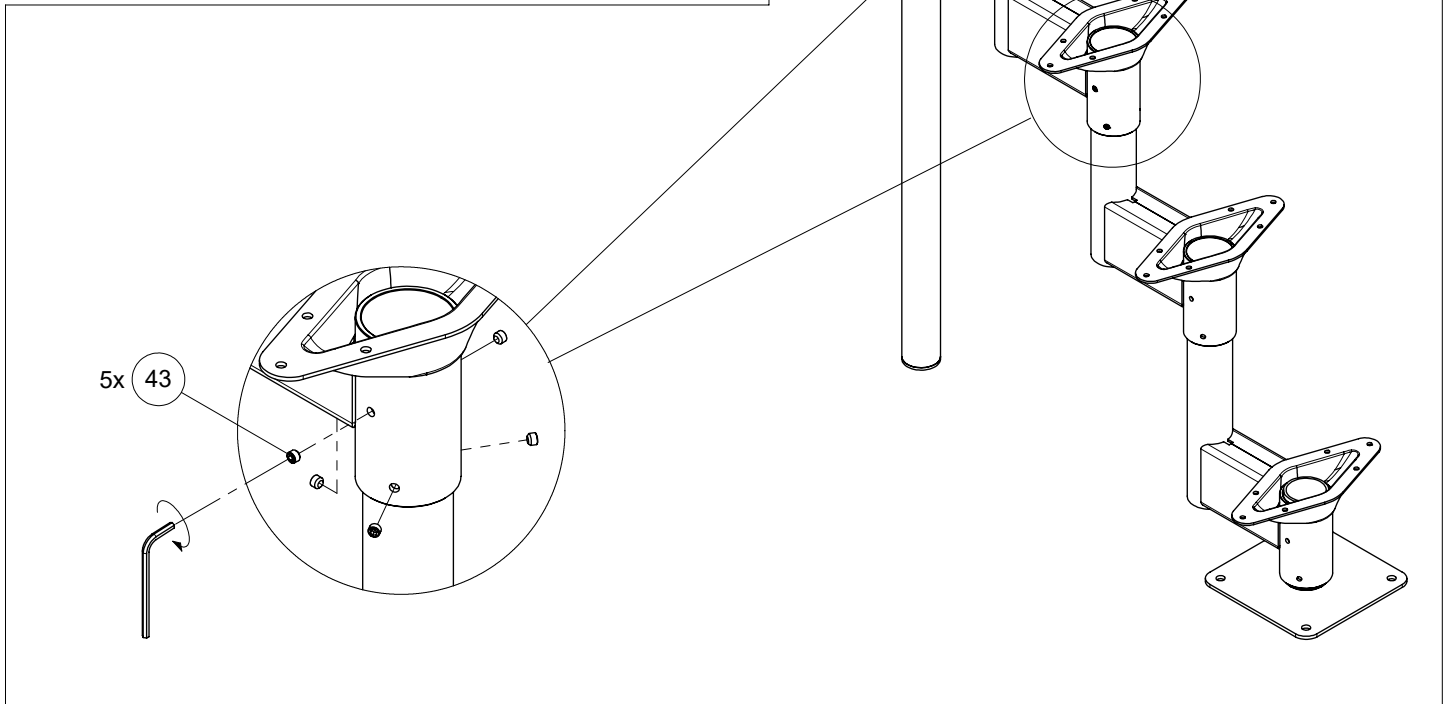
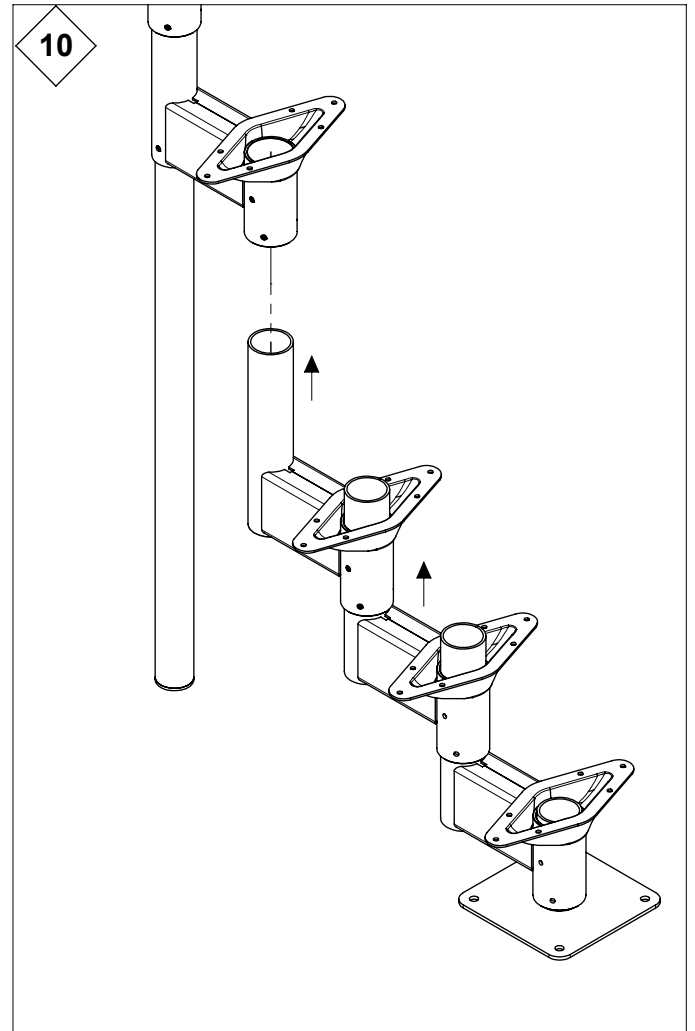
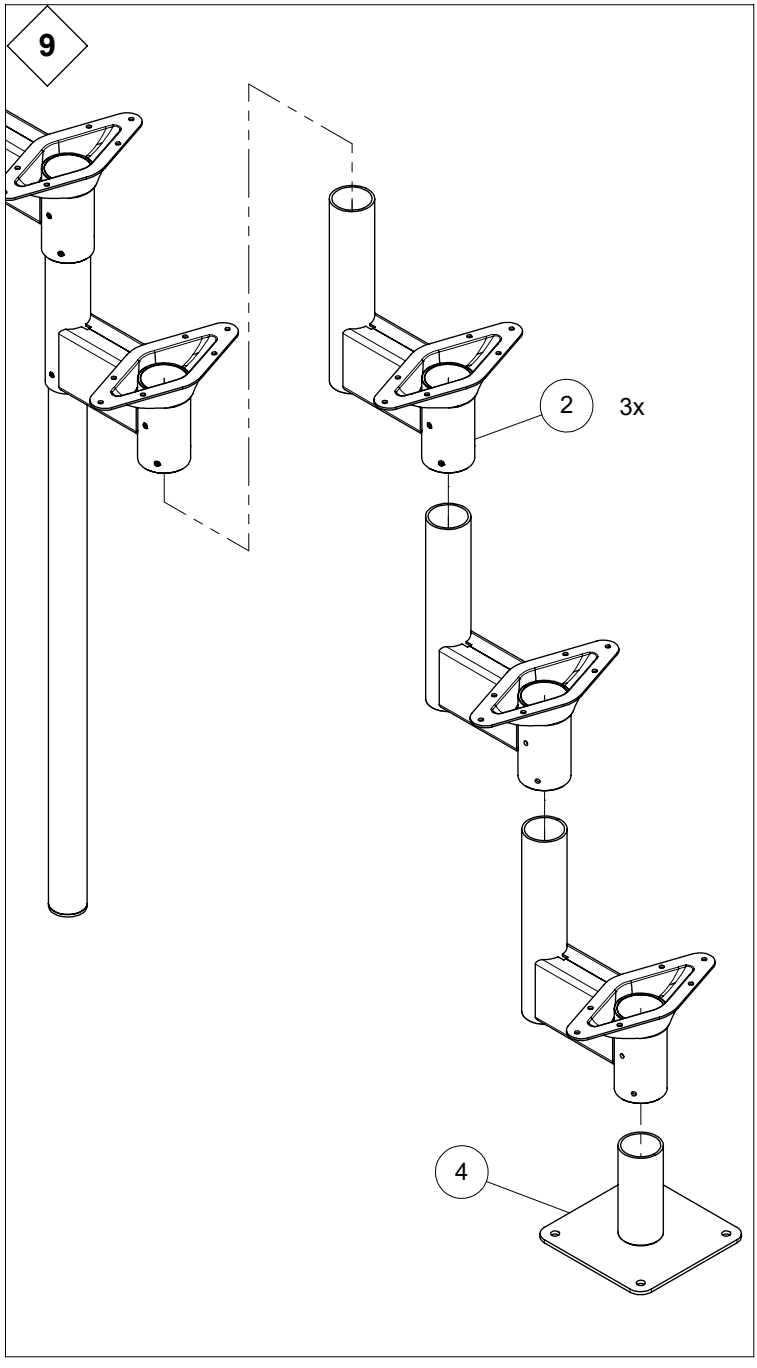
4

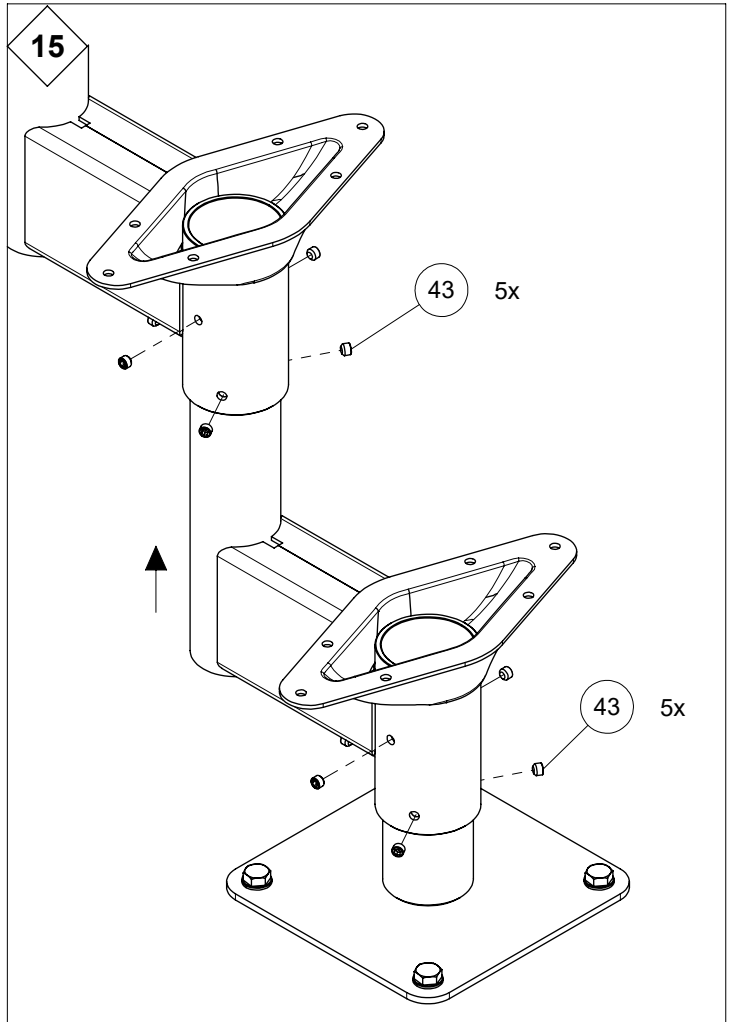
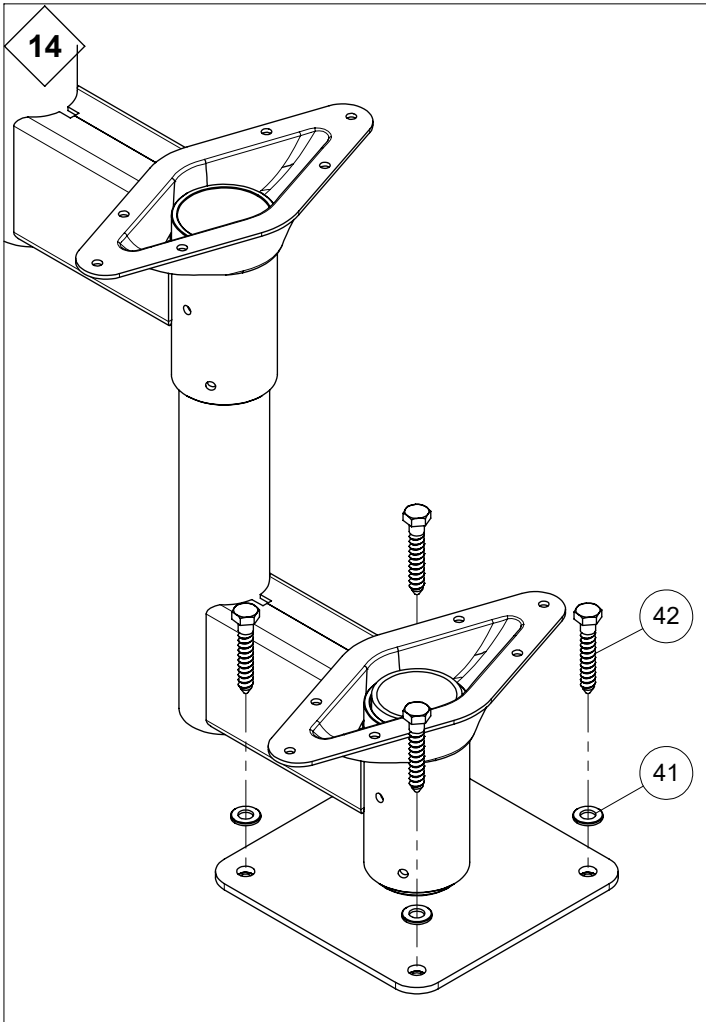
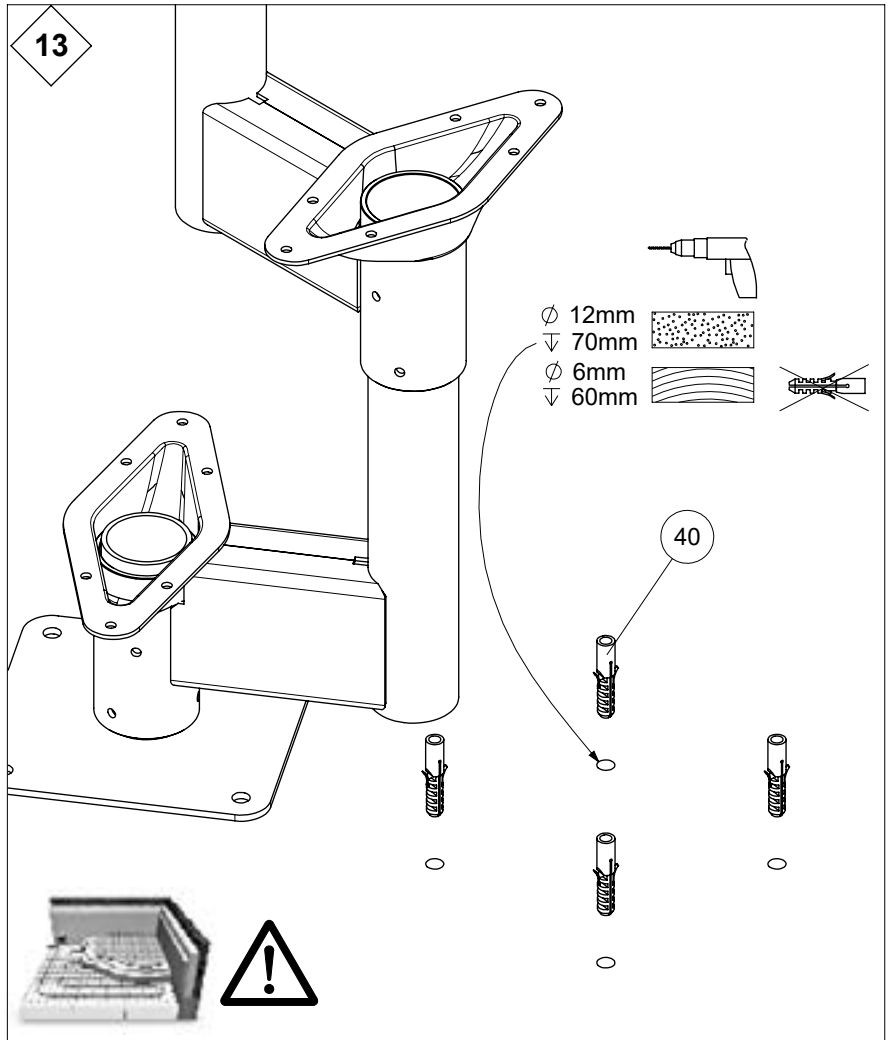
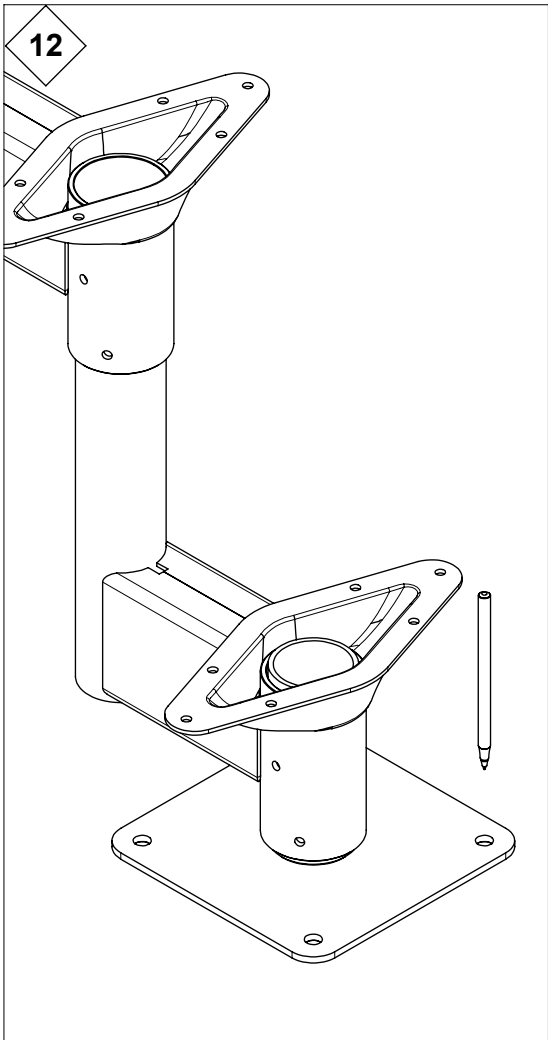


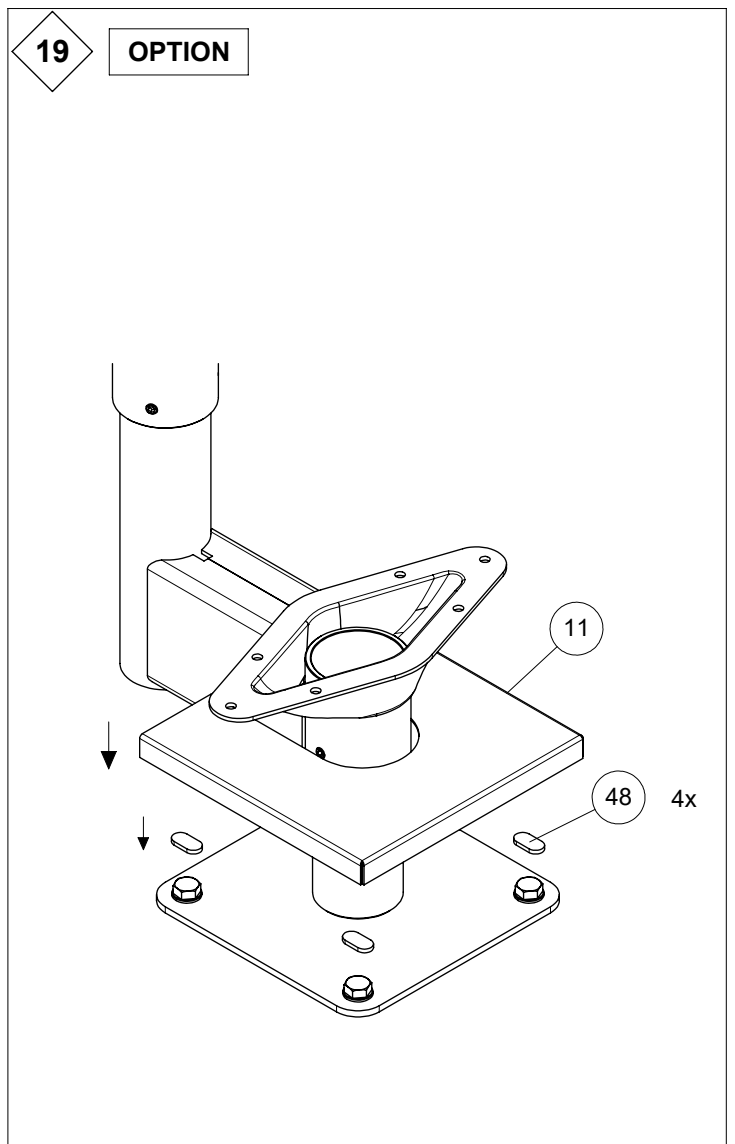
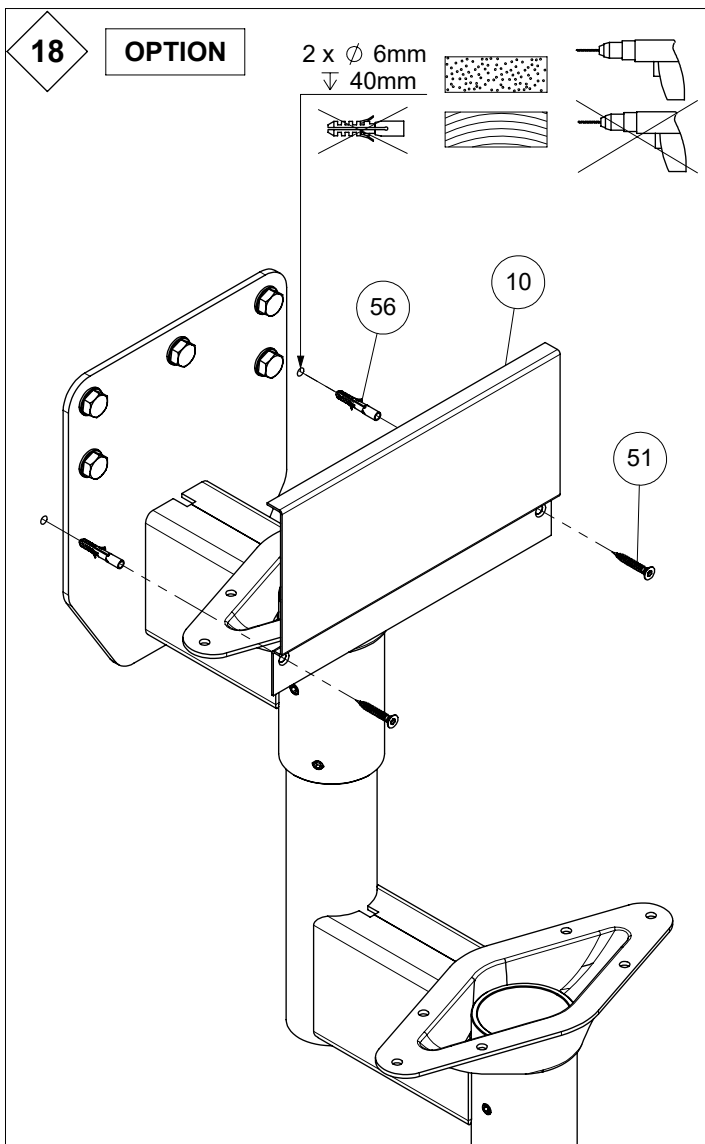
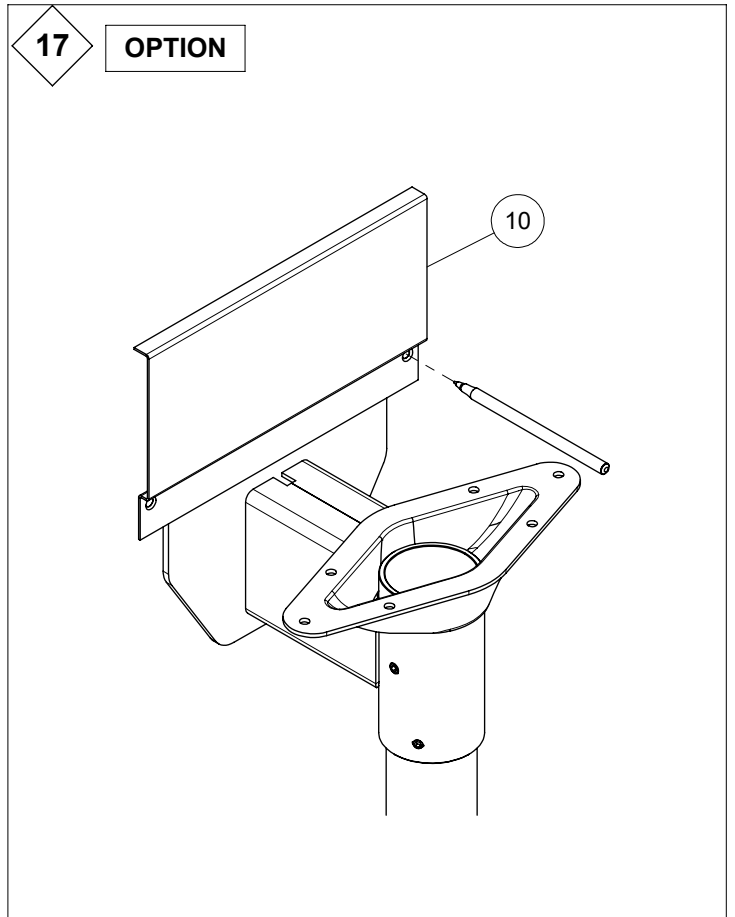
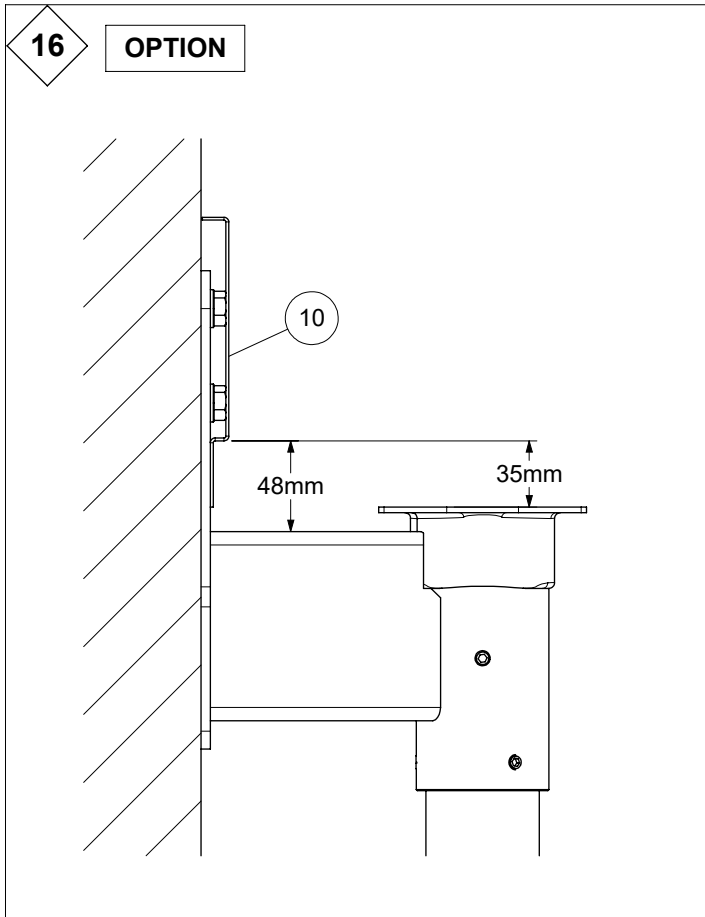
5



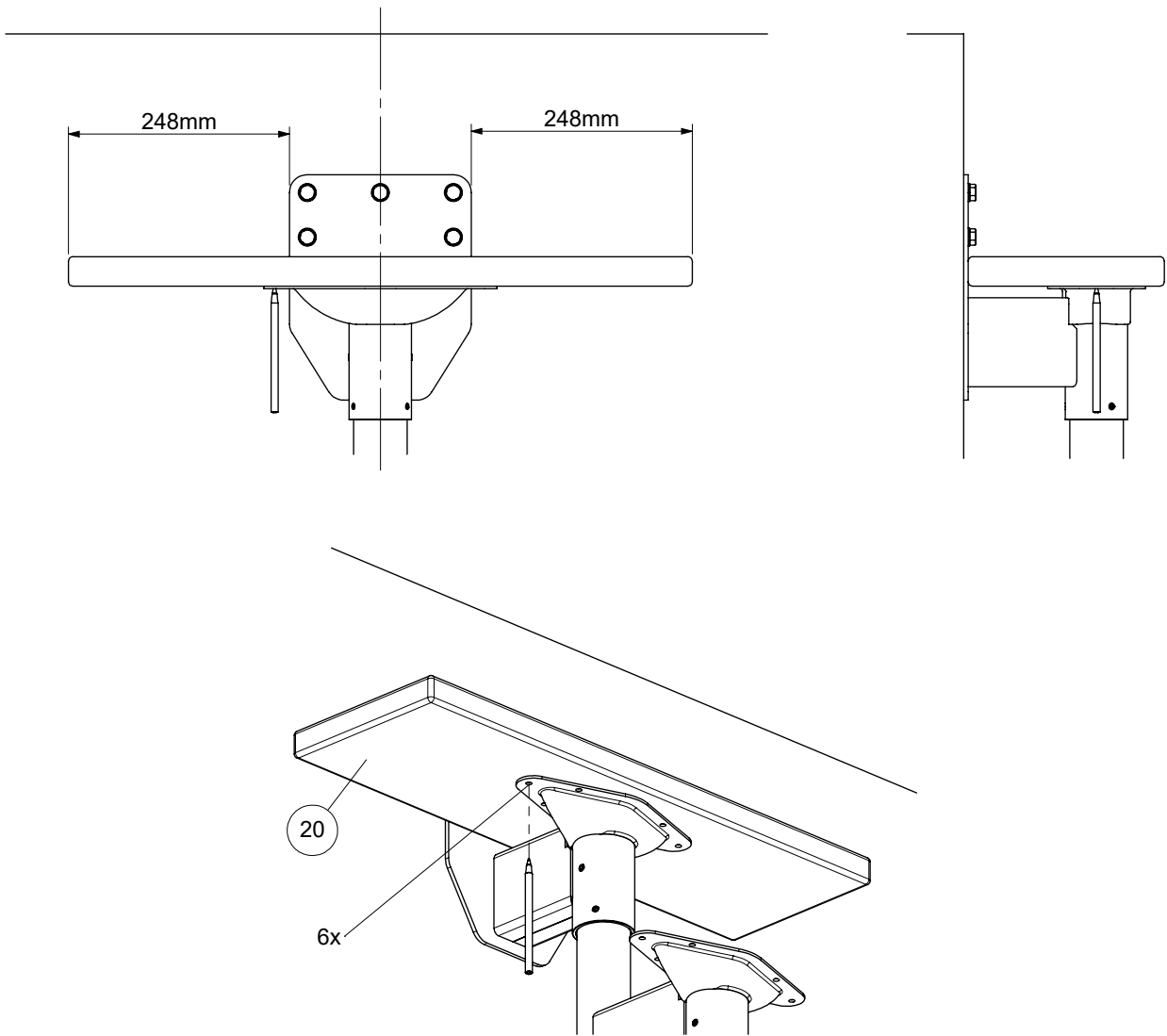




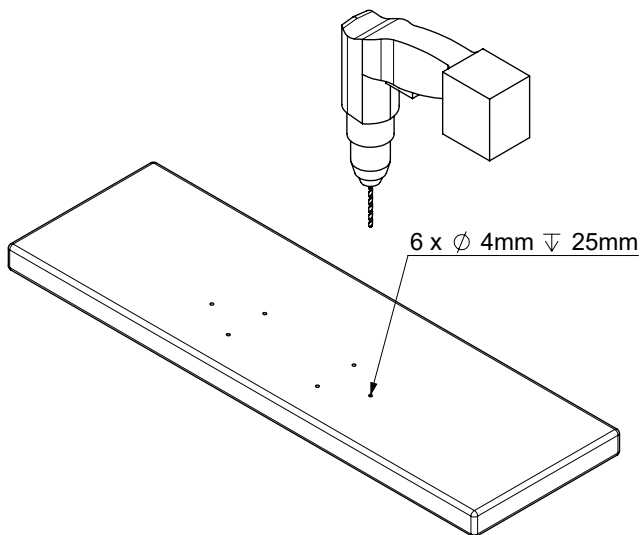




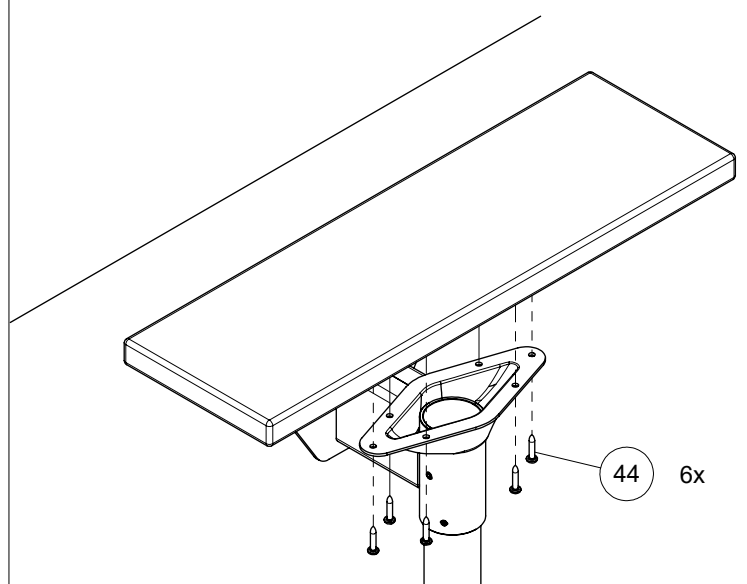
20

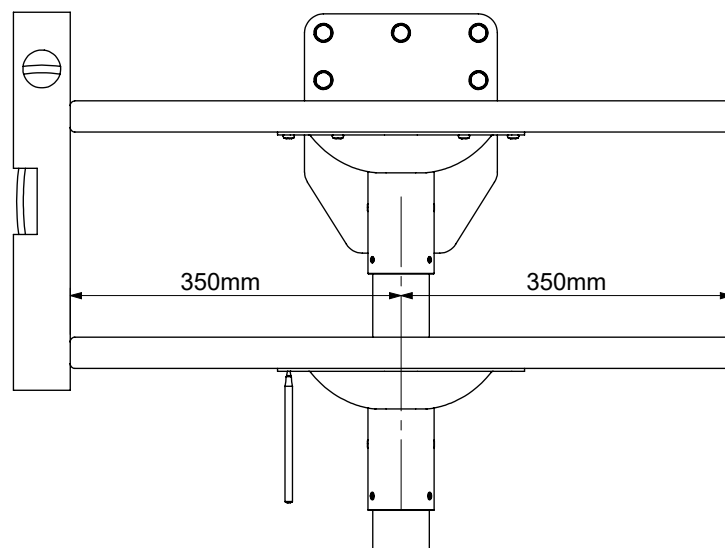
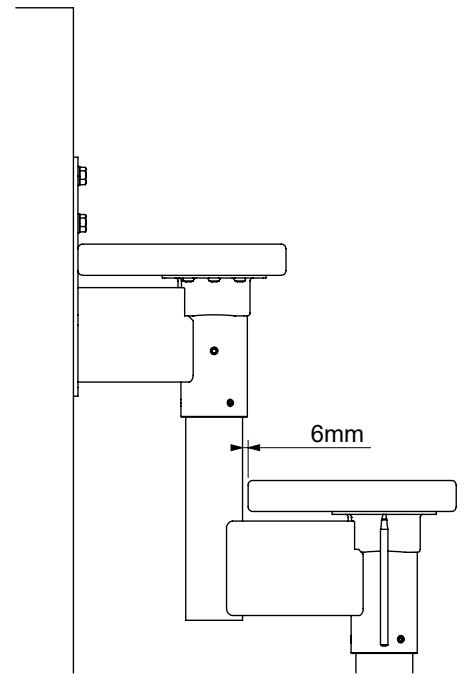
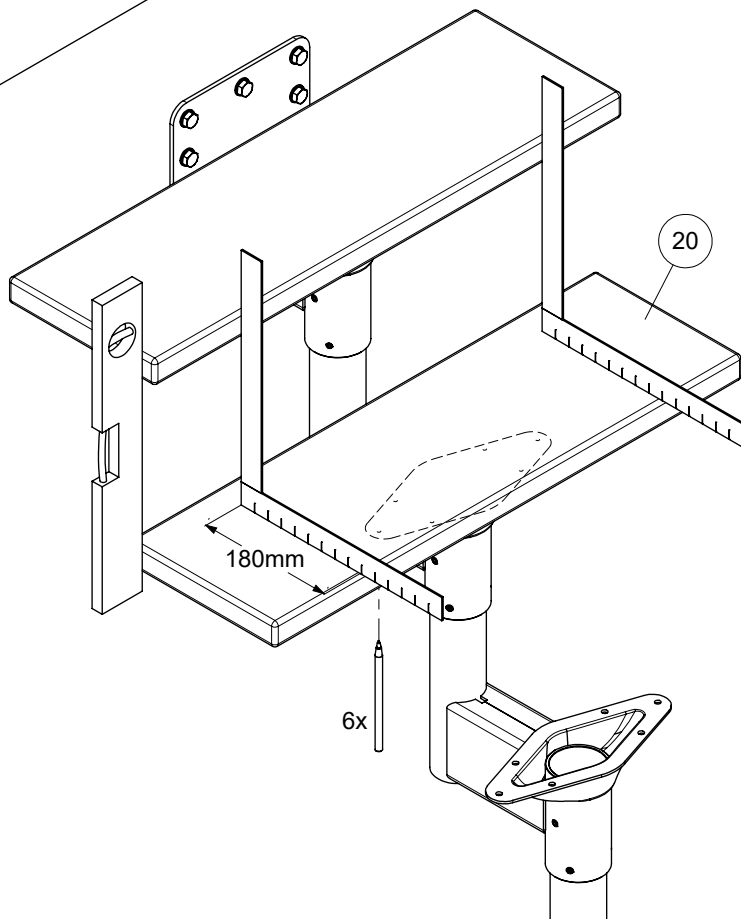


21

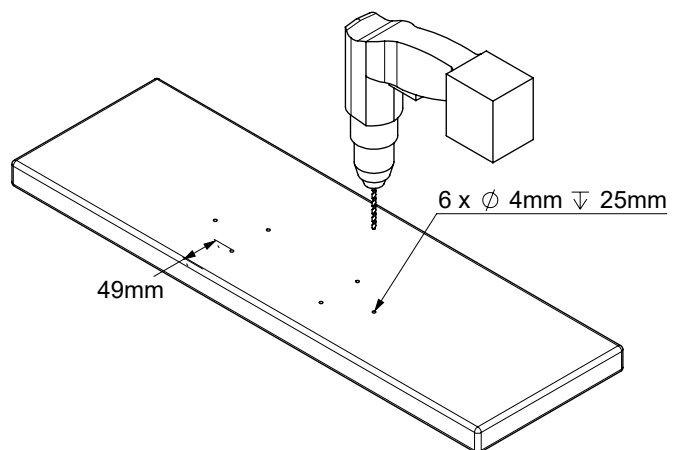


22

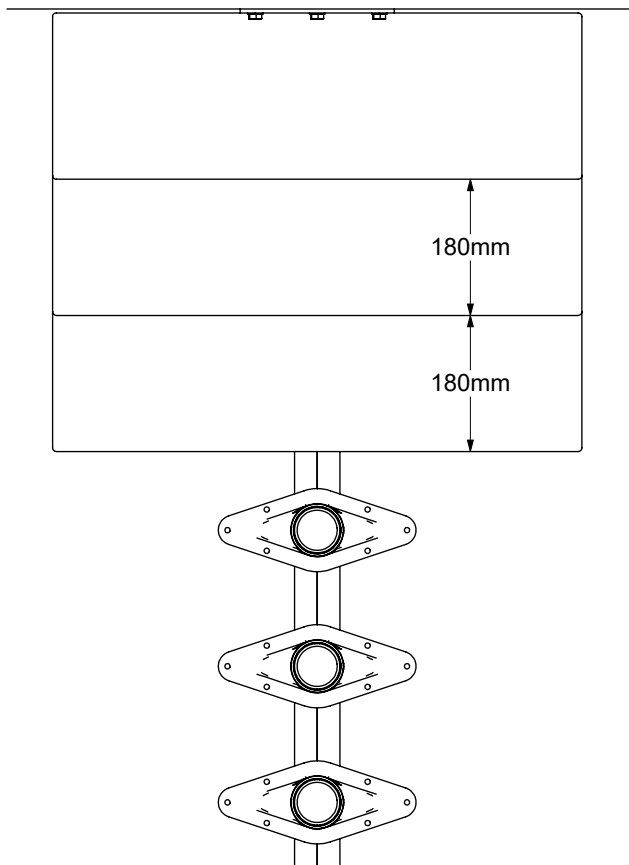




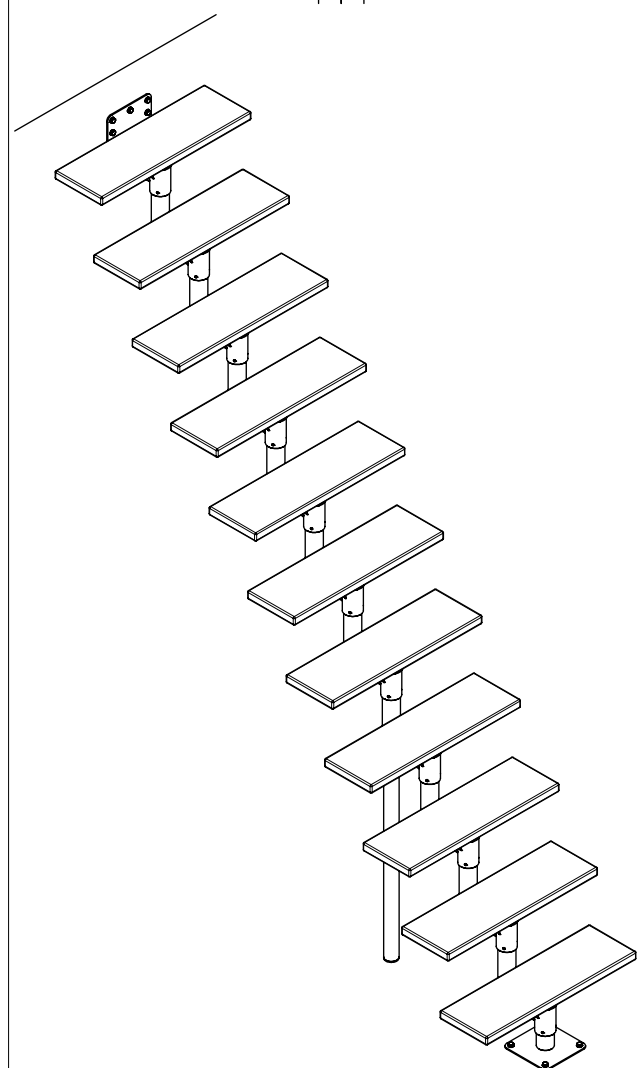
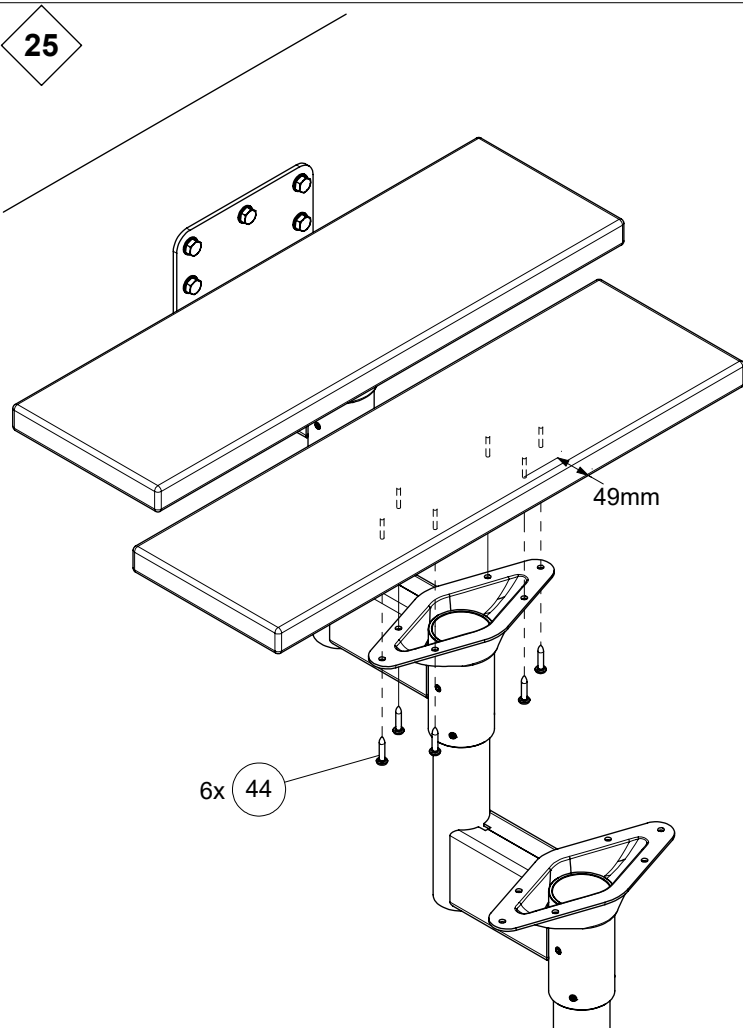
24

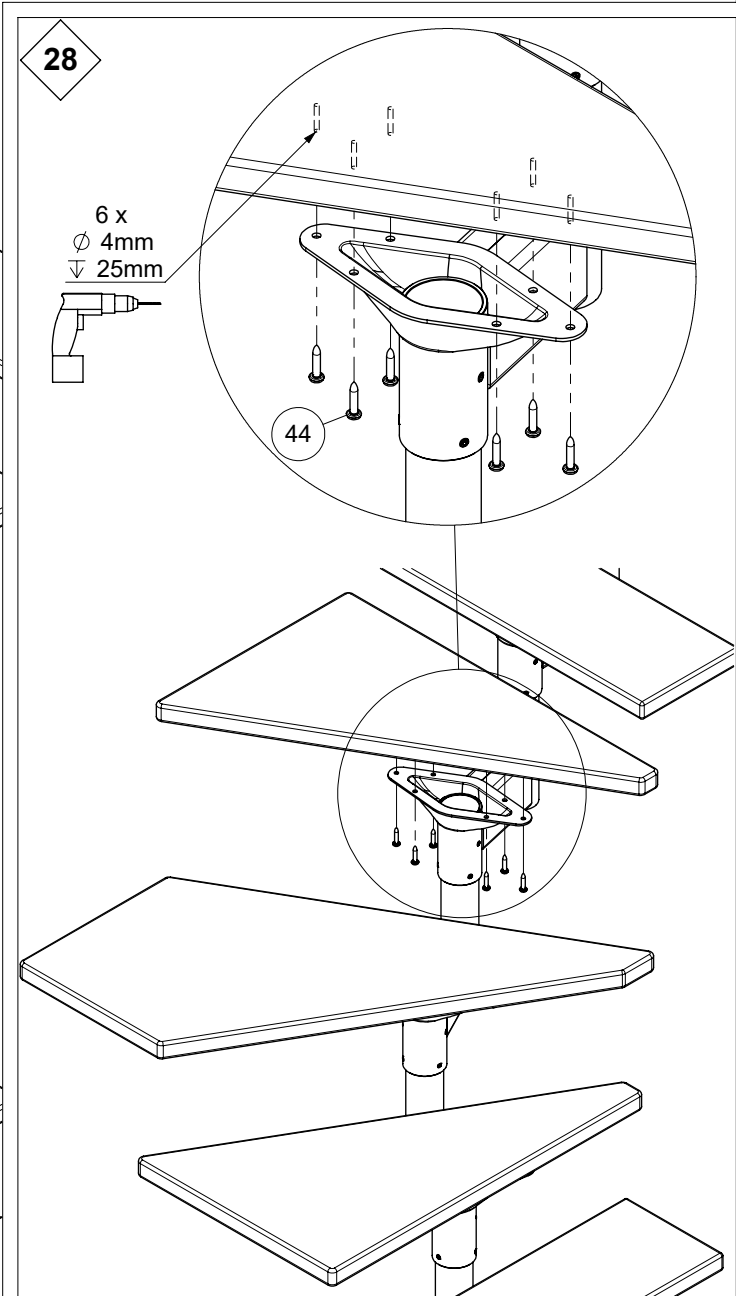
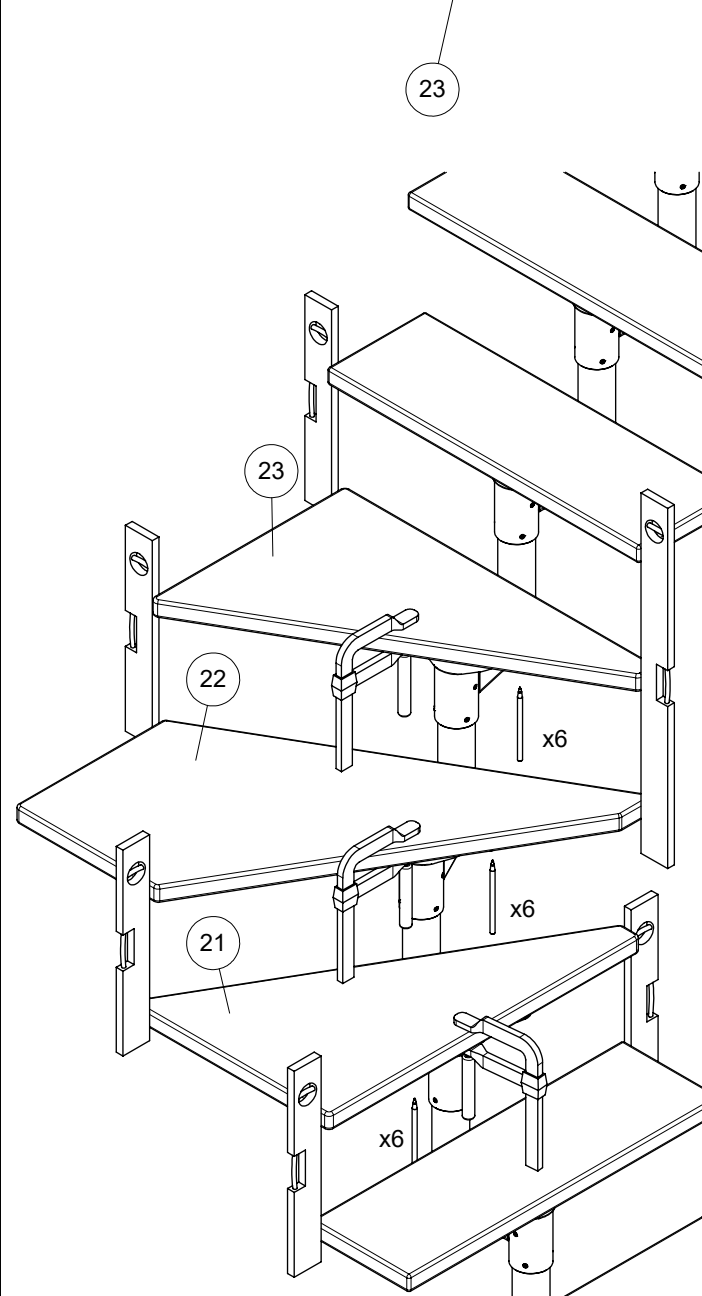
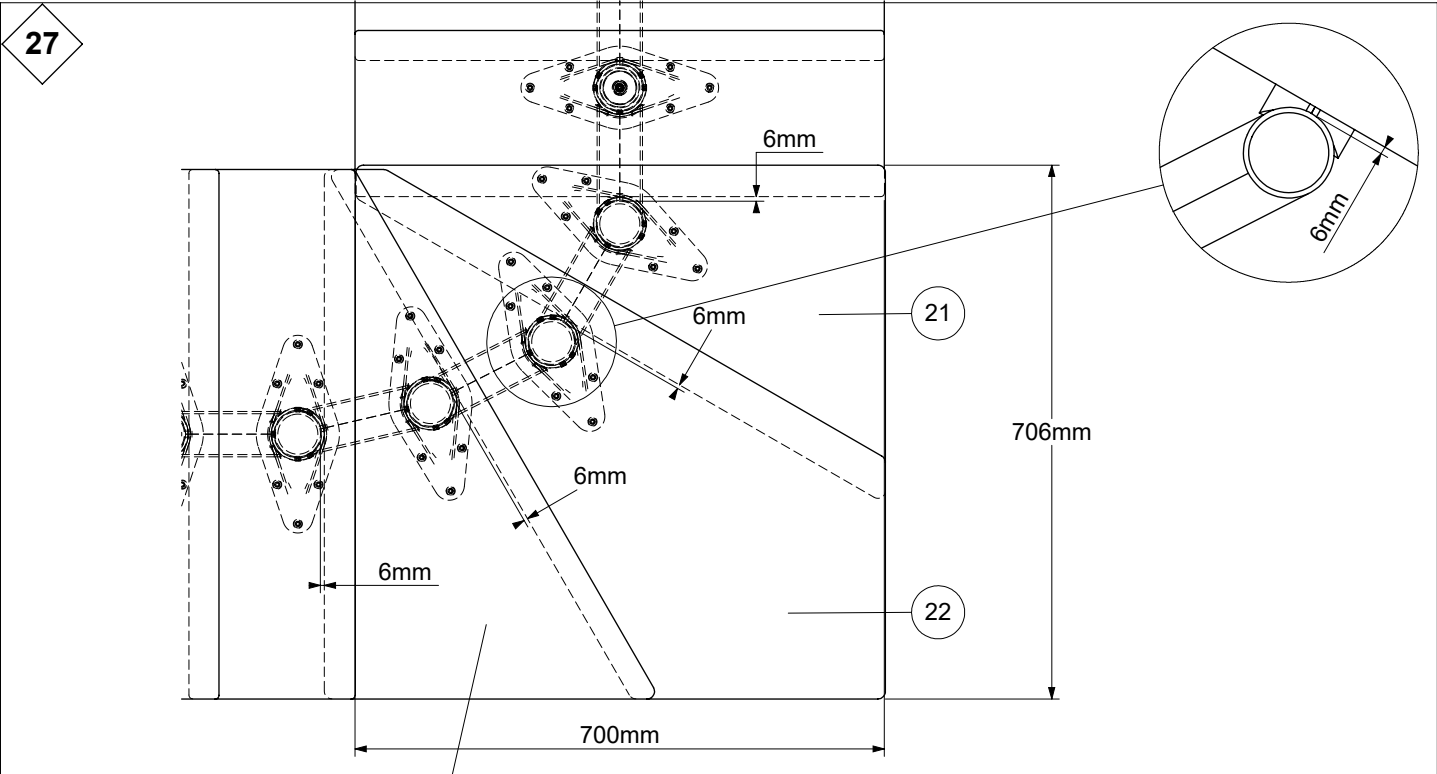


26



25

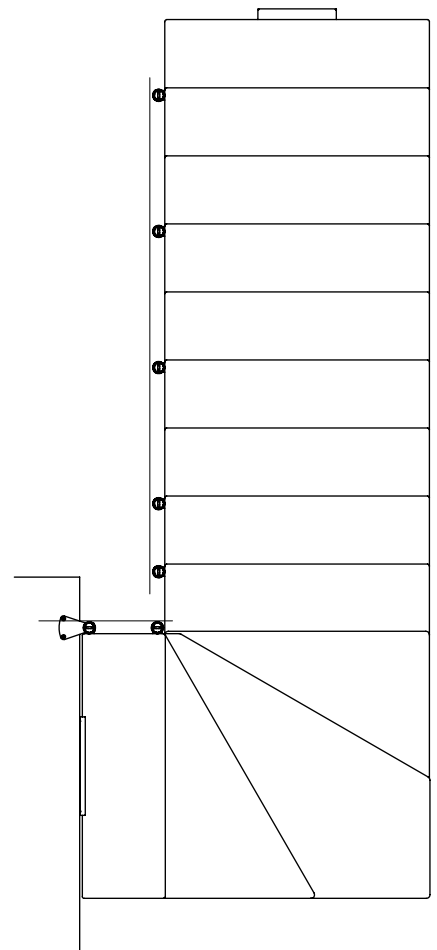
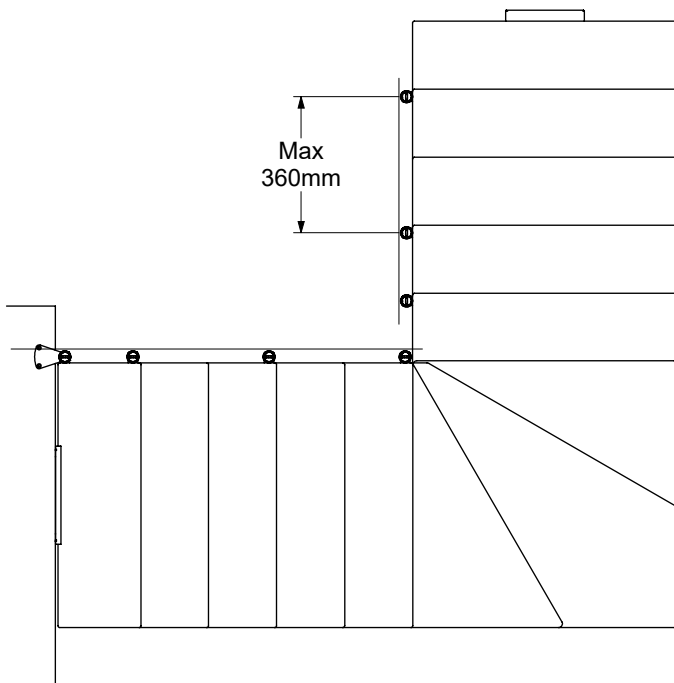
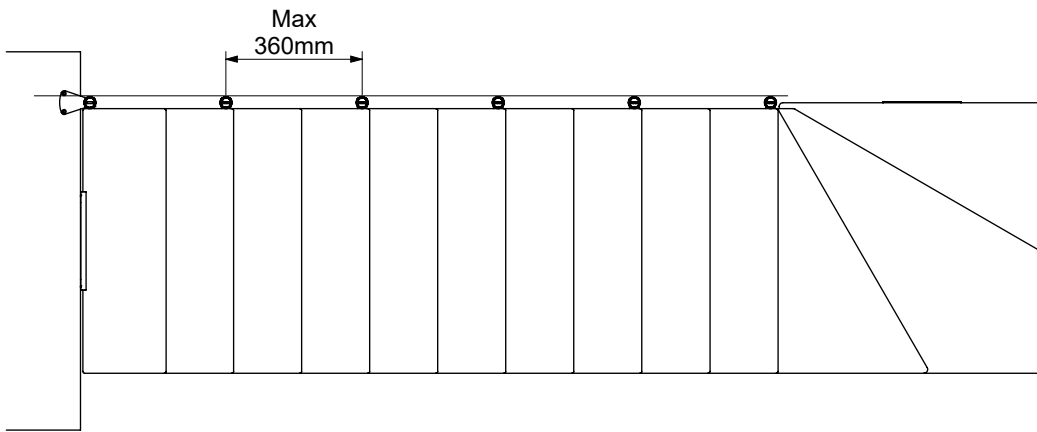
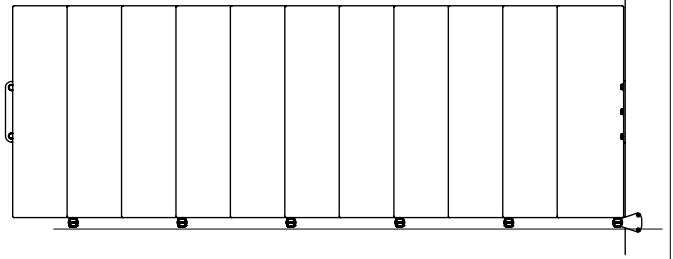
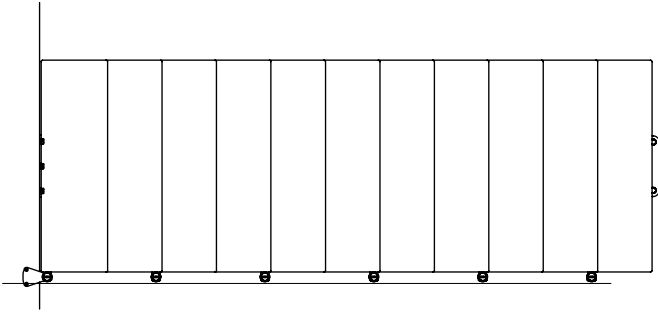


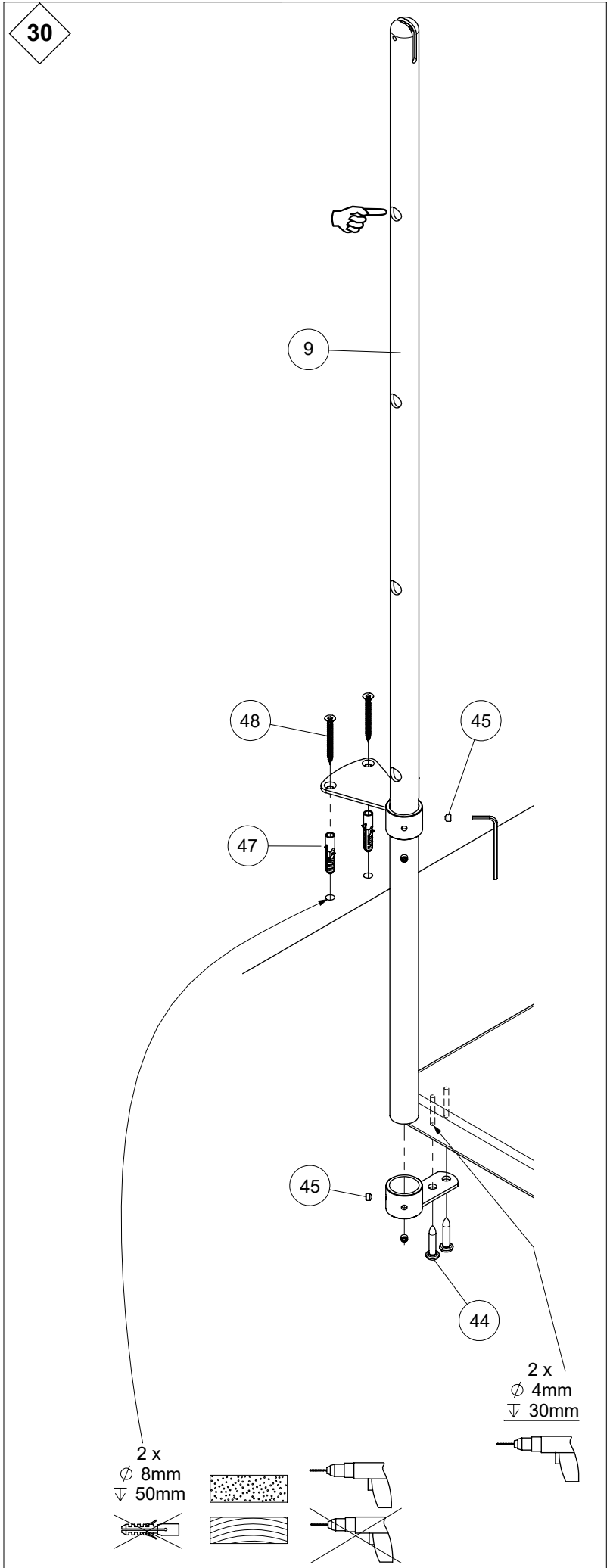
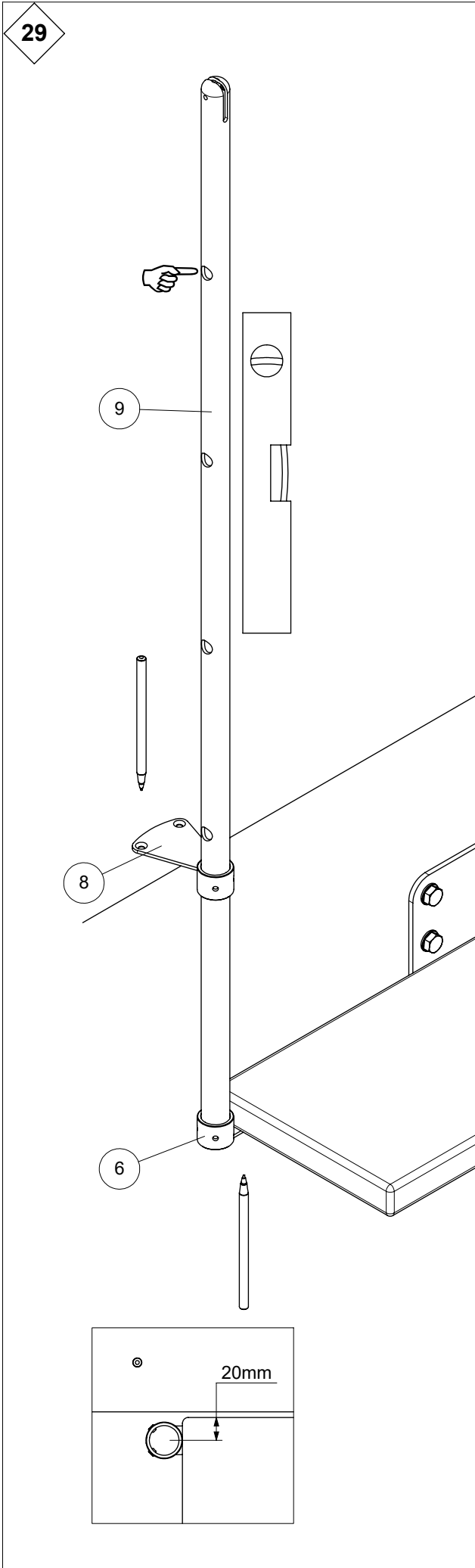


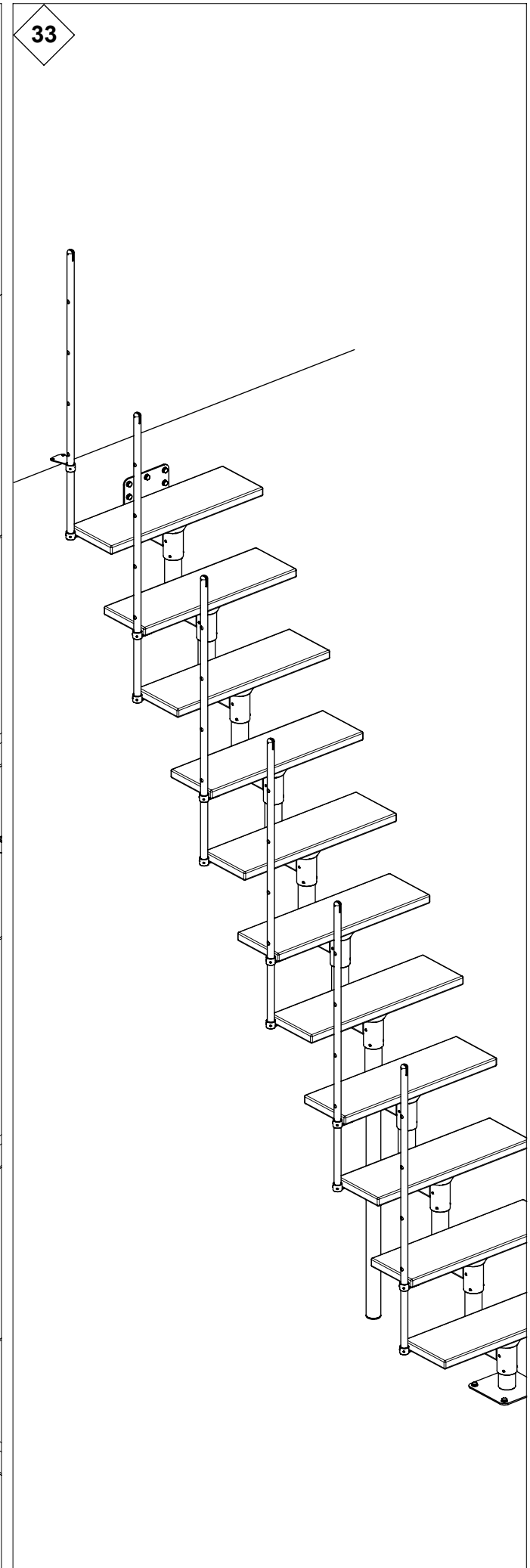
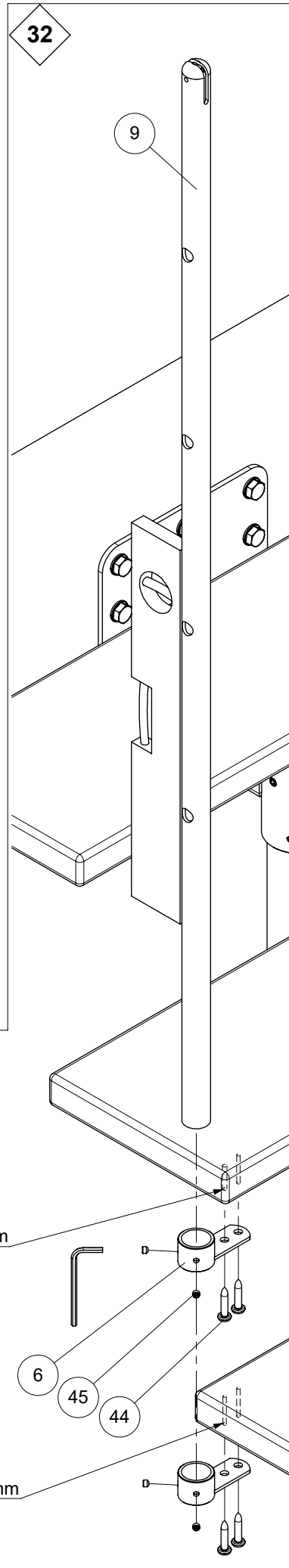
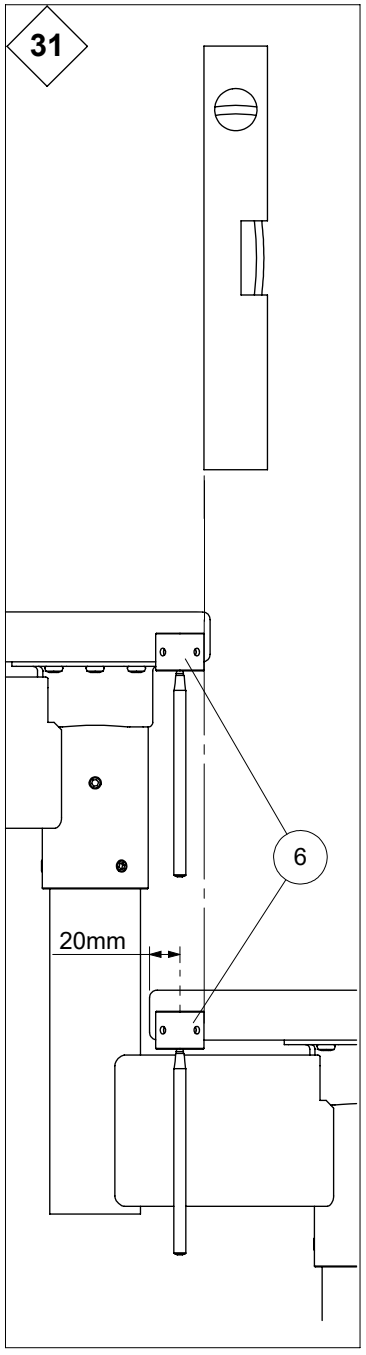


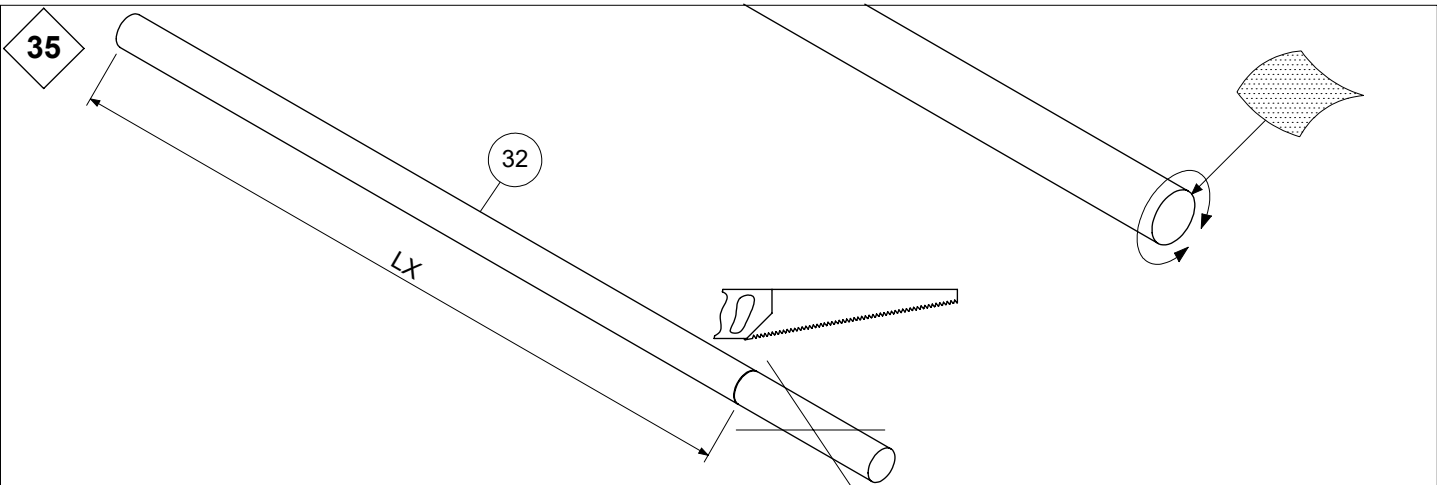
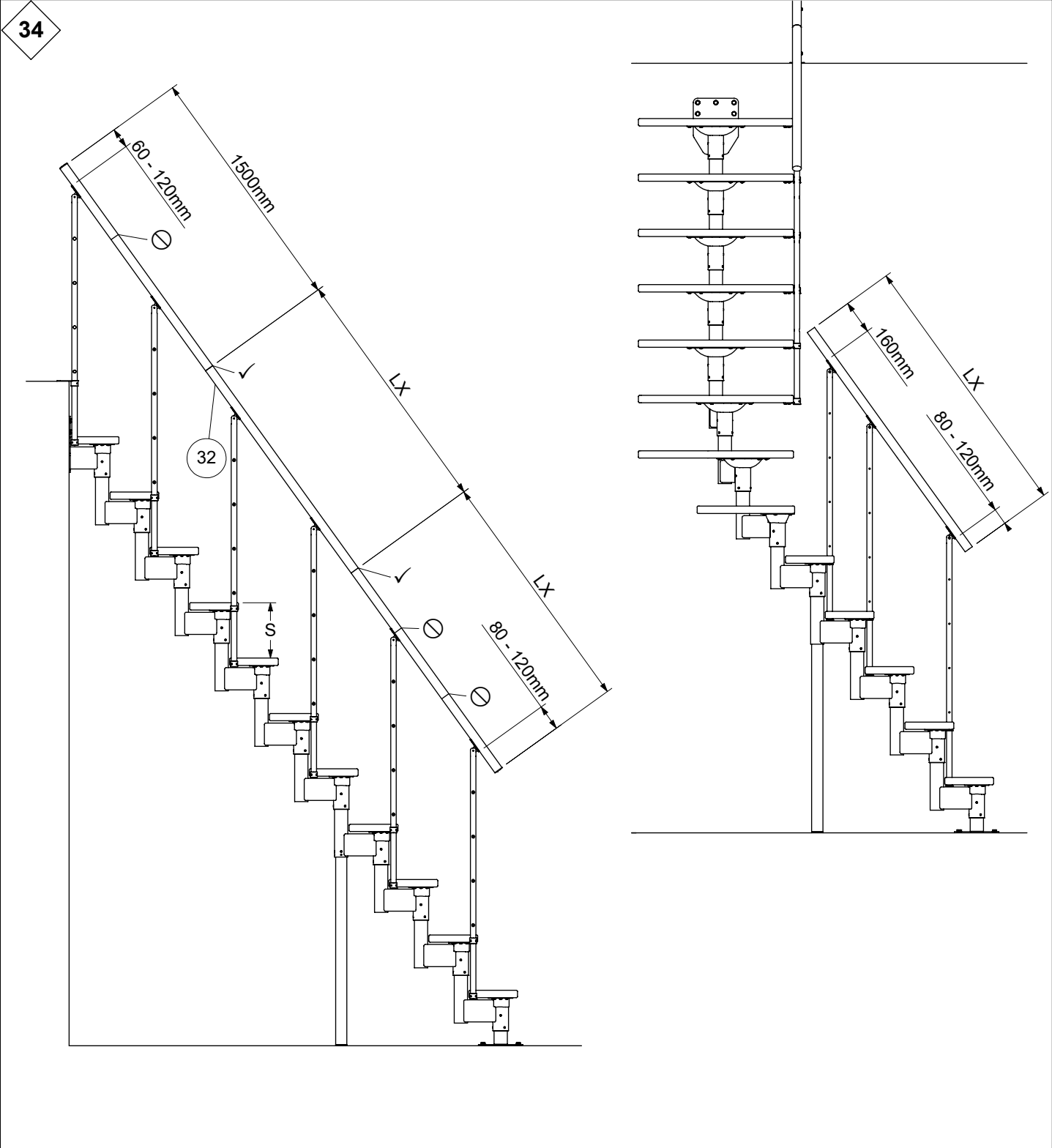
L

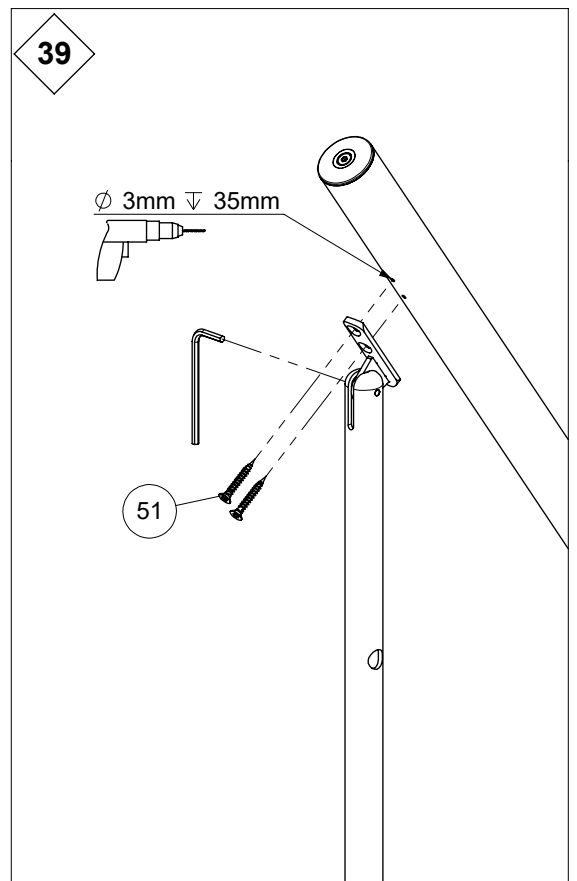
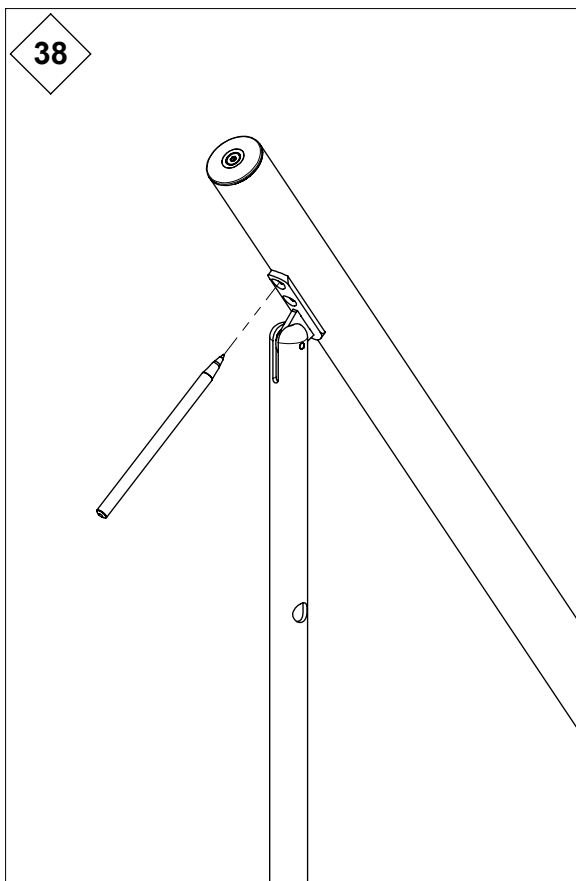
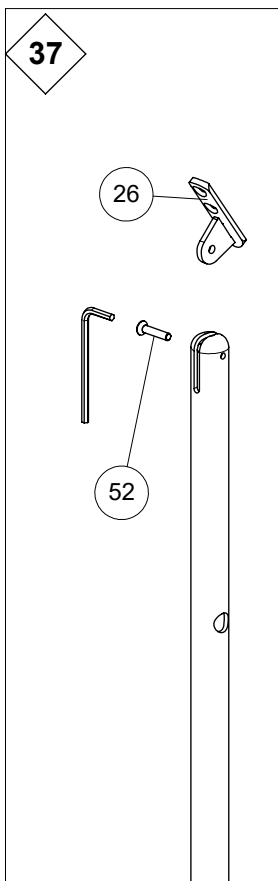
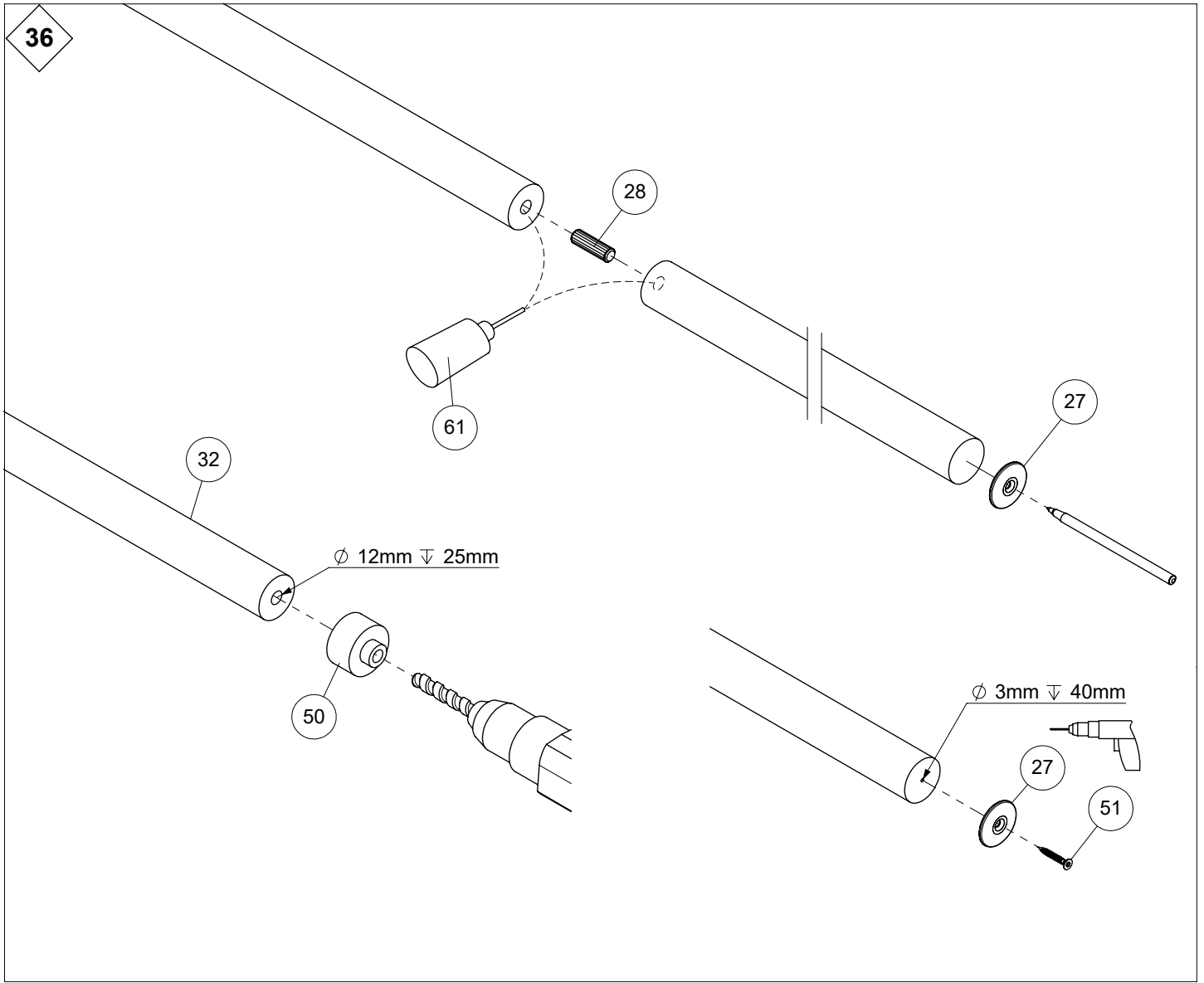
R

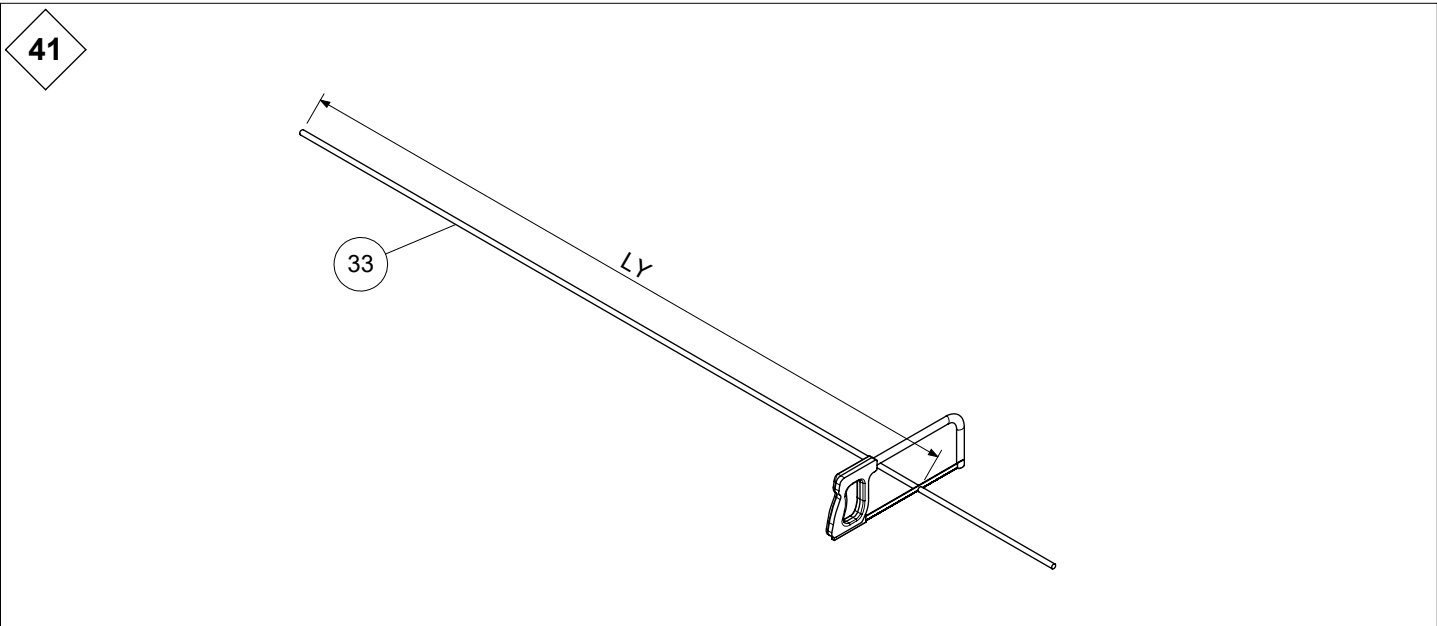
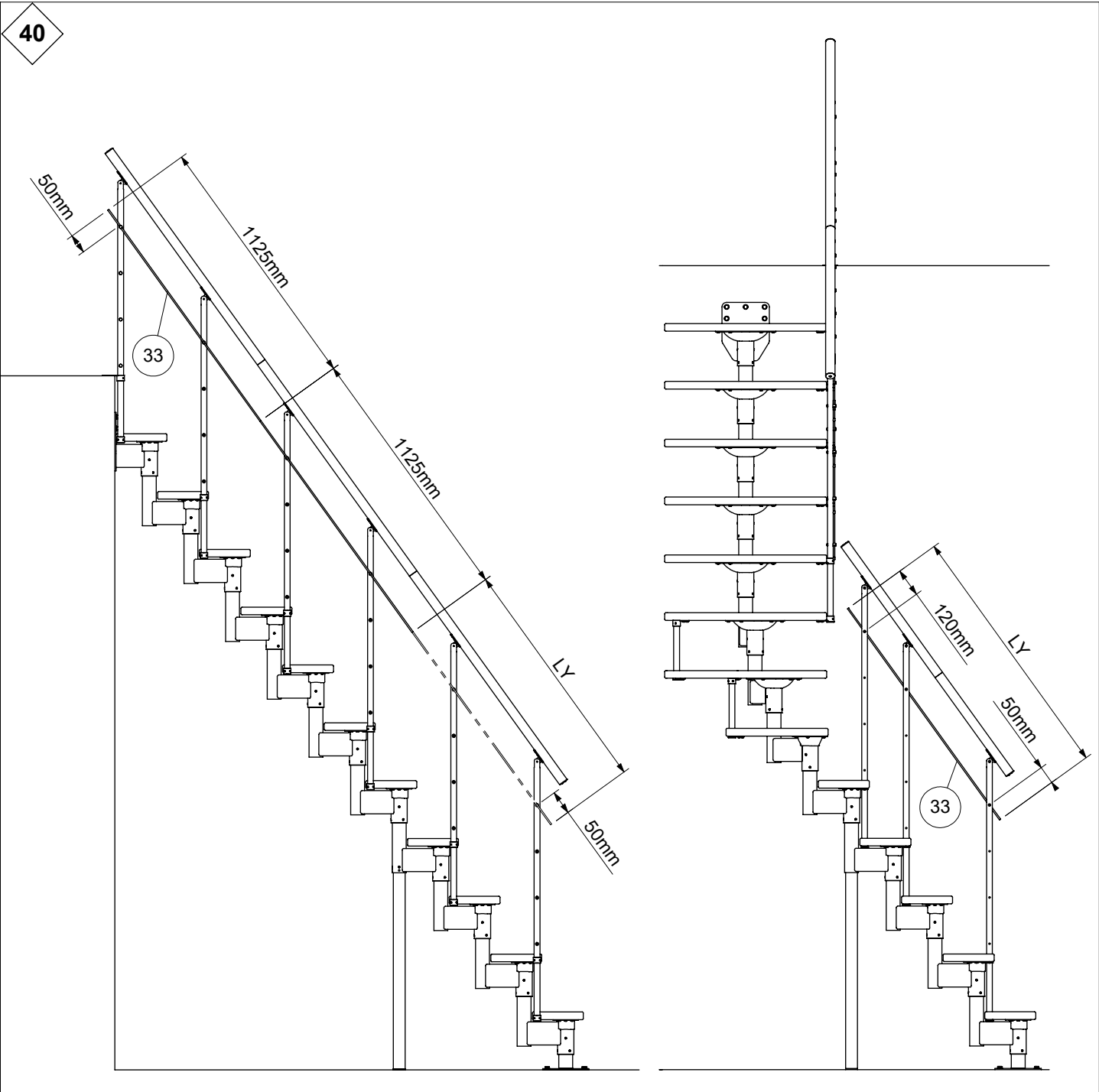


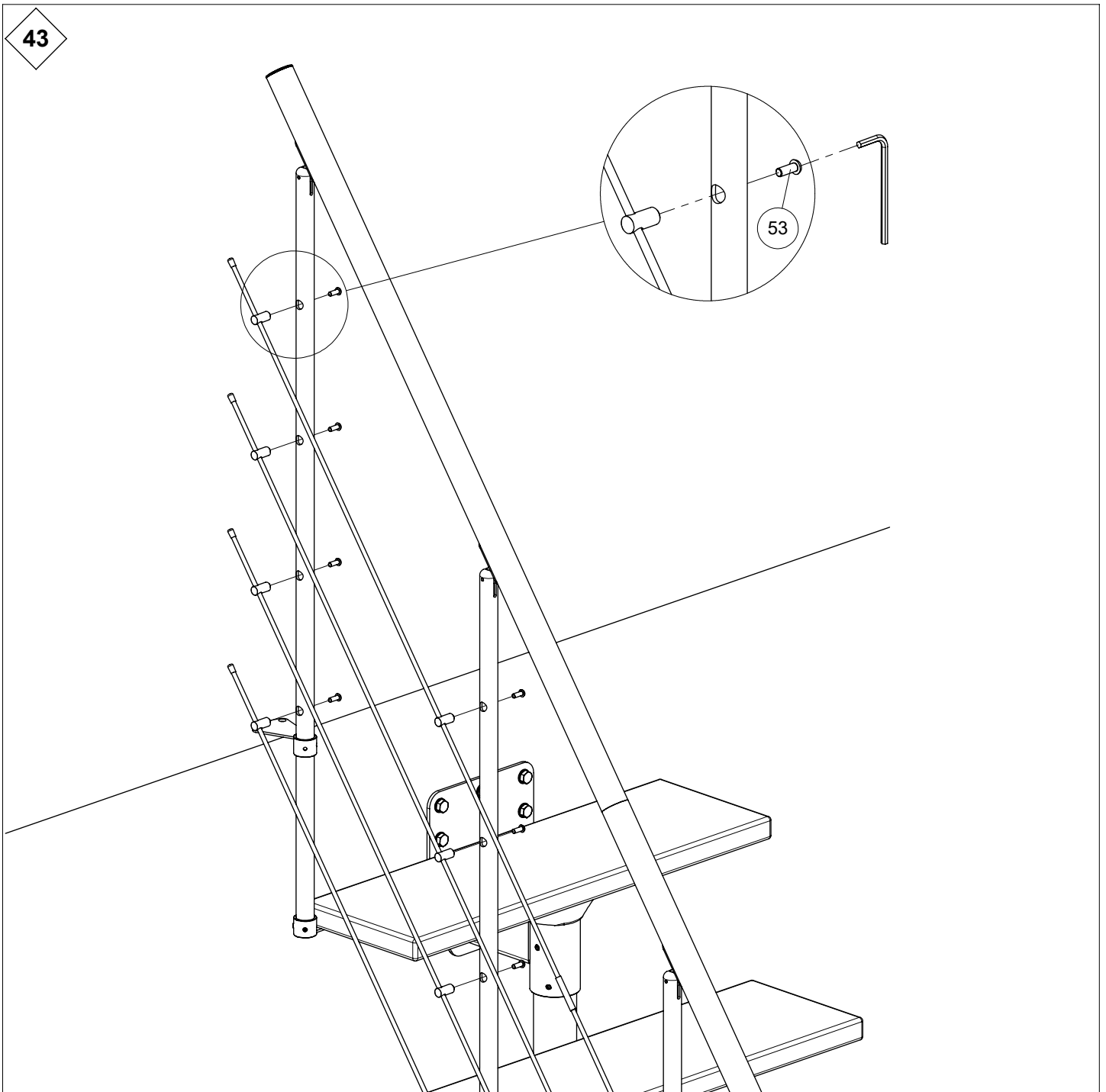
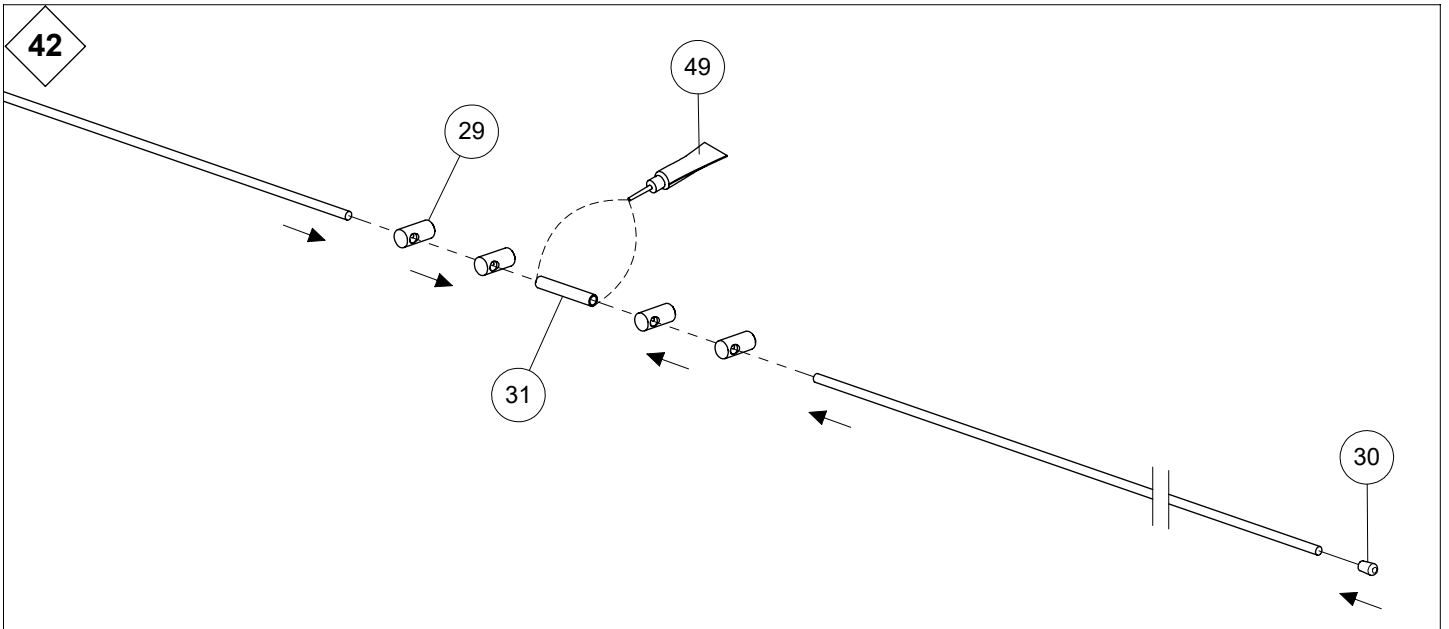




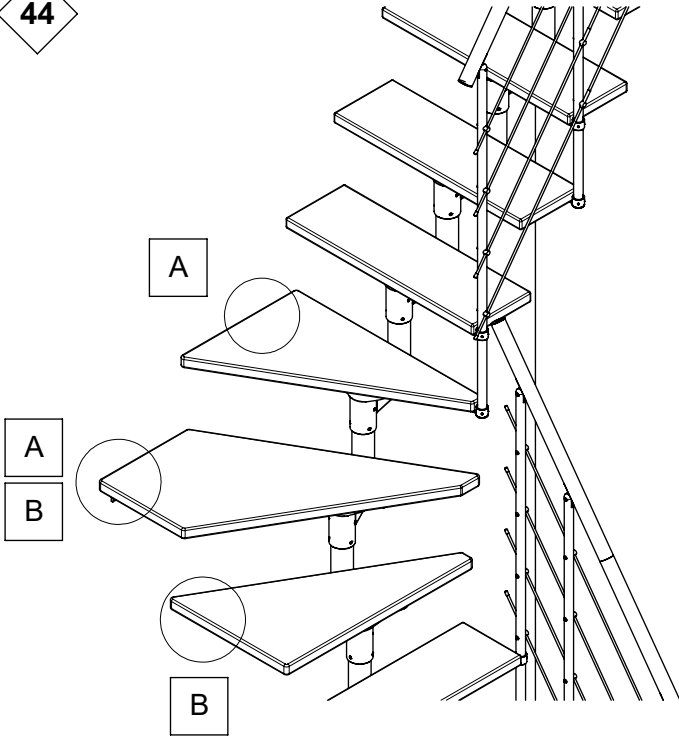








44



2 wall brackets must be mounted on a 1/4 turn staircase.

2 Wandhalterungen müssen auf einer 1/4-gewendelten Treppe montiert werden.

2 muurbeugels moeten gemonteerd worden op een 1/4 draai trap.

2 supports mural doivent être monté sur un escalier 1/4 tournant.

2 vægvinkler er påkrævet i en 1/4-svings-trappe.

