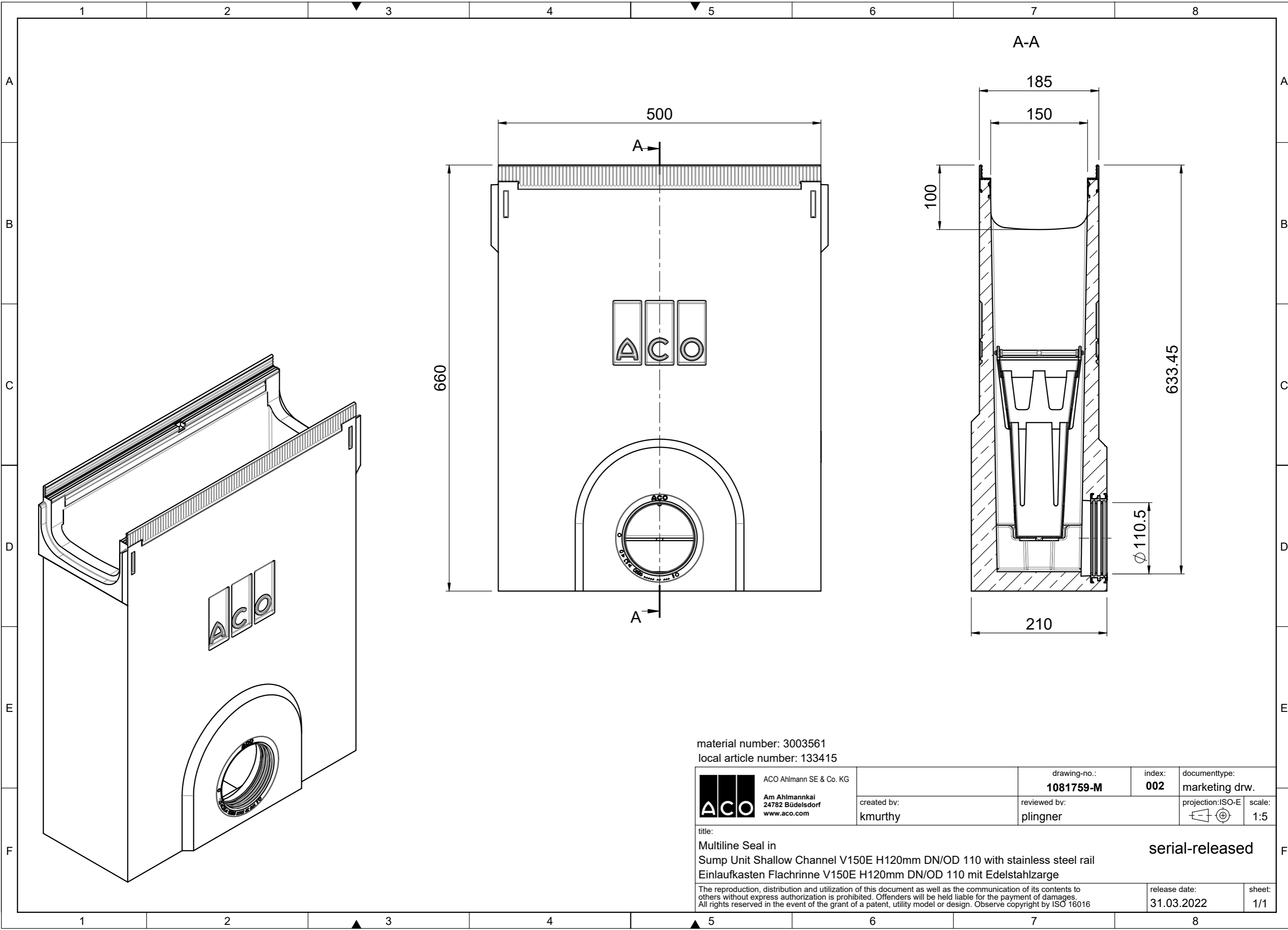

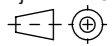


material number: 3000041
 local article number: 133315

 ACO Ahlmann SE & Co. KG Am Ahlmannkai 24782 Büdelsdorf www.aco.com	drawing-no.: 1072916-M	index: 004	documenttype: marketing drw.
	created by: kmurthy	reviewed by: plingner	projection: ISO-E 
title: Multiline Seal in Sump Unit Shallow Channel V150S H 120mm DN/OD 110 with galv. steel rail Einlaufkasten Flachrinne V150S DN110 120mm mit verzinkter stahlzarge			serial-released
<small>The reproduction, distribution and utilization of this document as well as the communication of its contents to others without express authorization is prohibited. Offenders will be held liable for the payment of damages. All rights reserved in the event of the grant of a patent, utility model or design. Observe copyright by ISO 16016</small>			release date: 23.02.2022
			sheet: 1/1



material number: 3003561
 local article number: 133415

 ACO Ahlmann SE & Co. KG Am Ahlmannkai 24782 Büdelsdorf www.aco.com	drawing-no.: 1081759-M	index: 002	documenttype: marketing drw.
	created by: kmurthy	reviewed by: plingner	projection: ISO-E 
title: Multiline Seal in Sump Unit Shallow Channel V150E H120mm DN/OD 110 with stainless steel rail Einlaufkasten Flachrinne V150E H120mm DN/OD 110 mit Edelstahlzarge			serial-released
<small>The reproduction, distribution and utilization of this document as well as the communication of its contents to others without express authorization is prohibited. Offenders will be held liable for the payment of damages. All rights reserved in the event of the grant of a patent, utility model or design. Observe copyright by ISO 16016</small>			release date: 31.03.2022
			sheet: 1/1